

# MST2 Series

## LED Sport Light

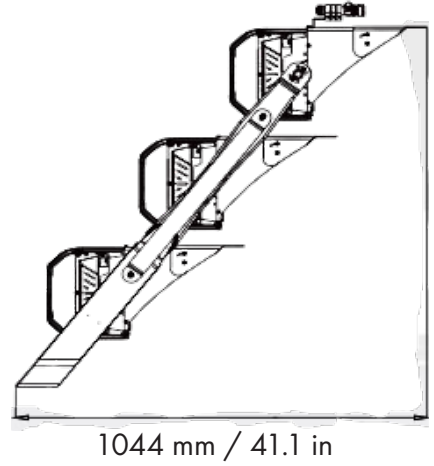
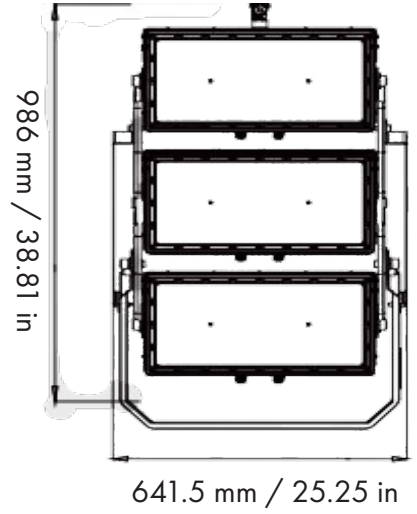
<b>Fixture Type:</b>
<b>Project Name</b>
<b>Location:</b>
<b>Date:</b>

### Features

- LED sports light, with high quality aluminum housing and zinc coating for corrosion resistance
- Light beam can be angled at 15°/30°/45°/60°/120°
- Included adjustable trunnion mount
- Optional laser aiming sight for optimal positioning
- Pivoting reflector hood, adjustable from 0° to 35°
- Effective heat dissipation vents to help cool driver



### Dimensions



### Product Performance Standard

<b>Size:</b>	25.25" x 41.1" x 38.81"	<b>Power Factor:</b>	95%
<b>Weight:</b>	132.28lbs	<b>LED Life Span:</b>	50,000 Hrs
<b>IP Rate:</b>	IP66	<b>Dimmable:</b>	1-10V Dimmable
<b>Color Temp:</b>	2700-5000K RGB/RGBW	<b>THD:</b>	<15%
<b>CRI:</b>	80	<b>Warranty:</b>	5 Years
<b>Input Voltage:</b>	120-277V	<b>Ambient Operation Temperature:</b>	-40C° (-40°F) ~50C° (122°F)

### Ordering Guide Example: MST2-1500W-27K-15-LA

Fixture Type	Wattage	Color Temp.	Voltage	Beam Angle	Finish	Optional Accessories
MST2-	1500W	27K = 2700K	Blank = 120-277V	15 = 15°	Blank = Silver	Blank = No Accessories
	1800W	30K = 3000K	HV = 277-480V	30 = 30°		LA = Laser Aiming Sight
		40K = 4000K		45 = 45°		
		50K = 5000K		60 = 60°		
		RGB		120 = 120°		
		RGBW				

# MST2 Series

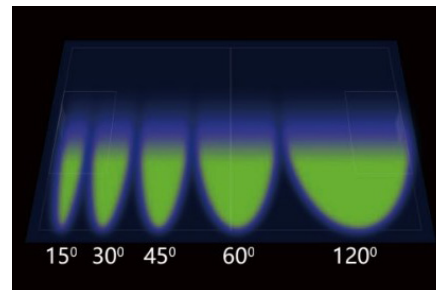
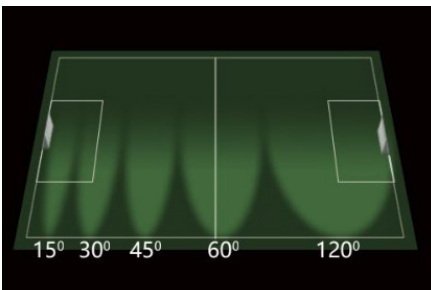
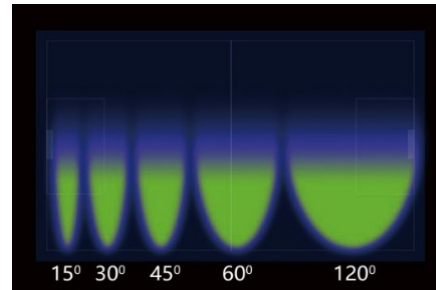
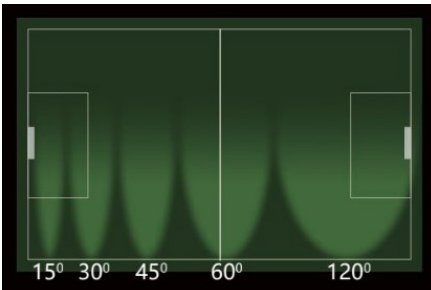
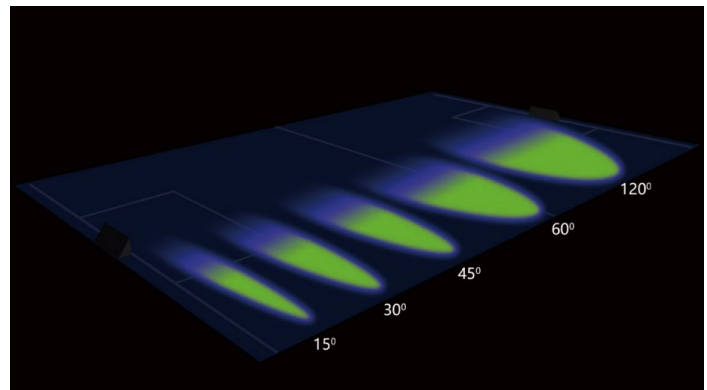
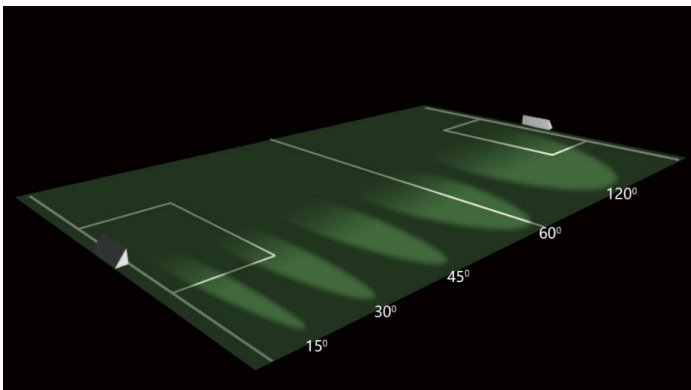
LED Sport Light

<b>Fixture Type:</b>
<b>Project Name</b>
<b>Location:</b>
<b>Date:</b>

## Performance Data

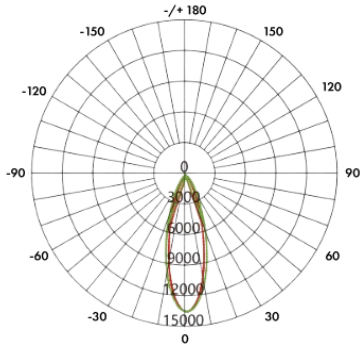
WATTAGE	EPA	5000K	
		LUMEN	EFFICACY
1500W	2.74	195,000lm	130 lumens/watt
1800W	2.74	234,000lm	130 lumens/watt

## Distribution Type

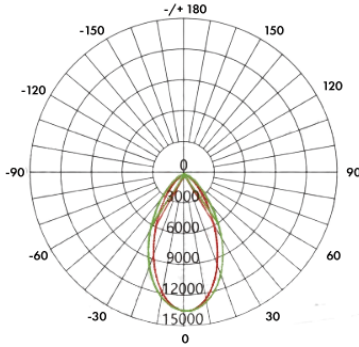


<b>Fixture Type:</b>
<b>Project Name</b>
<b>Location:</b>
<b>Date:</b>

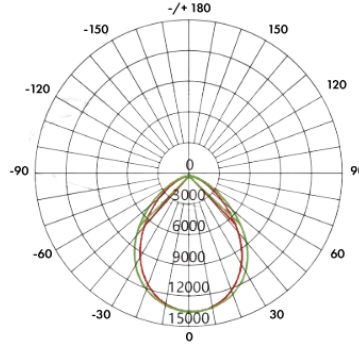
**Distribution Type**



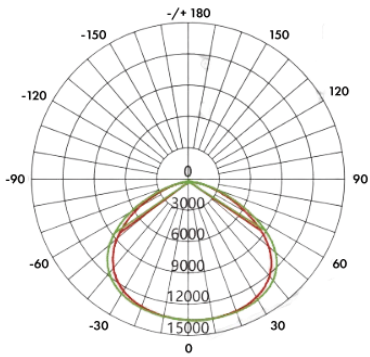
15° Beam Angle



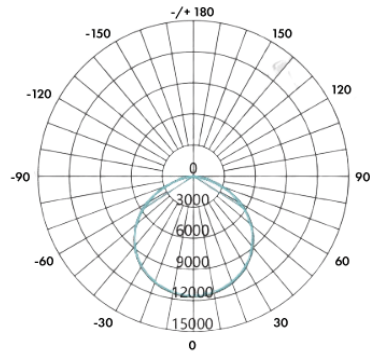
30° Beam Angle



45° Beam Angle



60° Beam Angle



120° Beam Angle

**Optional Accessories**



**Laser Aiming Sight**

- SKU: LASERAIMINGSIGHT
- Our laser aiming device provides precise control in angling and aiming to your exact optimal positioning