

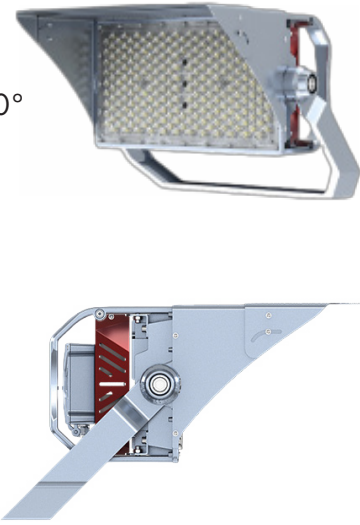
# MST2 Series

## LED Sport Light

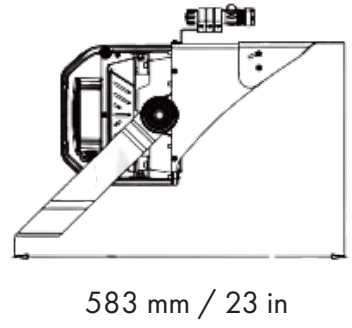
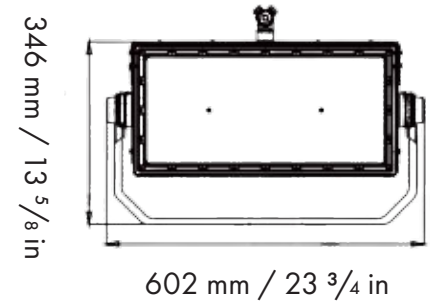
<b>Fixture Type:</b>
<b>Project Name</b>
<b>Location:</b>
<b>Date:</b>

### Features

- LED sports light, with high quality aluminum housing and zinc coating for corrosion resistance
- Light beam can be angled at 15°/30°/45°/60°/120°
- Included adjustable trunnion mount
- Optional laser aiming sight for optimal positioning
- Pivoting reflector hood, adjustable from 0° to 35°
- Effective heat dissipation vents to help cool driver



### Dimensions



### Product Performance Standard

<b>Size:</b>	23 3/4" x 23" x 13 5/8"	<b>Power Factor:</b>	95%
<b>Weight:</b>	44lbs	<b>LED Life Span:</b>	50,000 Hrs
<b>IP Rate:</b>	IP66	<b>Dimmable:</b>	1-10V Dimmable
<b>Color Temp:</b>	2700-5000K RGB/RGBW	<b>THD:</b>	<15%
<b>CRI:</b>	80	<b>Warranty:</b>	5 Years
<b>Input Voltage:</b>	120-277V or 277-480V	<b>Ambient Operation Temperature:</b>	-40C° (-40°F) ~50C° (122°F)

### Ordering Guide Example: MST2-400W-27K-15-LA

Fixture Type	Wattage	Color Temp.	Voltage	Beam Angle	Finish	Optional Accessories
MST2-	400W	27K = 2700K	Blank = 120-277V	15 = 15°	Blank = Silver	Blank = No Accessories
	500W	30K = 3000K	HV = 277-480V	30 = 30°		LA = Laser Aiming Sight
	650W	40K = 4000K		45 = 45°		
		50K = 5000K		60 = 60°		
		RGB		120 = 120°		
		RGBW				

# MST2 Series

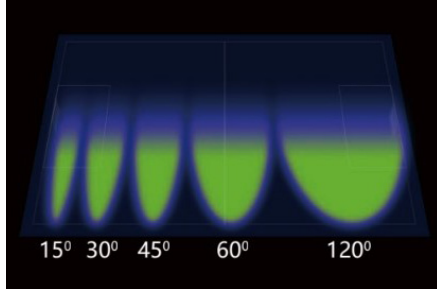
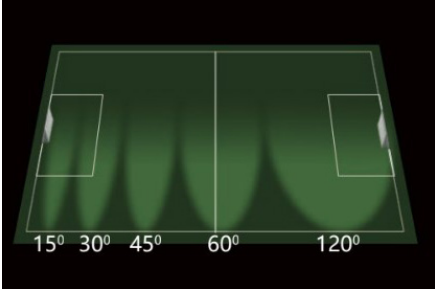
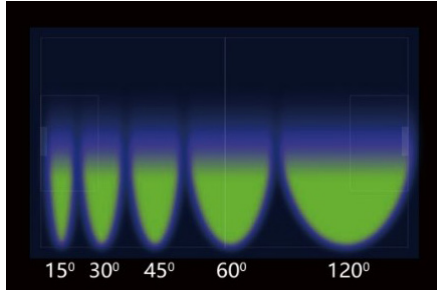
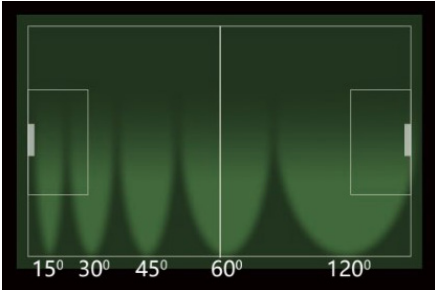
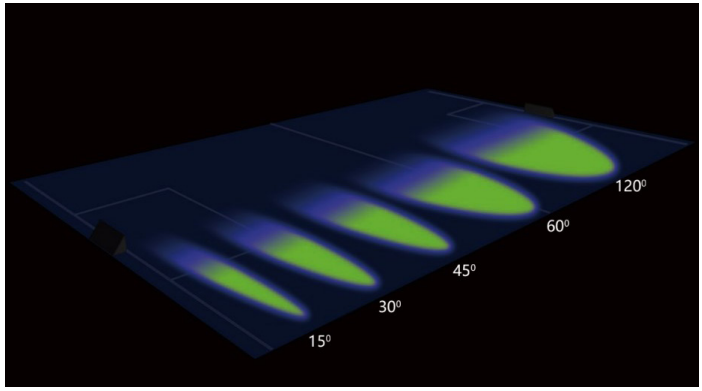
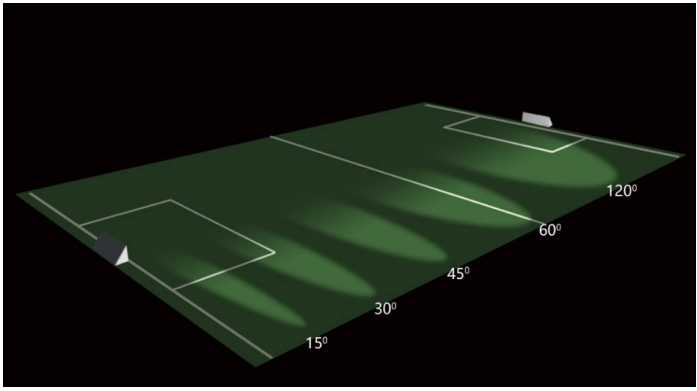
LED Sport Light

<b>Fixture Type:</b>
<b>Project Name</b>
<b>Location:</b>
<b>Date:</b>

## Performance Data

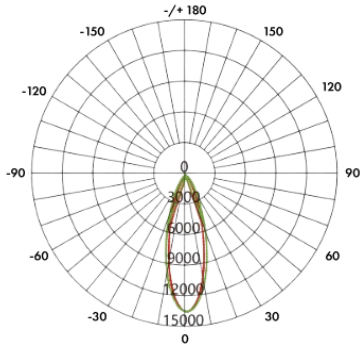
WATTAGE	EPA	5000K	
		LUMEN	EFFICACY
400W	0.81	52000lm	130 lumens/watt
500W	0.81	65000lm	130 lumens/watt
650W	0.81	84500lm	130 lumens/watt

## Distribution Type

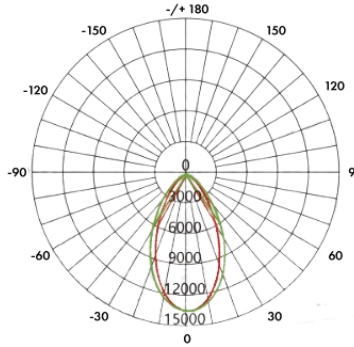


<b>Fixture Type:</b>
<b>Project Name</b>
<b>Location:</b>
<b>Date:</b>

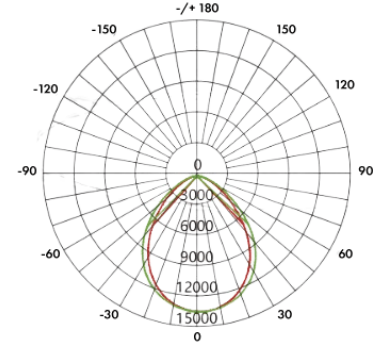
## Distribution Type



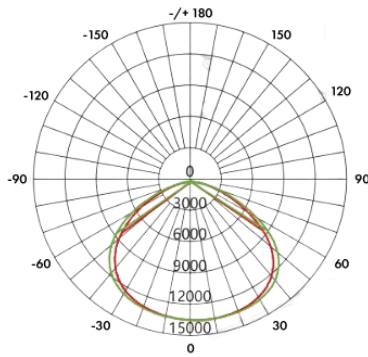
15° Beam Angle



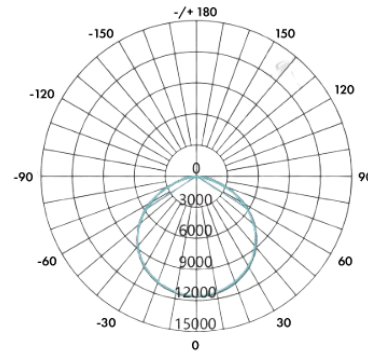
30° Beam Angle



45° Beam Angle



60° Beam Angle



120° Beam Angle

## Optional Accessories



### Laser Aiming Sight

- SKU: LASERAIMINGSIGHT
- Our laser aiming device provides precise control in angling and aiming to your exact optimal positioning