

# CNP3 Series

High Lumen Output LED Square Canopy Wattage Selectable and 3CCT

**Fixture Type:**

**Project Name**

**Location:**

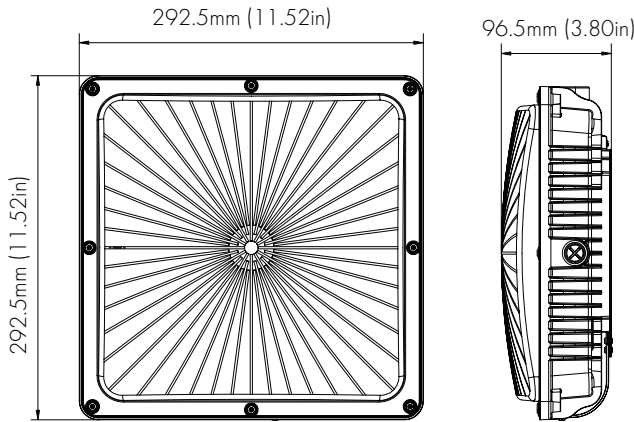
**Date:**

## Features

- LED square canopy provides a high level of brightness, up to 16,000 lumen only consuming 110Watts, ensures energy efficiency while still providing sufficient brightness.
- With 4 lumen package selectable and 3CCT adjustable, providing options for varying levels of brightness to suit specific lighting requirements.
- Built with a sturdy aluminum housing, ensuring durability and resistance to harsh weather conditions, impacts and corrosion.
- Effective heat dissipation mechanisms are integrated into the design to prevent overheating and ensure the longevity and reliability of the LEDs.
- A corrosion-resistant powder coating with dark bronze finish further enhances its durability.
- Come with a quick mounting plate, simplifying the installation process for surface mount application. Optional 3/4" conduit pendent mount.
- 1/2" knockout holes are provided on three sides of the fixture, allowing for easy wiring installation through surface conduit.
- Optional motion sensor features enhance both security and energy efficiency.



## Dimensions



## Specification

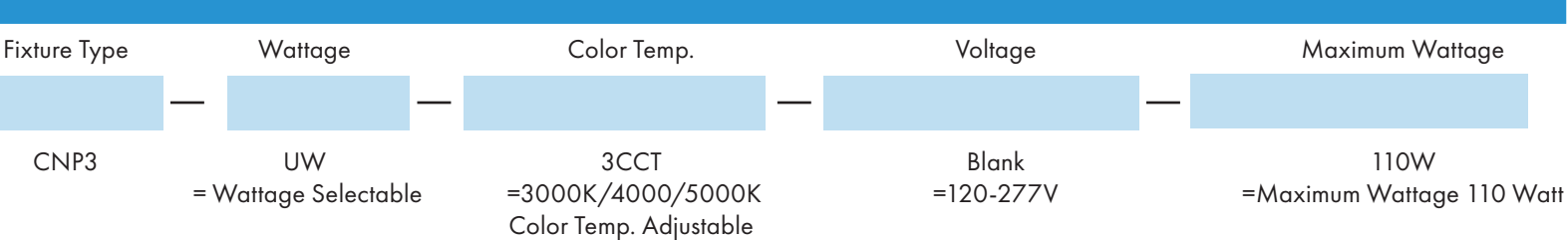
<b>Material</b>	One piece die cast aluminum housing	<b>Efficacy</b>	Up to 171 lm/W
<b>Lens</b>	Anti UV prismatic translucent lens	<b>LED Life Span</b>	50,000 hrs
<b>Beam angle</b>	100 degree	<b>Dimmable</b>	0-10V Dimming
<b>Color Temp</b>	3CCT 3000K/4000K/5000K	<b>Lumen Package</b>	6,800 lm to 16,000lm
<b>CRI</b>	70	<b>Warranty</b>	5 Years
<b>Input Voltage</b>	120-277V	<b>Ambient Operation Temperature</b>	-40°C (-40°F) ~45°C (113°F)
<b>Installation</b>	Surface Mount 3/4" Conduit Pendant Mount	<b>Listing</b>	UL Listed Wet location listed

<b>Fixture Type:</b>
<b>Project Name</b>
<b>Location:</b>
<b>Date:</b>

# CNP3 Series

High Lumen Output LED Square Canopy Wattage Selectable and 3CCT

## Ordering Guide Example: CNP1-UW3CCT-110W-MS01



### Optional Accessories

Motion Sensor



MS01  
(SKU:01VR-2-MIC)

= Internal DC microwave motion sensor.

MS02  
(SKU:BL-PIR819-EX)

= External PIR motion sensor.

# CNP3 Series

High Lumen Output LED Square Canopy Wattage Selectable and 3CCT

**Fixture Type:**

**Project Name**

**Location:**

**Date:**

## Product Information

CNP3-110W	3000K		4000K		5000K	
WATTAGE	LUMEN	EFFICACY	LUMEN	EFFICACY	LUMEN	EFFICACY
110W	15,500lm	141lm/W	16,500lm	150lm/W	16,000lm	145lm/W
85W	12,800lm	151lm/W	13,600lm	160lm/W	13,000lm	153lm/W
63W	9,800lm	156lm/W	10,500lm	167lm/W	10,000lm	159lm/W
41W	6,800lm	166lm/W	7,200lm	176lm/W	7,000lm	171lm/W

## CNP3 Series

High Lumen Output LED Square Canopy Wattage Selectable and 3CCT

**Fixture Type:**

**Project Name**

**Location:**

**Date:**

### Optional Accessories

Motion Sensor:



#### DC Microwave Motion Sensor

**SKU: 01VR-2-MIC**

- Internal Microwave sensor pre-installed by request.
- Daylight sensor function and corridor function
- Configure setting by remote control HD06R (sold separately).
- Default setting Detection Area - 100%, Hold time - 5S, Daylight Threshold disable Standby Period - OS, Standby Dimming Level - 10%.



#### External PIR Motion Sensor

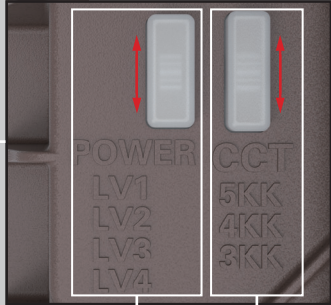
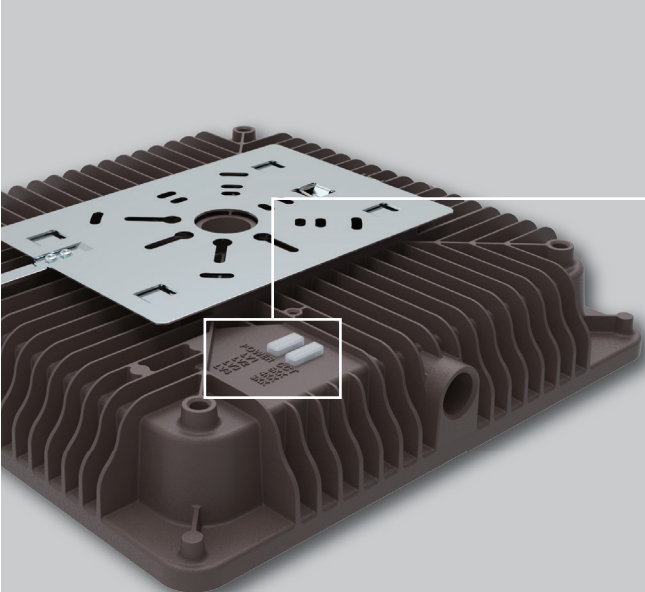
**SKU: BL-PIR819-EX**

- External PIR motion sensor pre-installed by request.
- Daylight sensor function and corridor function
- Configure setting by dip switch or remote control (sold separately)
- Factory default setting: 100% sensitivity, Hold time 10 sec, daylight sensor 30lux, Dimming level: 30%, Dimming time: 60mins.

# CNP3 Series

High Lumen Output LED Square Canopy Wattage Selectable and 3CCT

<b>Fixture Type:</b>
<b>Project Name</b>
<b>Location:</b>
<b>Date:</b>



**CCT AND WATTAGE SELECTABLE**  
 This fixture has the function of adjusting the lumens output and color temperature on-site.

**WATTAGE SELECT**

● 40% ● 60% ● 80% ● 100%

Each model supports 4 positions  
 wattage regulation :  
 100%, 80%, 60%, 40%

**CCT SELECT**

■ 3000K ■ 4000K ■ 5000K

Offer three CCT adjustable  
 (3000K, 4000K, 5000K) .