

# CNP2 Series

Wattage and 3CCT Selectable Canopy

**Fixture Type:**

**Project Name**

**Location:**

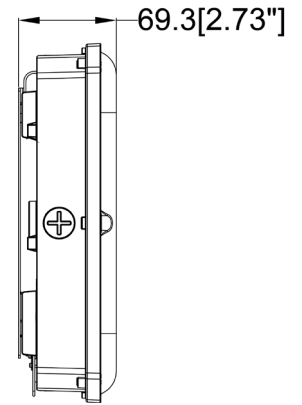
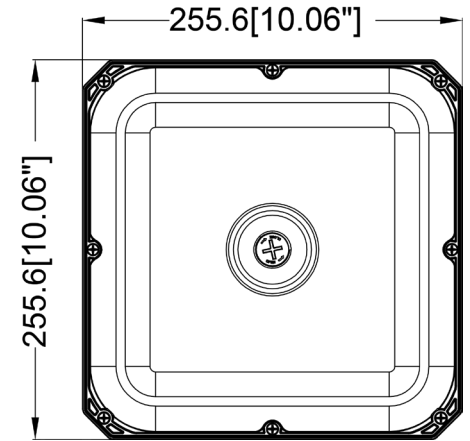
**Date:**

## Features

- Durable die-cast aluminum housing and heat dissipating fins for excellent thermal control
- Impact resistant tempered glass
- Dark bronze powder coat finish
- Wattage selectable 80W/60W/40W
- 3CCT Color temperature adjustable 3000K/4000K/5000K
- Efficacy up to 135 LPW
- Surface mount or pendant mount
- Optional accessories internal emergency battery and motion sensor



## Dimensions



## Product Performance Standard

<b>Size</b>	10" x 10" x 2.7"	<b>Power Factor</b>	90%
<b>Weight</b>	6 lb	<b>Life Span</b>	50,000 Hrs
<b>IP Rate</b>	IP65	<b>Dimmable</b>	0-10V Dimmable
<b>Color Temp</b>	3000K/4000K/5000K	<b>Efficacy</b>	Up to 135 lm/W
<b>CRI</b>	80	<b>Warranty</b>	5 Years
<b>Input Voltage</b>	100-277V	<b>Ambient Operation Temperature</b>	-40°C (-40°F) ~ 45°C (113°F)

## Ordering Guide

Example: CNP2 UW 3CCT

Fixture Type	Wattage	Color Temp.	Voltage	Finish	Optional Accessories
CNP2	UW 80/60/40W Wattage Selectable	3CCT = Color temperature adjustable 30/40/50K	Blank = 100-277V	Blank = Dark Bronze	Blank = No accessories MS = Motion Sensor EM = Emergency Battery Backup

# CNP2 Series

Wattage and 3CCT Selectable Canopy

**Fixture Type:**

**Project Name**

**Location:**

**Date:**

## Product Information

WATTAGE	3000K			4000K		5000K	
	LUMEN	EFFICACY		LUMEN	EFFICACY	LUMEN	EFFICACY
80W	10400	130lm/W		10640	133lm/W	10800	135lm/W
60W	7800	130lm/W		7980	133lm/W	8100	135lm/W
40W	5200	130lm/W		5320	133lm/W	5400	135lm/W

## Optional Accessories



### Internal Plug and Play Motion Sensor

- Internal motion sensor is field installed or pre-installed by request



### Internal Emergency Battery Backup

- External battery backup is field installed or pre-installed by request  
 - Delivery 900 lumen for 90 minutes emergency operation

For the accessories detail, please visit [www.lironlighting.com/product\\_categories/add-on-accessories](http://www.lironlighting.com/product_categories/add-on-accessories)

