

CNP2 Series

Wattage and 3CCT Selectable Canopy

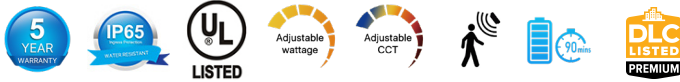
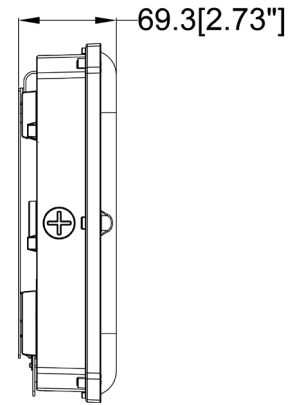
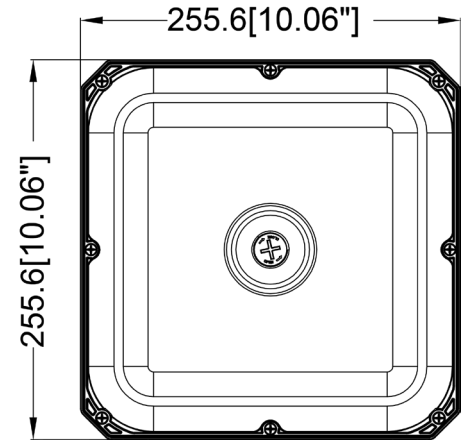
Fixture Type:
Project Name
Location:
Date:

Features

- Durable die-cast aluminum housing and heat dissipating fins for excellent thermal control
- Impact resistant tempered glass
- Dark bronze powder coat finish
- Wattage selectable 80W/60W/40W
- 3CCT Color temperature adjustable 3500K/4000K/5000K
- Efficacy up to 135 LPW
- Surface mount or 3/4" pendant mount
- Optional accessories internal emergency battery and motion sensor



Dimensions

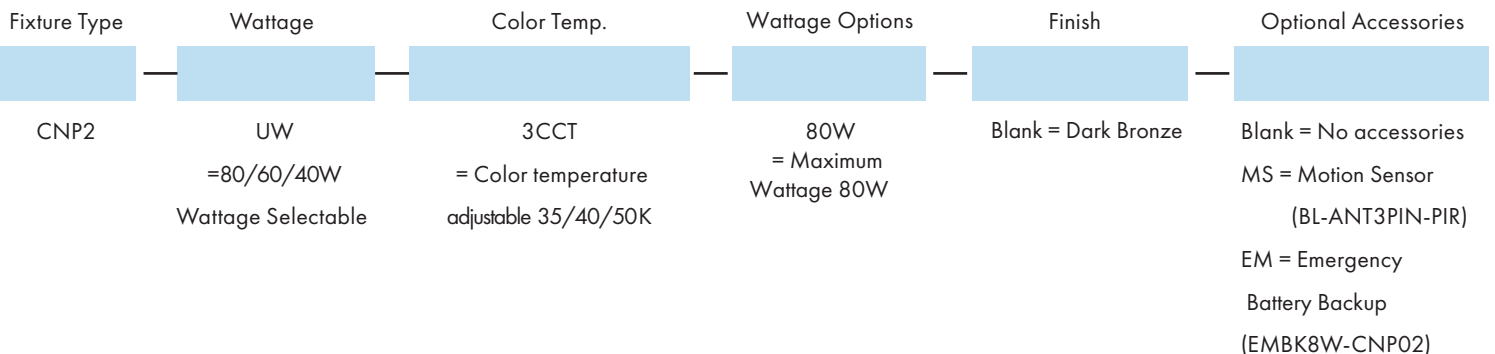


Product Performance Standard

Size	10" x 10" x 2.7"	Power Factor	90%
Weight	6 lb	Life Span	50,000 Hrs
IP Rate	IP65	Dimmable	0-10V Dimmable
Color Temp	3500K/4000K/5000K	Efficacy	Up to 135 lm/W
CRI	80	Warranty	5 Years
Input Voltage	100-277V	Ambient Operation Temperature	-40C° (-40°F) ~ 45C° (113°F)

Ordering Guide

Example: CNP2-UW3CCT-80W



CNP2 Series

Wattage and 3CCT Selectable Canopy

Fixture Type:

Project Name

Location:

Date:

Product Information

3500K			4000K		5000K	
WATTAGE	LUMEN	EFFICACY	LUMEN	EFFICACY	LUMEN	EFFICACY
80W	10400	130lm/W	10640	133lm/W	10800	135lm/W
60W	7800	130lm/W	7980	133lm/W	8100	135lm/W
40W	5200	130lm/W	5320	133lm/W	5400	135lm/W

Optional Accessories



Internal Plug and Play PIR Motion Sensor

- SKU: BL-ANT3PIN-PIR
- Internal motion sensor is field installed or pre-installed by request



Internal Emergency Battery Backup

- SKU: EMBK8W-CNP02
- External battery backup is field installed or pre-installed by request
- Delivery 1080 lumen for 90 minutes emergency operation

For the accessories detail, please visit www.lironlighting.com/product_categories/add-on-accessories