

# CNP2 Series

Wattage and 3CCT Selectable Canopy

**Fixture Type:**

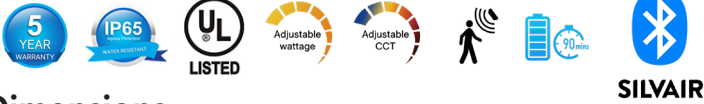
**Project Name**

**Location:**

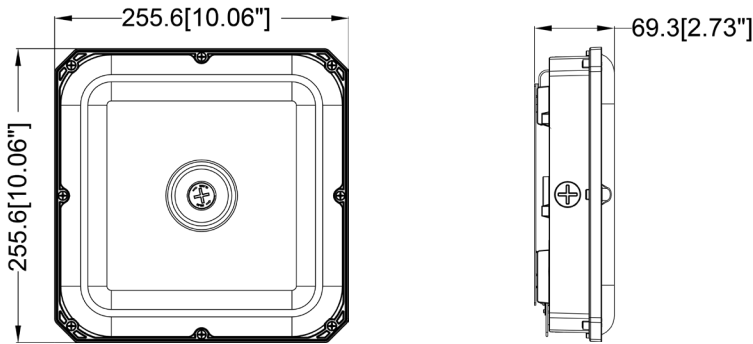
**Date:**

## Features

- Durable die-cast aluminum housing and heat dissipating fins for excellent thermal control.
- PC diffuser lens reduces glare while producing uniform light distribution.
- Dark bronze powder coat finish
- Wattage selectable 80W/60W/40W
- 3CCT Color temperature adjustable 3500K/4000K/5000K
- Efficacy up to 135 LPW
- Surface mount or pendant mount
- Optional accessories internal emergency battery and motion sensor



## Dimensions



## Specification

<b>Housing</b>	Rugged die-cast aluminum housing	<b>Efficacy</b>	Up to 167 lm/W
<b>Lens</b>	PC Diffuser Lens	<b>LED Life Span</b>	50,000 Hrs
<b>Beam Angle</b>	120 Degree	<b>Dimmable</b>	0-10V Dimmable
<b>Color Temp</b>	3CCT 3500K/4000K/5000K	<b>Lumen Package</b>	3,800lm to 8,000lm
<b>CRI</b>	70	<b>Warranty</b>	5 Years
<b>Input Voltage</b>	120-277V	<b>Ambient Operation Temperature</b>	-40 °C (-40°F) 45 °C(113°F)
<b>Installation</b>	Surface Mount 3/4" Conduit Mount	<b>Listing</b>	UL Listed DLC Premium

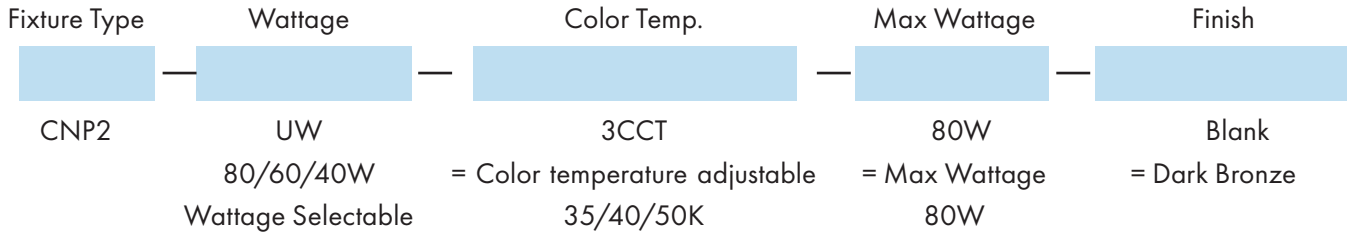


# CNP2 Series

Wattage and 3CCT Selectable Canopy

<b>Fixture Type:</b>
<b>Project Name</b>
<b>Location:</b>
<b>Date:</b>

**Ordering Guide**      **Example: CNP2-UW3CCT-80W-EM-MS01**



### Optional accessories:

#### Emergency Battery Backup



EM  
(SKU:EMBK8W-CNP02)  
=8W Emergency battery backup Factory pre-install by request.

#### Motion Sensor



MS01  
(SKU:HD09VR-PIR)  
=Plug and play PIR motion sensor field install.

#### BLMS01

(SKU:SILVAIRO1)

=Bluetooth motion sensor plug and play field install, work with SILVAIR APP.

## CNP2 Series

Wattage and 3CCT Selectable Canopy

### Fixture Type:

Project Name

Location:

Date:

### Product Information

3500K			4000K		5000K	
WATTAGE	LUMEN	EFFICACY	LUMEN	EFFICACY	LUMEN	EFFICACY
80W	10400	130lm/W	10640	133lm/W	10800	135lm/W
60W	7800	130lm/W	7980	133lm/W	8100	135lm/W
40W	5200	130lm/W	5320	133lm/W	5400	135lm/W

### Optional Accessories



#### Plug and Play PIR Motion Sensor with control dial

- SKU: HD09VR-PIR
- PIR plug and play motion field install.
- The rotating switch is built into the motion sensor and allows you to manually adjust the standby dimming level and hold time without needing a remote control
- Configure setting by remote control HD06R (sold separately).
- Default setting Detection Area - 100%, Hold time - 5S, Daylight Threshold disable Standby Period - 0S, Standby Dimming Level - 10%.



#### Plug and Play PIR Motion Sensor

- SKU: SILVAIR01
- PIR plug and play motion sensor
- Bluetooth control work with SILVAIR APP on IOS and Android.



#### Internal Emergency Battery Backup

- SKU: EMBK8W-CNP02
- Internal battery backup is factory pre-installed by request
- Delivery 1,080 lumen for 90 minutes emergency operation