

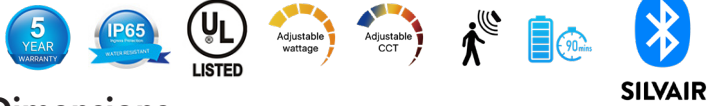
CNP2 Series

Wattage and 3CCT Selectable Canopy

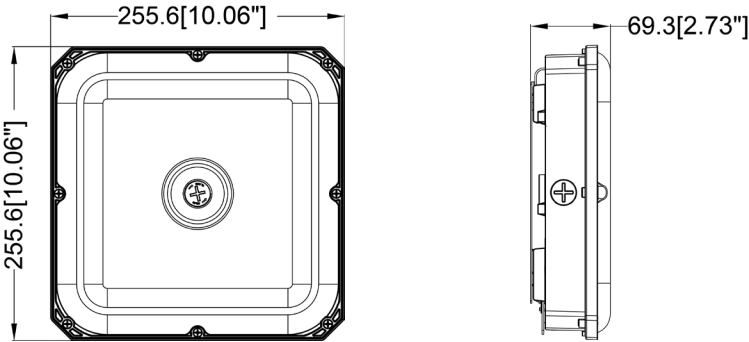
Fixture Type:
Project Name
Location:
Date:

Features

- Durable die-cast aluminum housing and heat dissipating fins for excellent thermal control.
- PC diffuser lens reduces glare while producing uniform light distribution.
- Dark bronze powder coat finish
- Wattage selectable 80W/60W/40W
- 3CCT Color temperature adjustable 3500K/4000K/5000K
- Efficacy up to 135 LPW
- Surface mount or pendant mount
- Optional accessories internal emergency battery and motion sensor



Dimensions



Specification

Housing	Rugged die-cast aluminum housing	Efficacy	Up to 167 lm/W
Lens	PC Diffuser Lens	LED Life Span	50,000 Hrs
Beam Angle	120 Degree	Dimmable	0-10V Dimmable
Color Temp	3CCT 3500K/4000K/5000K	Lumen Package	3,800lm to 8,000lm
CRI	70	Warranty	5 Years
Input Voltage	120-277V	Ambient Operation Temperature	-40 °C (-40°F) 45 °C(113°F)
Installation	Surface Mount 3/4" Conduit Mount	Listing	UL Listed DLC Premium

CNP2 Series

Wattage and 3CCT Selectable Canopy

Fixture Type:

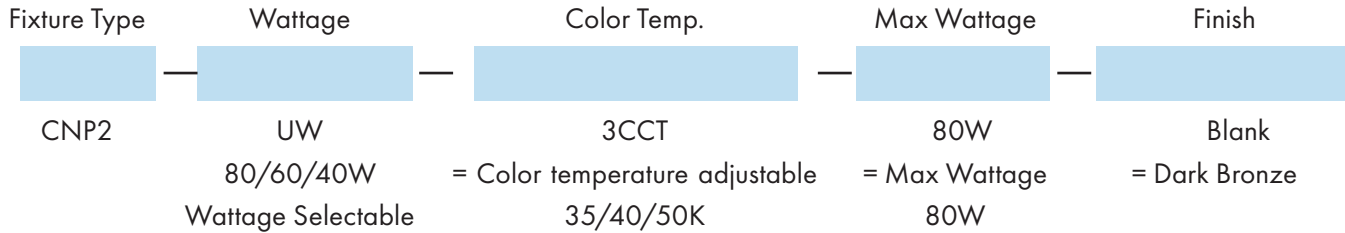
Project Name

Location:

Date:

Ordering Guide

Example: CNP2-UW3CCT-80W-EM-MS01



Optional accessories:

Emergency Battery Backup



EM

(SKU:EMBK8W-CNP02)

=8W Emergency battery backup Factory pre-install by request.

Motion Sensor



MS01

(SKU:BL-ANT6-4T-PIR)(Default)

= 12/24V Plug and play passive infrared motion sensor.

MS02

(SKU:HD09VR-PIR)

=Plug and play PIR motion sensor field install.

BLMS01

(SKU:SILVAIR01)

=Bluetooth motion sensor plug and play field install, work with SILVAIR APP.

CNP2 Series

Wattage and 3CCT Selectable Canopy

Fixture Type:
Project Name
Location:
Date:

Product Information

3500K			4000K		5000K	
WATTAGE	LUMEN	EFFICACY	LUMEN	EFFICACY	LUMEN	EFFICACY
80W	10400	130lm/W	10640	133lm/W	10800	135lm/W
60W	7800	130lm/W	7980	133lm/W	8100	135lm/W
40W	5200	130lm/W	5320	133lm/W	5400	135lm/W

Optional Accessories



Plug and Play PIR Motion Sensor with control dial

- SKU: HD09VR-PIR
- PIR plug and play motion field install.
- The rotating switch is built into the motion sensor and allows you to manually adjust the standby dimming level and hold time without needing a remote control



Infrared plug and play motion sensor 12/24V (Standard)

- SKU: BL-ANT6-4T-PIR
- Passive Infrared plug and play motion sensor.
- Suitable for 120-277V and 347-480V fixtures.



Plug and Play PIR Motion Sensor

- SKU: SILVAIR01
- PIR plug and play motion sensor
- Bluetooth control work with SILVAIR APP on IOS and Android.



Internal Emergency Battery Backup

- SKU: EMBK8W-CNP02
- Internal battery backup is factory pre-installed by request
- Delivery 1,080 lumen for 90 minutes emergency operation