

# SPL2 Series

LED Sport Light 2.0 Series

**Fixture Type:**

**Project Name**

**Location:**

**Date:**

## Features

- SPL2 offer a wide range of wattage options, from 400 Watts to 1,500 Watts, with efficacy of up to 170 lumens per watt.
- Crafted with a robust cold forging aluminum(AL1050) housing, these luminaires are the epitome of cutting-edge lighting technology. Rugged and weather-tight design ensure unparalleled durability, making them ideal for installation in high-vibration areas and extreme environments.
- Different beam angle options to achieve the perfect lighting coverage, ensure optimal visibility and performance.
- 10KV surge protection device to avoid early failure due to power surge.
- Comes with an easy adjustable mount designed to fit on in multiple ways. The light can be angled up or down depending to focus the action. Optional yoke mount adapter available.
- Optional external or built-in power supply



External power option



## Specification

<b>Material</b>	Cold forging 1050 aluminum housing	<b>Efficacy</b>	Up to 170 lm/W
<b>Lens</b>	High impact UV stabilized polycarbonate lens	<b>LED Life Span</b>	50,000 hrs
<b>Beam angle</b>	15°/20°/30°/45°/60°(400W-600W) 15°/20°/25°/40°/60°/80°(720W-1200W) 15°/30°/45°(1500W)	<b>Dimmable</b>	0-10V Dimming
<b>Color Temp</b>	4000K/5000K/5700K/6500K/RGB/RGBW	<b>Lumen Package</b>	68,000 lm to 217,500 lm
<b>CRI</b>	70	<b>Warranty</b>	5 Years
<b>Input Voltage</b>	120-277V/277-480V	<b>Ambient Operation Temperature</b>	-40°C (-40°F) ~45°C (113°F)

# SPL2 Series

LED Sport Light 2.0 Series

<b>Fixture Type:</b>
<b>Project Name</b>
<b>Location:</b>
<b>Date:</b>

## Ordering Guide

Example: SPL2-600W50K-45D-YKM-PC

Fixture Type	Wattage	Color Temp.	Voltage	1 Beam Angle	Power Supply
SPL2	400W 500W 600W 720W 800W 1000W 1200W 1500W	40K=4000K 50K=5000K 57K=5700K 65K=6500K RGB = RED/GREEN/BLUE RGBW=RED/GREEN/BLUE/ WHITE	Blank =120-277V  HV =277-480V	15D=15° 20D=20° 30D=30° 40D=40° 45D=45° 60D=60° 80D=80°	Blank =Internal Power Supply  EXT-PS =External Power Supply

Note: 1. 15°/20°/30°/45°/60° beam angle suitable for 400W, 500W and 600W.  
 15°/20°/40°/60°/80° beam angle suitable for 720W, 800W, 1000W and 1200W.  
 15°/30°/45° beam angle suitable for 1500W.

## Optional Accessories

### Mounting



YKM  
(SKU:SPL2-TRSPA)  
= Yoke mount adapter

### Photocell



PC  
(SKU:ALPC)  
= Twist lock photocell

AL  
(SKU:SPL2-AIMINGLASER)  
=Aiming laser

# SPL2 Series

LED Sport Light 2.0 Series

**Fixture Type:**

**Project Name**

**Location:**

**Date:**

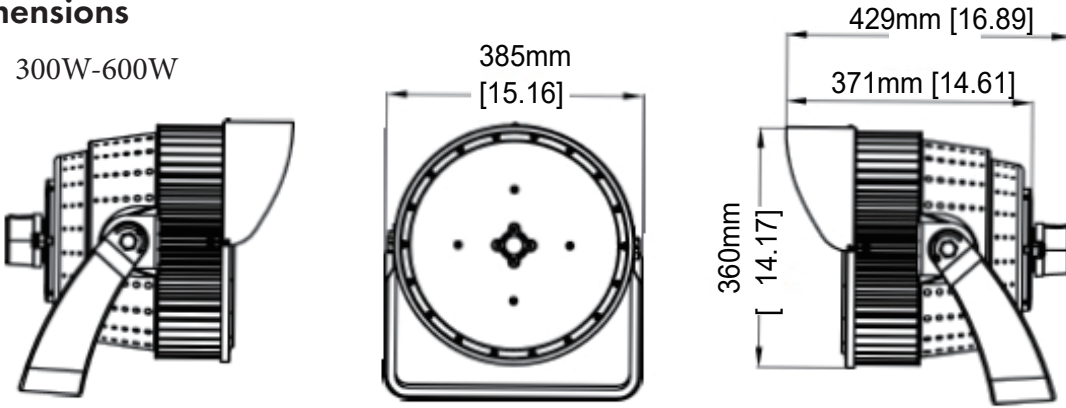
## Product Information

WATTAGE	EPA	4000K		5000K	
		LUMEN	EFFICACY	LUMEN	EFFICACY
400W	0.95Ft <sup>2</sup>	67,200lm	168lm/W	68,000lm	170lm/W
500W		81,500lm	163lm/W	82,500lm	165lm/W
600W		95,400lm	159lm/W	96,000lm	160lm/W
720W		118,080lm	164lm/W	118,800lm	165lm/W
800W	1.40Ft <sup>2</sup>	126,400lm	158lm/W	128,000lm	160lm/W
1000W		148,000lm	148lm/W	150,000lm	150lm/W
1200W		160,800lm	134lm/W	162,000lm	135lm/W
1500W		216,000lm	144lm/W	217,500lm	145lm/W

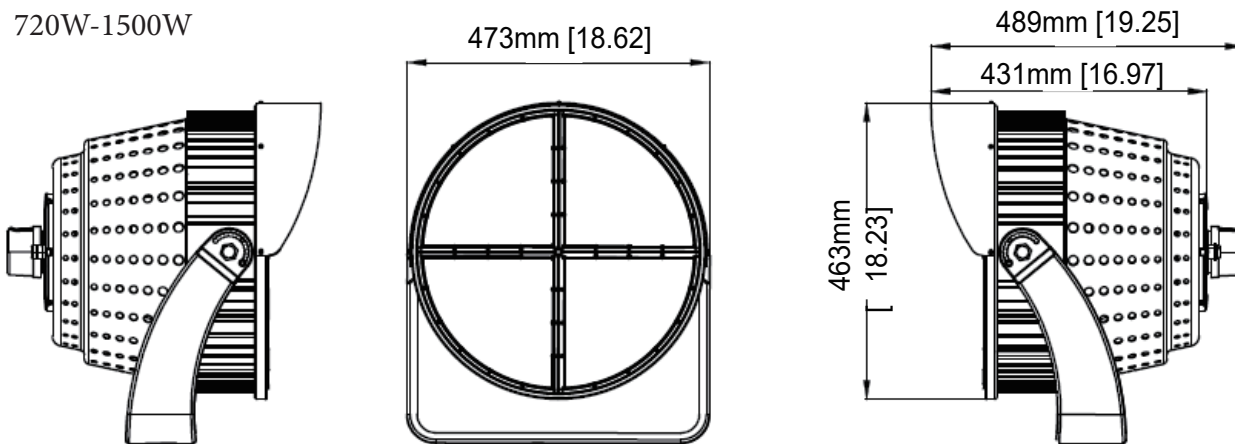
<b>Fixture Type:</b>
<b>Project Name</b>
<b>Location:</b>
<b>Date:</b>

## Dimensions

300W-600W

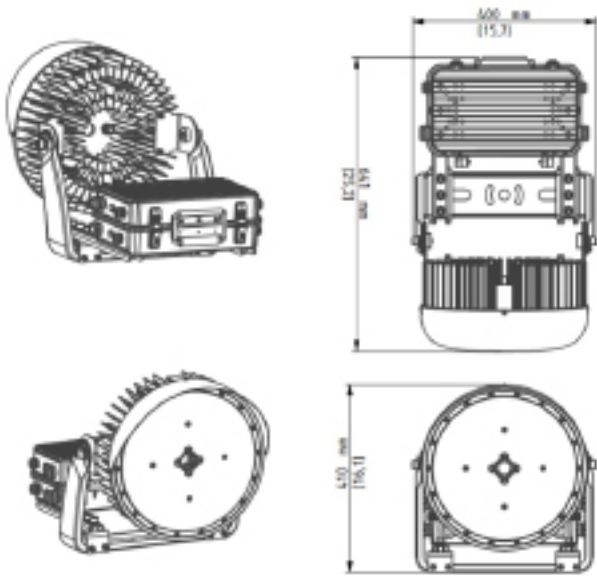


720W-1500W

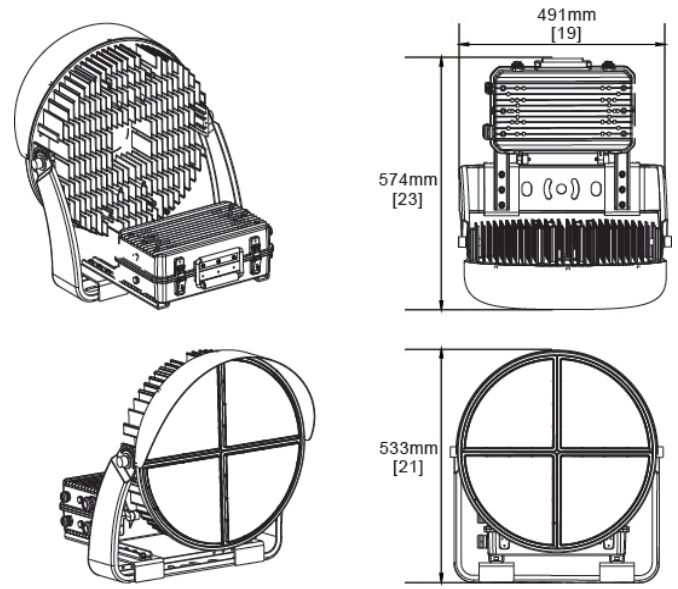


## External Power Supply(Optional)

300W-600W



720W-1500W



## SPL2 Series

LED Sport Light 2.0 Series

**Fixture Type:**

**Project Name**

**Location:**

**Date:**

### Optional Accessories

Yoke Mount Adapter:



**Yoke Mount Adapter for SPL2**

**SKU: SPL2-TRSPA**

- Yoke mount adapter for the sport light.

Photocell:



**Photocell**

**SKU: ALPC**

- Twist lock photocell for better energy saving.

Aiming Laser:



**Aiming Laser**

**SKU: SPL2-AIMMINGLASER**

- Aiming position laser to ensure aiming to achieve the perfect lighting coverage.