

# SPL2 Series

LED Sport Light 2.0 Series

**Fixture Type:**

**Project Name**

**Location:**

**Date:**

## Features

- SPL2 offer a wide range of wattage options, from 400 Watts to 1,500 Watts, with efficacy of up to 170 lumens per watt.
- Crafted with a robust cold forging aluminum(AL1050) housing, these luminaires are the epitome of cutting-edge lighting technology. Rugged and weather-tight design ensure unparalleled durability, making them ideal for installation in high-vibration areas and extreme environments.
- Different beam angle options to achieve the perfect lighting coverage, ensure optimal visibility and performance.
- 10KV surge protection device to avoid early failure due to power surge.
- Comes with an easy adjustable mount designed to fit on in multiple ways. The light can be angled up or down depending to focus the action. Optional yoke mount adapter available.
- Optional external or built-in power supply



External power option



## Specification

|                      |   |                                      |                                |
|----------------------|---|--------------------------------------|--------------------------------|
| <b>Material</b>      | Cold forging 1050 aluminum housing  | <b>Efficacy</b>                      | Up to 170 lm/W                 |
| <b>Lens</b>          | High impact UV stabilized polycarbonate lens  | <b>LED Life Span</b>                 | 50,000 hrs                     |
| <b>Beam angle</b>    | 15°/20°/30°/45°/60°(400W-600W)<br>15°/20°/25°/40°/60°/80°(720W-1200W)<br>15°/30°/45°(1500W) | <b>Dimmable</b>                      | 0-10V Dimming                  |
| <b>Color Temp</b>    | 4000K/5000K/5700K/6500K/RGB/RGBW  | <b>Lumen Package</b>                 | 68,000 lm to 217,500 lm        |
| <b>CRI</b>           | 70  | <b>Warranty</b>                      | 5 Years                        |
| <b>Input Voltage</b> | 120-277V/277-480V   | <b>Ambient Operation Temperature</b> | -40°C (-40°F)<br>~45°C (113°F) |



# SPL2 Series

LED Sport Light 2.0 Series

**Fixture Type:**

**Project Name**

**Location:**

**Date:**

## Ordering Guide

Example: SPL2-600W50K-45D-YKM-PC

| Fixture Type | Wattage   | Color Temp.   | Voltage                                   | <sup>1</sup> Beam Angle   | Power Supply  |
|--------------|---|---|---|---|---|
| SPL2         | 400W<br>500W<br>600W<br>720W<br>800W<br>1000W<br>1200W<br>1500W | 40K=4000K<br>50K=5000K<br>57K=5700K<br>65K=6500K<br>RGB = RED/GREEN/BLUE<br>RGBW=RED/GREEN/BLUE/<br>WHITE | Blank<br>=120-277V<br><br>HV<br>=277-480V | 15D=15°<br>20D=20°<br>30D=30°<br>40D=40°<br>45D=45°<br>60D=60°<br>80D=80° | Blank<br>=Internal Power Supply<br><br>EXT-PS<br>=External Power Supply |

Note: 1. 15°/20°/30°/45°/60° beam angle suitable for 400W, 500W and 600W.  
 15°/20°/25°/40°/60°/80° beam angle suitable for 720W,800W,1000W and 1200W.  
 15°/30°/45° beam angle suitable for 1500W.

## Optional Accessories

Mounting

Photocell



YKM  
(SKU:SPL2-TRSPA)  
= Yoke mount adapter

PC  
(SKU:ALPC)  
= Twist lock photocell

AL  
(SKU:SPL2-AIMINGLASER)  
=Aiming laser





# SPL2 Series

LED Sport Light 2.0 Series

**Fixture Type:**

**Project Name**

**Location:**

**Date:**

## Product Information

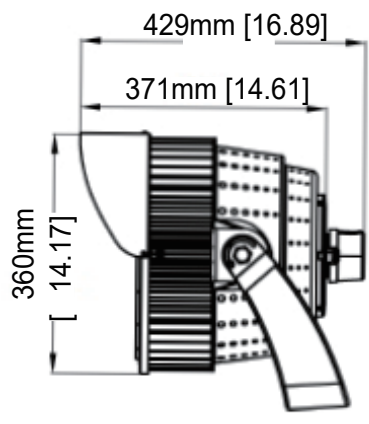
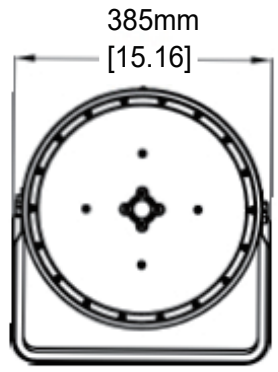
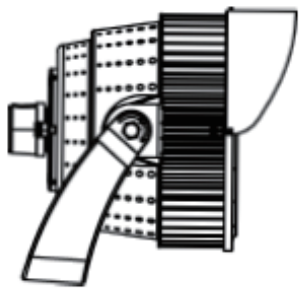
| WATTAGE | EPA                 | 4000K     |          | 5000K     |          |
|---------|---------------------|-----------|----------|-----------|----------|
|         |                     | LUMEN     | EFFICACY | LUMEN     | EFFICACY |
| 400W    | 0.95Ft <sup>2</sup> | 67,200lm  | 168lm/W  | 68,000lm  | 170lm/W  |
| 500W    |                     | 81,500lm  | 163lm/W  | 82,500lm  | 165lm/W  |
| 600W    |                     | 95,400lm  | 159lm/W  | 96,000lm  | 160lm/W  |
| 720W    |                     | 118,080lm | 164lm/W  | 118,800lm | 165lm/W  |
| 800W    | 1.40Ft <sup>2</sup> | 126,400lm | 158lm/W  | 128,000lm | 160lm/W  |
| 1000W   |                     | 148,000lm | 148lm/W  | 150,000lm | 150lm/W  |
| 1200W   |                     | 160,800lm | 134lm/W  | 162,000lm | 135lm/W  |
| 1500W   |                     | 216,000lm | 144lm/W  | 217,500lm | 145lm/W  |



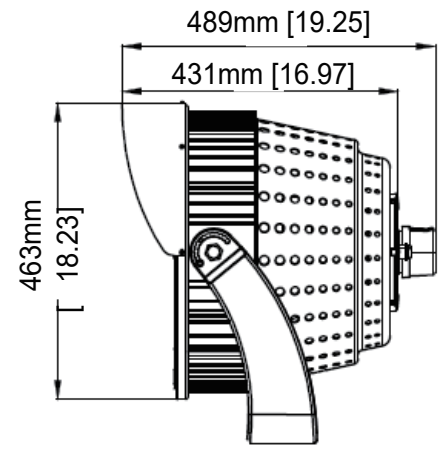
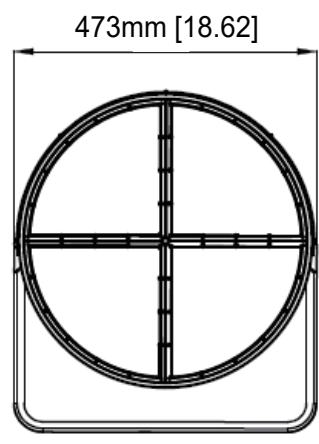
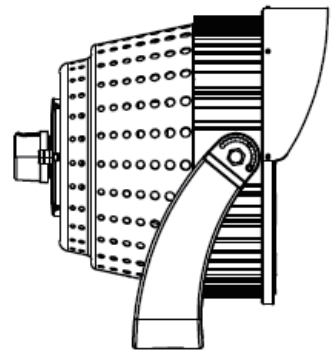
|                      |
|----------------------|
| <b>Fixture Type:</b> |
| <b>Project Name</b>  |
| <b>Location:</b>     |
| <b>Date:</b>         |

## Dimensions

300W-600W

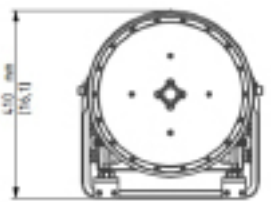
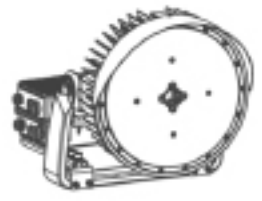
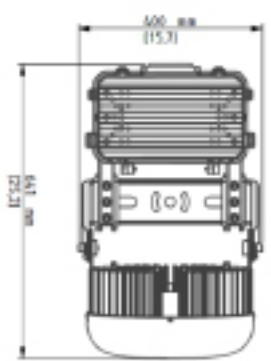


720W-1500W

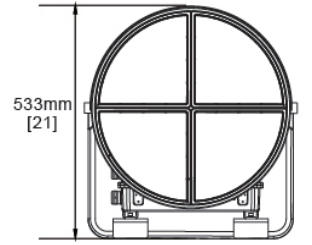
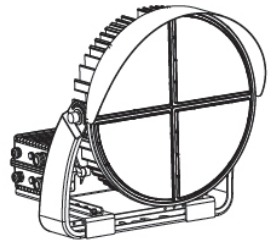
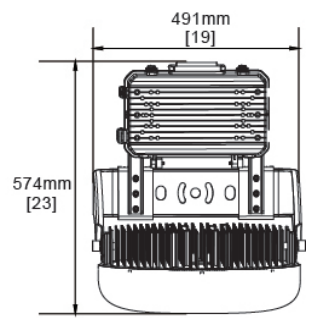
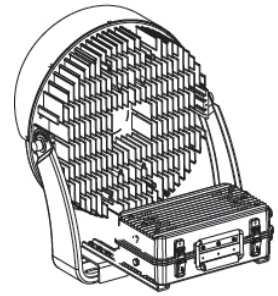


## External Power Supply(Optional)

300W-600W



720W-1500W



## SPL2 Series

LED Sport Light 2.0 Series

**Fixture Type:**

**Project Name**

**Location:**

**Date:**

### Optional Accessories

Yoke Mount Adapter:



**Yoke Mount Adapter for SPL2**

**SKU: SPL2-TRSPA**

- Yoke mount adapter for the sport light.

Photocell:



**Photocell**

**SKU: ALPC**

- Twist lock photocell for better energy saving.

Aiming Laser:



**Aiming Laser**

**SKU: SPL2-AIMMINGLASER**

- Aiming position laser to ensure aiming to achieve the perfect lighting coverage.