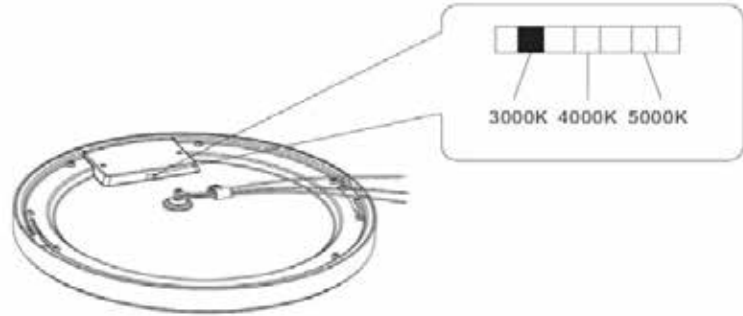


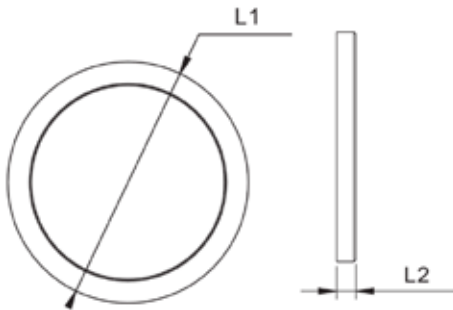
CSP2 Series

FIXTURE TYPE:
 PROJECT NAME:
 LOCATION:
 DATE:

LED FLUSH MOUNT DOWNLIGHT



Dimensions



	10W	15W	18W	24W
L1	5"	7.09"	8.86"	12"
L2	0.71"	0.71"	0.71"	0.71"



(Trim ring mounted)
Extends fixture to 14"



(Trim ring sold
separately)

Product Performance Standard

Size	5"/7"/9"/12"
Weight	0.4lb/0.6lb/1lb/1.8lb
Mounting	Flush Mount
CRI	80
Color Temp	3CCT
Input Voltage	120V
Power Factor	90%
LED Lifespan	50,000 Hrs
Dimmable	Triac Dimming
Efficacy	up to 80 lm/W
Warranty	5 Years
Ambient Operation Temperature	-15C° (-4°F)~40C°(104°F)

FIXTURE TYPE:
 PROJECT NAME:
 LOCATION:
 DATE:

LED FLUSH MOUNT DOWNLIGHT

Features

- 5"/7"/9"/12" slim flush mount downlight
- 3CCT color temperature adjustable 30/40/50K
- Polycarbonate engineering plastic housing
- Durable polycarbonate Lens
- Triac dimming
- Easy installation for flush mount to most standard J-box
- Suitable for wet location
- Available in white finish

Ordering Guide Example: CSP2-15W7IN-3CCT-WH

Fixture Type	Size & Wattage	Color Temp	Voltage	Finish
CSP2	10W5IN = 10Watt 5 Inch 15W7IN = 15Watt 7 Inch 18W9IN = 18Watt 9 Inch 24W12IN = 24Watt 12 Inch	3CCT = 30/40/50K (Color Temperature Adjustable)	Blank = 120V	WH = White

FIXTURE TYPE:
 PROJECT NAME:
 LOCATION:
 DATE:

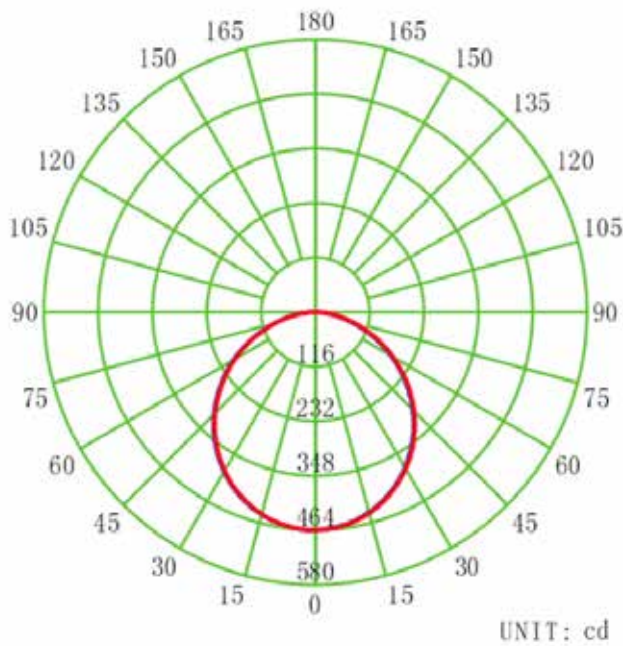
LED FLUSH MOUNT DOWNLIGHT

Product Information

WATTAGE	3000K		4000K		5000K	
	LUMEN	EFFICACY	LUMEN	EFFICACY	LUMEN	EFFICACY
10W	750lm	75lm/W	780lm	78lm/W	800lm	80lm/W
15W	1125lm	75lm/W	1170lm	78lm/W	1200lm	80lm/W
18W	1350lm	75lm/W	1404lm	78lm/W	1440lm	80lm/W
24W	1800lm	75lm/W	1872lm	78lm/W	1920lm	80lm/W

Photometric

LUMINOUS INTENSITY DISTRIBUTION DIAGRAM



VERTICAL EQUILUMINOUS CURVE

