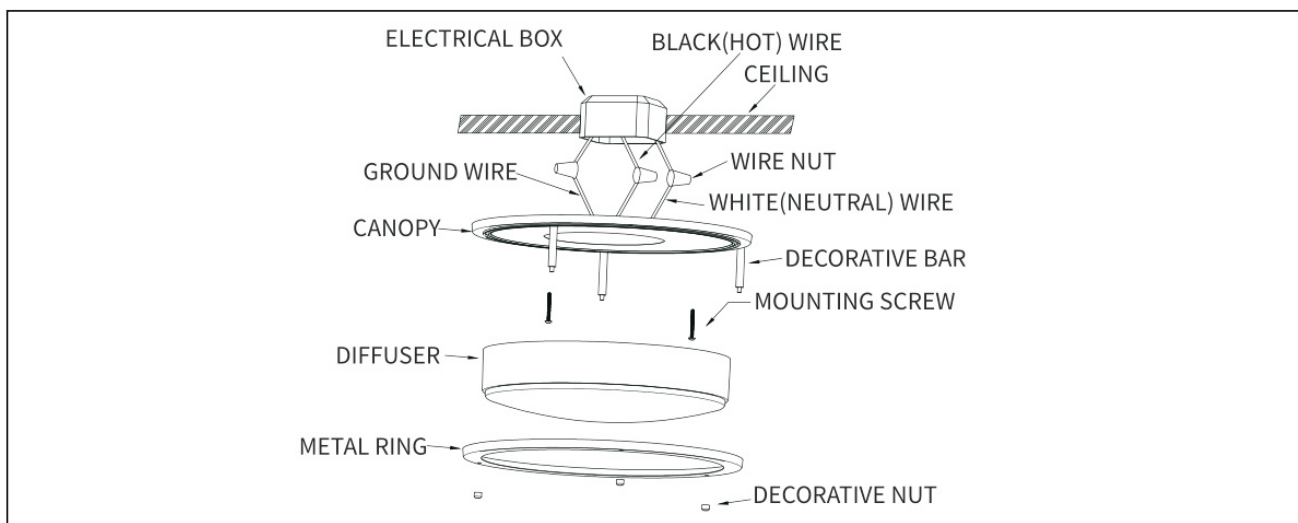


## INSTALLATION INSTRUCTION

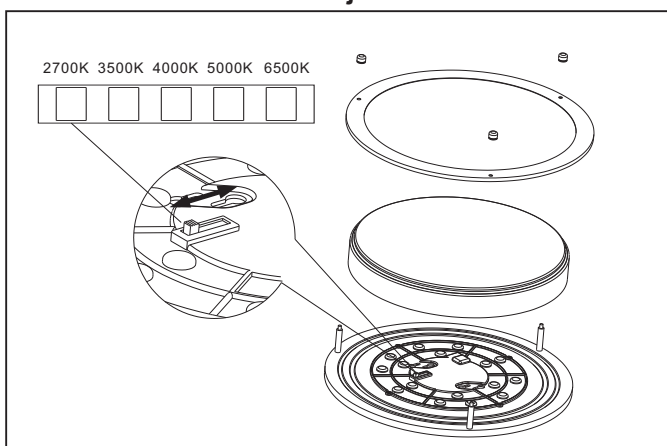
### INSTALLATION STEPS

1. Tools and material needed: screwdriver, pliers, wire nuts, electrical tape
2. To help prevent the possibility of electrical shock, the use of rubber sole shoes is recommended
3. Exercise care when handling the fixture to avoid cuts or abrasions
4. If a ladder is needed, make sure to use a sturdy wooden one
5. Screw the long mounting screws into electrical box about two complete turns. (Mounting screws included)
6. Electrical connection: Make sure electricity to the circuit is turned off. Connect green/or bare copper wire to Ground screw (Ground must be properly installed or unit may not work). Connect white wire to white supply wire cover with nut/or twist together and cover really well with electrical tape. Connect black wire supply wire cover with a wire nut/or twist together and cover really well with the electrical tape.
7. Align the canopy base over the long mounting screws so that the screw comes through the keyhole slots. Spin the canopy slightly until screws are at the small end of the keyhole slots. Tighten the self-topping screws until the canopy fits snug to the ceiling
8. Align Diffuser evenly on canopy, then place metal ring on diffuser, let 3 screws from decorative tubes come out of the decorative ring. Twist 3 decorative nuts on top to tighten the ring and diffuser
9. Turn power on

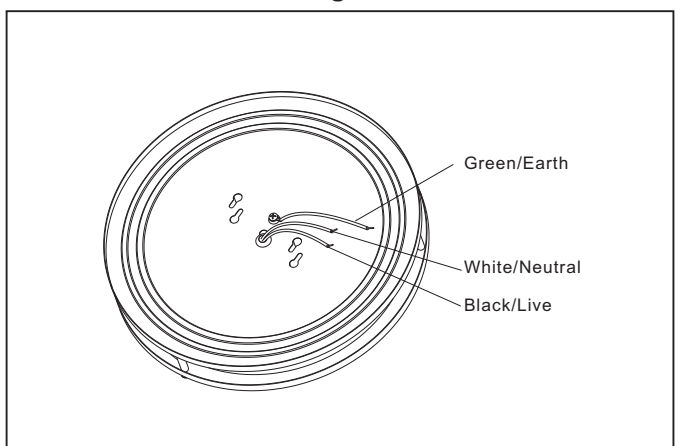


## OPERATING GUIDE

### 1 CCT Adjustable



### 2 Wiring Guide



### Accessories bag includes:



### Zhejiang Hongyao Lighting Electrical Co., Ltd

No.209 Shennan Rd. Da Yang Jie Dao, Linhai City. Zhejiang China 317000 [www.chongyao.com](http://www.chongyao.com)  
Trading@chongyao.com Tel: +86 576-85381918 Fax: +86 576-85381913