

UHB1 Series

LED UFO HIGH BAY

Fixture Type:

Project Name

Location:

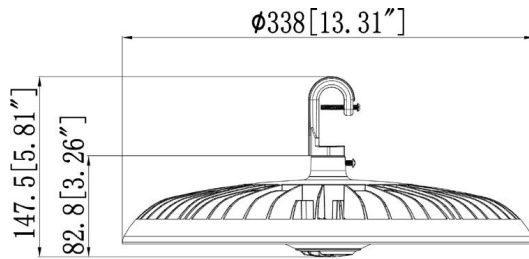
Date:

Features

- A compact and streamlined designed, which allows for efficient heat dissipation and better airflow.
- Durable die-cast aluminum housing with corrosion-resistant black powder coating which prolong the lifespan of the LEDs and ensure reliable performance over an extend period.
- Anti-UV polycarbonate lens designed to shape light uniformly and control glare.
- Wattage selectable provide flexibility in lighting design, allowing you to customize the illumination levels for different areas and tasks.
- Single color temperature 5000K
- Standard voltage 120-277V, optional Step down auto transformer allowing fixtures to be safely operated in 277-480V.
- Available for hook mount/pendant mount (1/2" conduit size)
- Comes with 6 ft long power cable.
- IP65 rating suitable for wet location.



Dimensions



Specification

Material	Die cast aluminum housing with black powder coat finish	Efficacy	171 lm/W
Lens	Anti-UV polycarbonate lens	LED Life Span	50,000 hour LED lifespan
Beam angle	80 degree	Dimmable	0-10V Dimming
IColor Temp	5000K	Lumen Package	17,100 lm to 34,200 lm
CRI	70	Warranty	5 Years
Input Voltage	Standard 100-277V Optional step down transformer use for 277-480V.	Ambient Operation Temperature	-40°C (-40°F) to 50°C (122°F)
Installation	Hook mount (default) Pendant mount(optional 1/2" conduit size)	Listing	DLC PREMIUM UL Listed Wet location



UHB1 Series

LED UFO HIGH BAY

Fixture Type:

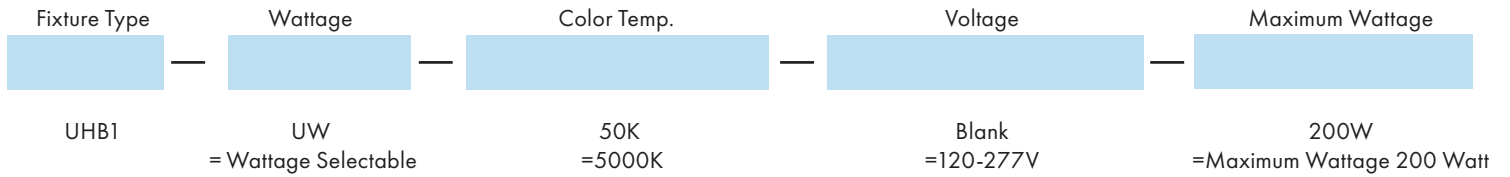
Project Name

Location:

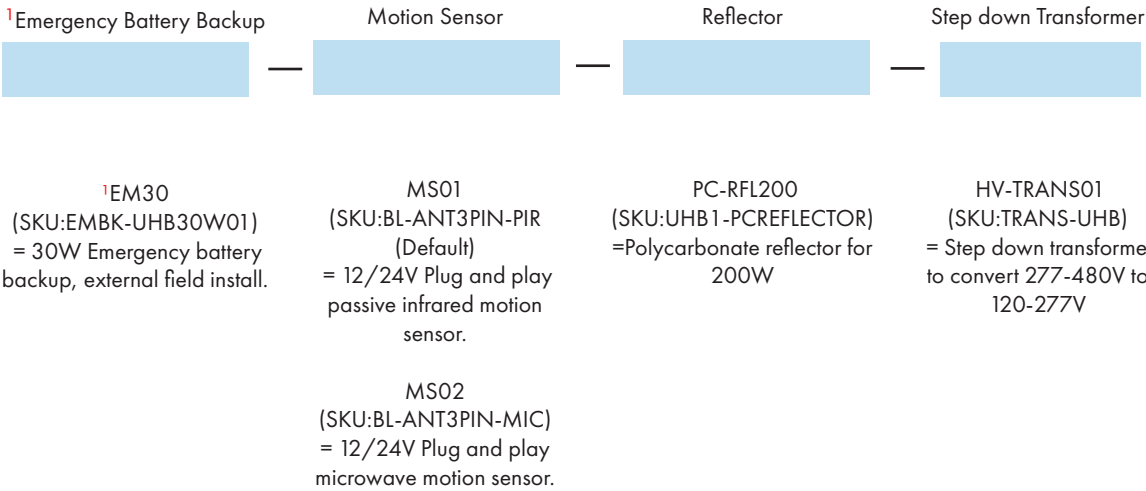
Date:

Ordering Guide

Example: UHB1-UW50K-200W-EM30-MS01-PC-RFL200



Optional Accessories



Note: 1. Emergency battery backup is not suitable for high voltage.



UHB1 Series

LED UFO High Bay

Fixture Type:
Project Name
Location:
Date:

Product Information

5000K		
WATTAGE	LUMEN	EFFICACY
200W	34,200 lm	171lm/W
150W	25,650 lm	171lm/W
100W	17,100 lm	171lm/W



UHB1 Series

LED UFO High Bay

Fixture Type:

Project Name

Location:

Date:

Optional Accessories



Plug and play PIR Motion Sensor

- **SKU: BL-ANT3PIN-PIR**

- 12/24V Passive infrared motion sensor plug and play motion sensor



Plug and play Microwave Motion Sensor

- **SKU: BL-ANT3PIN-MIC**

- 12/24V Microwave motion sensor plug and play motion sensor



External Emergency Battery Backup

- **SKU:EMBK-UHB30W01**

- External battery backup is field install.

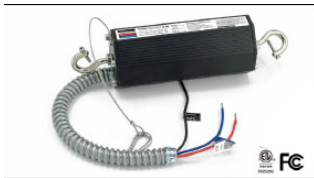
- 90 minutes emergency operation, provide up to 4,200 lm



PC Reflector

- **SKU: UHB1-PCREFLECTOR**

- PC reflector only for 200W



Step down transformer 02

- **SKU: TRANS-UHB**

- Step down auto transformer allowing fixtures to be safely operated in high voltage environments.

-480V to 208V or 347V to 150V or 277V to 120V