

STPL-V Series Vertical Step Light

Features:

- Built in 3W dimmable LED vertical step light
- Die cast aluminum housing
- Suitable for wet location use
- Black, silver gray or oil rubbed bronze finish
- 120V input power
- Triac dimming



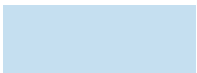
Product Performance

Dimension	4 ³ / ₄ "*2 ⁷ / ₈ "	Power Factor	≥90%
Weight	2 lb	LED Lifespan	50,000 Hrs
CRI	80	Dimmable	Triac dimming
Color Temp	3000K	Warranty	5 Years
Input Voltage	120V	Ambient Operation Temperature	0C° (32°F) ~40C°(104°F)

Ordering Guide

Example: STPL-V3W30KSG

Part Number



STPL-V

Wattage



3W = 3 Watt

Color Temp.



30K = 3000K

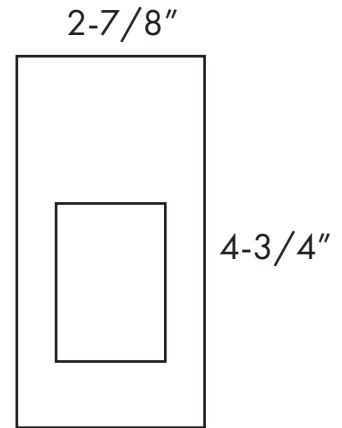
Finish



BK = Black
OB = Oil rubbed bronze
SG = Silver Gray



Dimensions



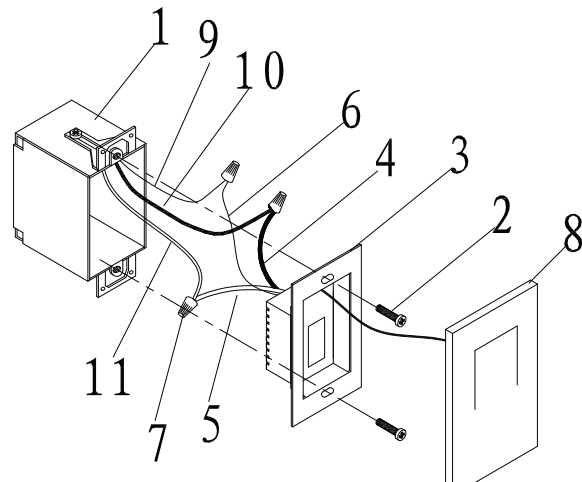
STPL-V Series Vertical Step Light

Performance Data:

3000K		
WATTAGE	LUMEN	EFFICACY
3W	120lm	40lm/W

Installation Guide

1. OUTLET BOX (NOT INCLUDED)
2. FIXTURE SCREW
3. MOUNTING BRACKET
4. BLACK FIXTURE WIRE
5. WHITE FIXTURE WIRE
6. FIXTURE GROUND WIRE
7. WIRE NUTS
8. FACE PLATE
9. POWER SUPPLY GROUND WIRE
10. BLACK SUPPLY WIRE
11. WHITE SUPPLY WIRE



1. Pull the power supply wires out from the OUTLET BOX (1) and mount the MOUNTING BRACKET (3) to the OUTLET BOX (1), using MOUNTING SCREWS (2).

2. Attach the power supply wires to the fixture lead wires by connecting Black to black (10), White to white (11). Attach the POWER SUPPLY GROUND WIRE (9) from the OUTLET BOX and the fixture ground wire (6) by using wire nut (7)

3. After wires are connected, tuck them carefully inside the outlet box.

4. Place face plate (8) on the fixture.