

WM1 Series

LED Security Wall Mount

Fixture Type:

Project Name

Location:

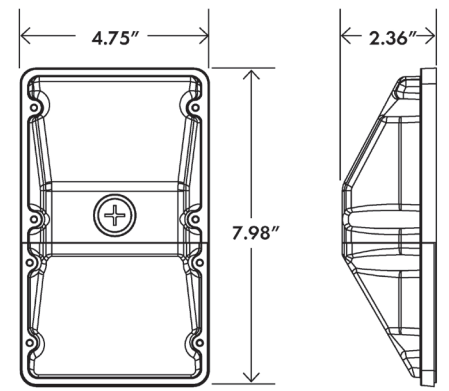
Date:

Features

- 3CCT color temperature adjustable wall mount.
- Protective polycarbonate lens front covers the LEDs.
- Rugged die cast aluminum housing with standard dark bronze finish.
- Front cover is impact-resistant polycarbonate which is fully gasketed.
- Easy wall mount installation.
- Photocell pre-installed.



Dimensions

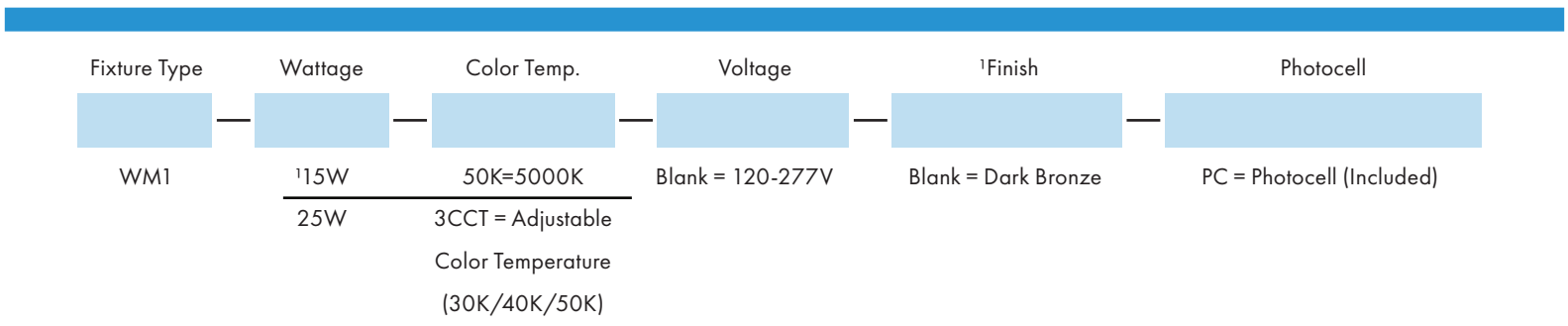


Product Performance Standard

Size	7.98 in x 4.75 in x 2.36in	Power Factor	90%
Weight	2 lb	Life Span	50,000 Hrs
IP Rate	IP65	Dimmable	1-10V Dimmable
Color Temp	3CCT 30K/40K/50K	Efficacy	up to 127 lm/W
CRI	80	Warranty	5 Years
Input Voltage	120-277V	Ambient Operation Temperature	-30C° (-22°F) ~ 45° (113°F)

Ordering Guide

Example: WM1 25W 3CCT



Notes: 1. 15W is only available in single color temperature only.

Fixture Type:
Project Name
Location:
Date:

Product Information

5000K		
WATTAGE	LUMEN	EFFICACY
15W	2100lm	140lm/W

3000K		4000K		5000K		
WATTAGE	LUMEN	EFFICACY	LUMEN	EFFICACY	LUMEN	EFFICACY
25W	2807lm	112lm/W	3045lm	127lm/W	2952lm	119lm/W

Photocell



Internal Button Photocell (Included)

- Internal Photocell is pre installed
- Come with the photocell cover to disable the function.

For the accessories detail, please visit www.lironlighting.com/product_categories/add-on-accessories