

Fixture Type:

Project Name

Location:

Date:

Straight Square Steel Poles

Features:

- Straight square steel light pole
- Available side drilled for arm mounted area lighting luminaires or with tenon mounts for flood or post top luminaires
- Mounting heights of 10 to 30 feet can be used based on selected luminaire application
- Textured architectural bronzed powder coat finish



Specification:

| CATALOG | HEIGHT | GAUGE | SIZE | BASE | BOLT CIRCLE | BOLT PROJ. | BOLT SIZE | WEIGHT (LBS) | EPA 70 | EPA 80 | EPA 90 | EPA 100 | EPA 110 | EPA 120 |
|---------|--------|-------|-------|-----------|-------------|-------------|-------------|--------------|--------|--------|--------|---------|---------|---------|
| LP-SS | 10ft | 11 | 4"x4" | 11" | 8" - 10" | 2.75" | 3/4"x17"x3" | 88 | 25.2 | 20.5 | 17.1 | 11.4 | 10.3 | 9.6 |
| | 15ft | | | | | | | 117 | 15.2 | 12.5 | 10.1 | 8.5 | 6.9 | 5.4 |
| | 20ft | | | | | | | 152 | 9.2 | 7.3 | 6 | 4.2 | 3 | 1.6 |
| | 25ft | | | | | | | 190 | 8.9 | 6.9 | 5.7 | 4.1 | 3.6 | 2.2 |
| | 30ft | | 5"x5" | 10" - 12" | 3.375" | 3/4"x17"x4" | 267 | 7.2 | 5.4 | 4.1 | 3.8 | 2.8 | 1.2 | |

Ordering Guide

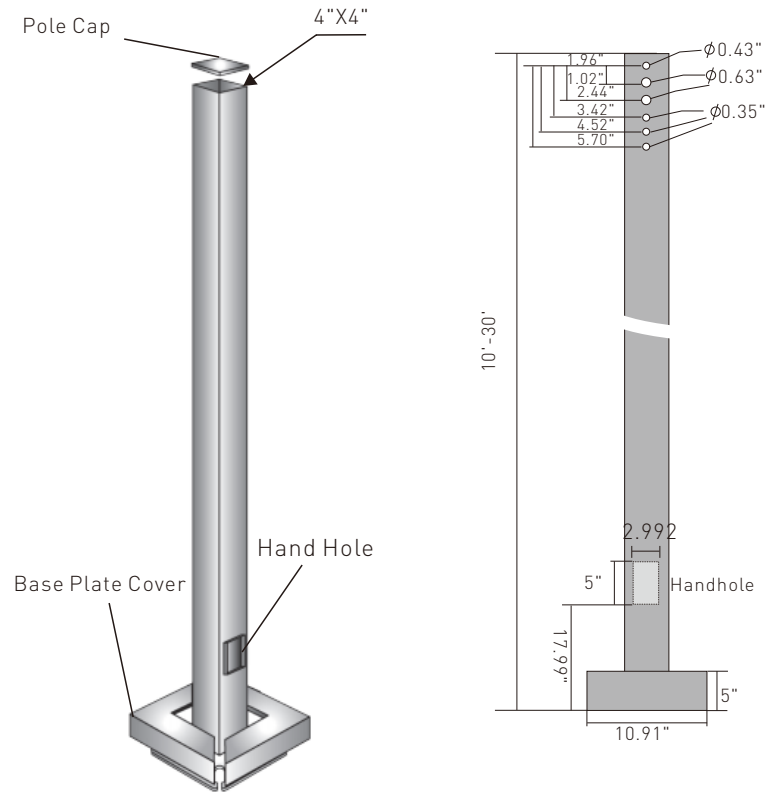
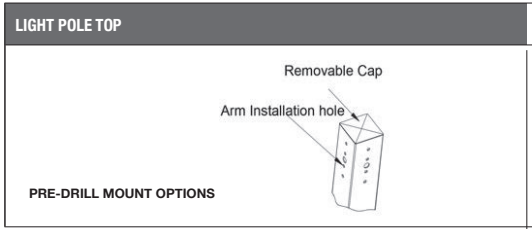
Example: LP-SS-30FT-5

| SKU | Height | Size | Accessories Included: |
|-------|-------------------|--------|---------------------------------|
| LP-SS | 10FT | 4 = 4" | LP-BMS=Anchor Bolt |
| | 15FT | | LP-SPP =Screw Positioning Plate |
| | 20FT | | LP-S4 =4" Base shield |
| | 25FT | | LP-S5 =5" Base shield |
| | ¹ 30FT | 5 = 5" | |

Note:1. 30FT pole is 5" x 5".

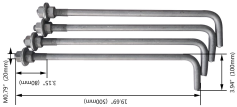
Straight Square Steel Poles

Dimensions:



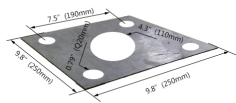
Accessories:

Anchor Bolts (LP-BMS)



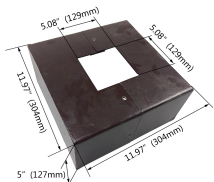
Before installing the lamp pole, the installation hook should be buried underground and fixed by cement. After fixing, the lamp pole should be fixed by locking screw and base installed.

Positioning Plate (LP-SPP)



This is a screw rod positioning plate. After the screw rod of the lamp rod base is fixed underground, the positioning plate is fixed with the screw rod to prevent the screw rod from deviation. Finally, the lamp rod is locked.

4" or 5" Base Shield (LP-S4/LP-S5)



The 4" or 5" Installation of base shield is used to protect the base after fixing the lamp pole, so that the lamp pole base is not damaged, thereby increasing the service life of the lamp pole.