

Fixture Type:

Project Name

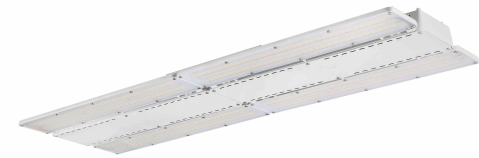
Location:

Date:

CLHB Series Linear High Bay



180W/210W



360W/420W

Features:

- Die-cast aluminum enables sturdy structure and superior thermal performance
- High efficacy LEDs provide up to 143 lm/W
- Extremely low profile design - only 2" overall height
- Quick and simple hanging systems include steel wire rope pendant and surface mount also available
- Engineered optics glare control lens provides comfortable distribution and glare reduction
- Optional PIR internal motion sensor and emergency battery backup
- Optional wire guard
- Suitable for damp location



Product Performance

Size	See Dimension Chart	Power Factor	>0.9
Weight	3.94lb/6.9lb/8.14lb/14.32lb	Life Span	50,000 Hrs
Mounting	Suspension/Pendant/Surface	Dimmable	1-10V Dimming
Color Temp	3000K/4000K/5000K	Efficacy	143lm/W
CRI	80	Warranty	10 Years
Input Voltage	120-277V/347-480V	Ambient Operation Temperature	-40C° (40°F) ~55C°(131°F)

Ordering Guide Example: CLHB 180W40K

Fixture Type	Wattage	Color Temp.	Voltage	Finish
CLHB	180W 210W *360W *420W	40K = 4000K 50K = 5000K	Blank = 120-277V HV = 347-480V	Blank = White

Note: *360W/420W, consult factory for availability.

See next page for option mounting and accessories ordering detail.

Fixture Type:

Project Name

Location:

Date:

CLHB Series Linear High Bay

Optional Mounting

Mounting

Blank = Suspension Mount

*PD = Pendant mount KIT

*SF = Surface mount KIT

Note: *Special mounting option, consult factory for availability.

Pendant mount and surface mount can not support emergency battery backup

Optional Accessories

Motion Sensor

Blank = No Motion Sensor

¹MS01 = Motion Sensor
(BL-PIR-INT)

Emergency Battery

Blank = No Emergency Battery

¹EM = Emergency Battery Backup
(EMBK-8W-CLHB)

Wire Guard

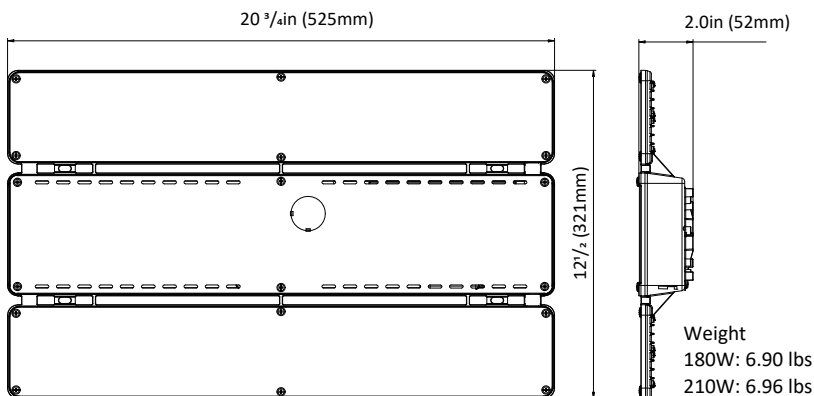
Blank = No Wire Guard

WG-CLHB130W

WG-CLHB210W

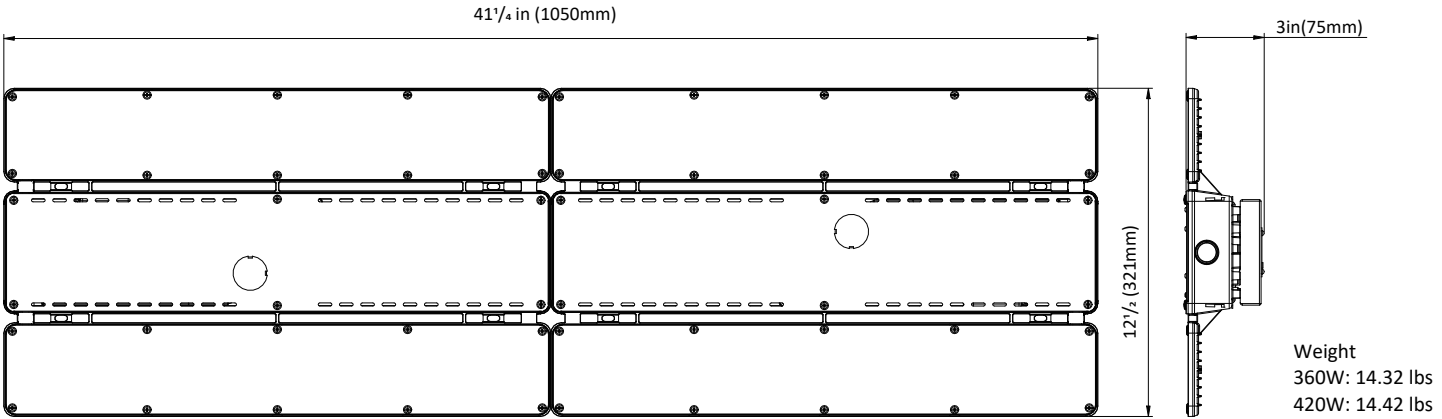
Note: 1.Motion sensor & Emergency battery only available in 120-277V.

Dimensions:

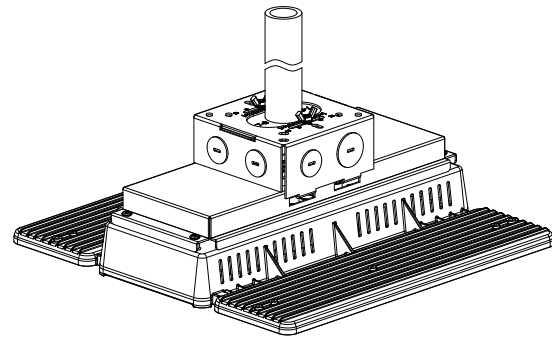
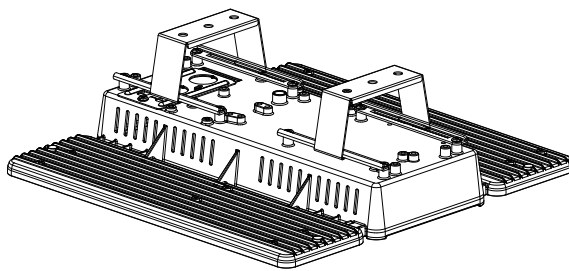
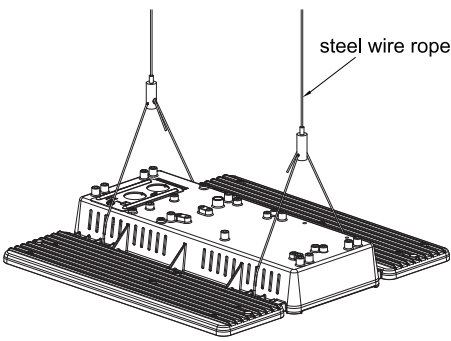


CLHB Series Linear High Bay

Fixture Type:
Project Name
Location:
Date:



Mounting



Suspended Mount
(Default)

Surface Mount
(Option)

Pendant Mount
(Option)

Fixture Type:

Project Name

Location:

Date:

CLHB Series Linear High Bay

Performance Data:

4000K			5000K	
WATTAGE	LUMEN	EFFICACY	LUMEN	EFFICACY
180W	24300lm	135lm/W	24500lm	135lm/W
210W	30000lm	143lm/W	30300lm	143lm/W
360W	49000lm	136lm/W	49200lm	136lm/W
420W	60000lm	143lm/W	60200lm	143lm/W

Optional Accessories



PIR Internal Motion Sensor

- SKU: BL-PIR-INT
- Internal PIR motion sensor is field installed or pre-installed by request



Separate Enclosure Emergency Battery Backup

- SKU: EMBK-8W-CLHB
- Separate enclosure battery backup is field installed or pre-installed by request
- Delivered 900 lumen 90 min emergency use
- Not support for pendant mount and surface mount



Wire Guard

- SKU: WG-CLHB210W
- Excellent choice for linear high bay to avoid luminous surface being damaged