

CLHB Series Linear High Bay



180W/210W

Features:

- Die-cast aluminum enables sturdy structure and superior thermal performance
- High efficacy LEDs provide up to 143 lm/W
- Extremely low profile design - only 2" overall height
- Quick and simple hanging systems include steel wire rope pendant and surface mount also available
- Engineered optics glare control lens provides comfortable distribution and glare reduction
- Optional PIR internal motion sensor and emergency battery backup
- Optional wire guard
- Suitable for damp location

Product Performance



| | | | |
|----------------------|----------------------------|--------------------------------------|------------------------------|
| Size | See Dimension Chart | Power Factor | >0.9 |
| Weight | 3.94lb/6.9lb | Life Span | 50,000 Hrs |
| Mounting | Suspension/Pendant/Surface | Dimmable | 1-10V Dimming |
| Color Temp | 5000K | Efficacy | 143lm/W |
| CRI | 80 | Warranty | 10 Years |
| Input Voltage | 120-277V/347-480V | Ambient Operation Temperature | -40C° (40°F) ~55C°(131°F) |

Ordering Guide Example: CLHB 180W40K

| Fixture Type | Wattage | Color Temp. | Voltage |
|--------------|--------------|-------------|------------------|
| CLHB | 180W 210W | 50K = 5000K | Blank = 120-277V |

Fixture Type:

Project Name

Location:

Date:

CLHB Series Linear High Bay

Optional Mounting

Mounting

Blank = Suspension Mount

*PD = Pendant mount KIT

*SF = Surface mount KIT

Note: *Special mounting option, consult factory for availability.

Pendant mount and surface mount can not support emergency battery backup

Optional Accessories

Motion Sensor

Blank = No Motion Sensor

¹MS01 = Motion Sensor
(BL-PIR-INT)

Emergency Battery

Blank = No Emergency Battery

¹EM = Emergency Battery Backup
(EMBK-8W-CLHB)

Wire Guard

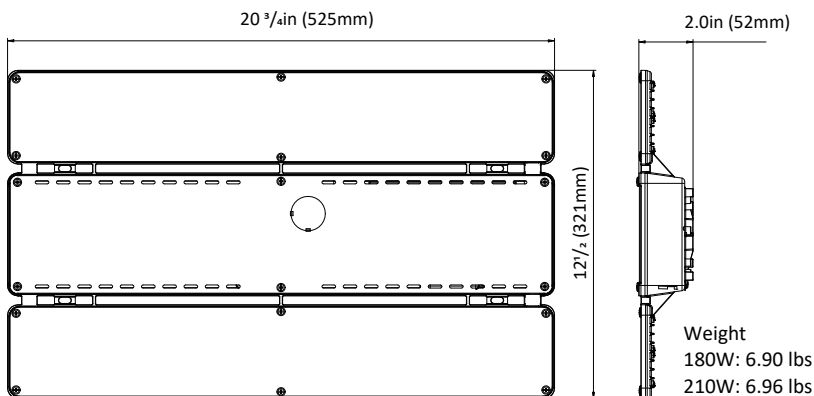
Blank = No Wire Guard

WG-CLHB130W

WG-CLHB210W

Note: 1.Motion sensor & Emergency battery only available in 120-277V.

Dimensions:



Fixture Type:

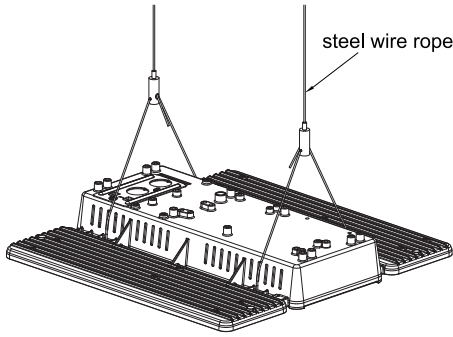
Project Name

Location:

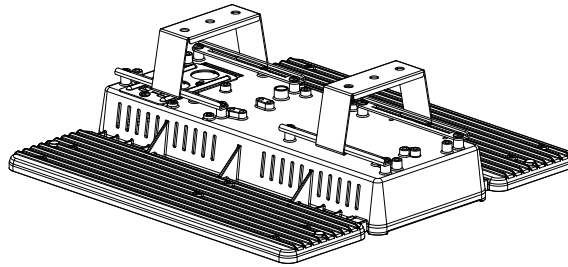
Date:

CLHB Series Linear High Bay

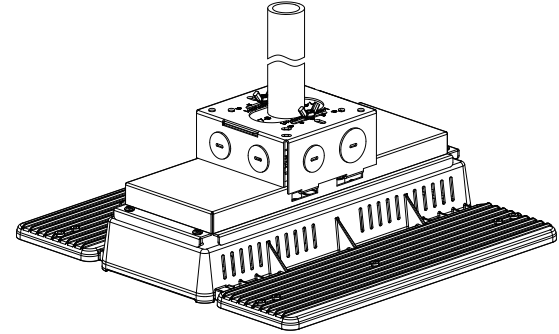
Mounting



Suspended Mount
(Default)



Surface Mount
(Option)



Pendant Mount
(Option)

Fixture Type:

Project Name

Location:

Date:

CLHB Series Linear High Bay

Performance Data:

| 4000K | | | 5000K | |
|---------|---------|----------|---------|----------|
| WATTAGE | LUMEN | EFFICACY | LUMEN | EFFICACY |
| 180W | 24300lm | 135lm/W | 24500lm | 135lm/W |
| 210W | 30000lm | 143lm/W | 30300lm | 143lm/W |
| | | | | |
| | | | | |

Optional Accessories



PIR Internal Motion Sensor

- SKU: BL-PIR-INT
- Internal PIR motion sensor is field installed or pre-installed by request



Separate Enclosure Emergency Battery Backup

- SKU: EMBK-8W-CLHB
- Separate enclosure battery backup is field installed or pre-installed by request
- Delivered 900 lumen 90 min emergency use
- Not support for pendant mount and surface mount



Wire Guard

- SKU: WG-CLHB210W
- Excellent choice for linear high bay to avoid luminous surface being damaged