

Wall Mount Bracket

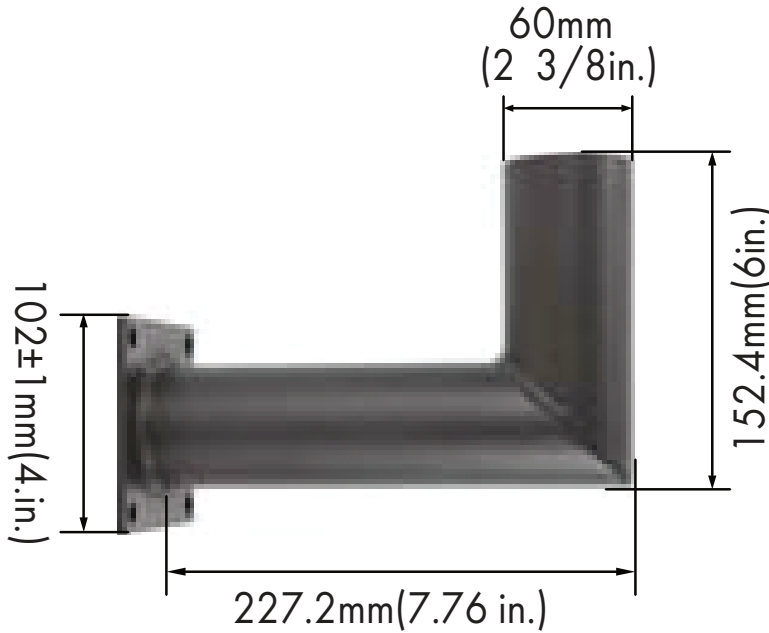
Fixture Type:

Project Name

Location:

Date:

90° Wall Mount Bracket with 2-3/8" O.D. Tenon



90° Wall Mount Bracket with 2-3/8" O.D. Tenon

Part number: PKBRK-SPLAP

Finish: Dark Bronze

USE: The 90° wall mount bracket with 2-3/8" tenon attaches floodlight to almost any surface: wall, roof. Provides wiring access and a built-in 2-3/8" O.D. tenon to mount a fixture with our adjustable slipfitter. Suggested 3/8" diameter bolts for mounting.

Mounting holes are spaced 3-1/4" apart.