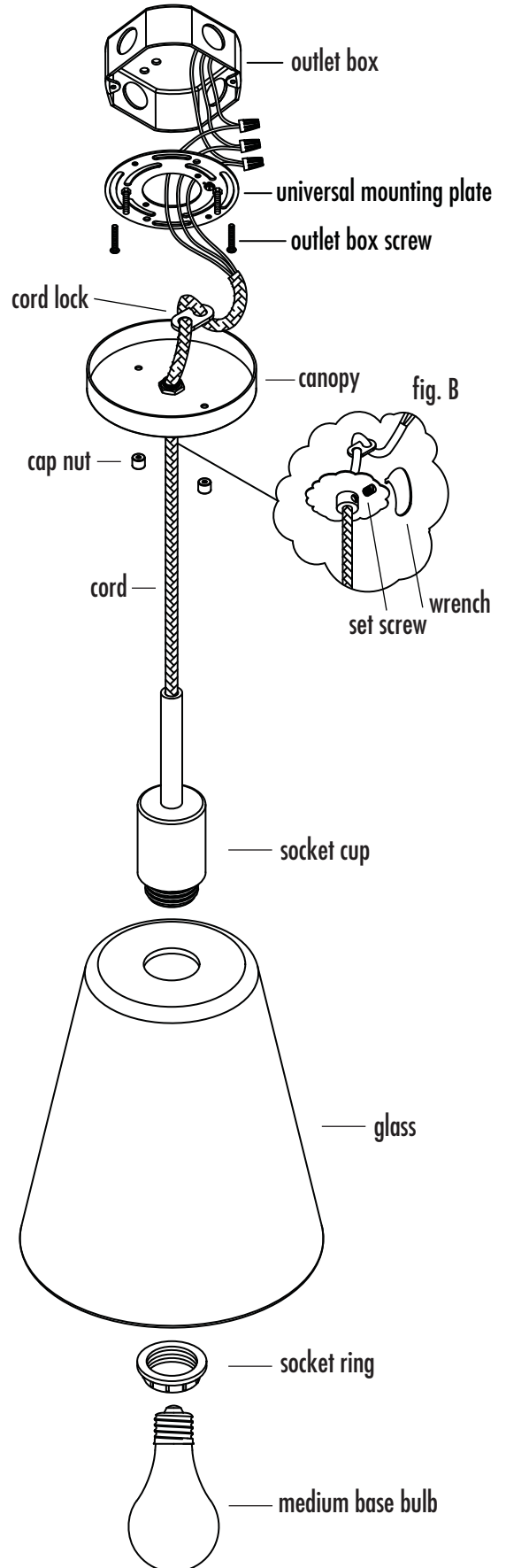
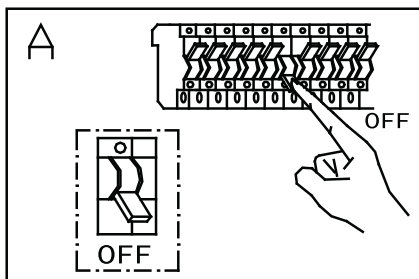


Important: Always disconnect the power before installing or replacing bulb and before cleaning or other maintenance.

This light should be installed by a licensed electrician

LAMP INSTALLATION AND ASSEMBLY

1. Shut off power to the outlet box. (fig. A)
2. Attach the universal mounting plate to the outlet box, secure with outlet box screws.
3. Determine the height at which the fixture is to be hung. Use wrench to loosen set screw.(fig. B) Adjust the cord to the desired length and, if necessary, cut cord to length plus six inches. Tighten set screw to set.
4. Adjust the cord lock in canopy to prevent slippage.
5. Make appropriate electrical connections using wire nuts:
 - a. Connect the fixture's live wire (black) to the live outlet box wire.
 - b. Connect the fixture's neutral wire (white) to the neutral outlet box wire.
 - c. Connect fixture's ground wire (green or uncoated) to the ground outlet box wire. If no ground is present in outlet box, connect fixture's ground wire to the mounting plate using the green screw (included).
 - d. Carefully place connections in outlet box.
6. Attach canopy to universal mounting plate, secure with cap nuts.
7. Place glass on the socket cup, secure with socket ring.
8. Install 60W medium base bulb (not included).
9. Restore power to the fixture.



CARE INSTRUCTIONS

Dusting – Use a clean, dry cloth.
Cleaning – To protect the finish, avoid any harsh abrasives or chemicals.

