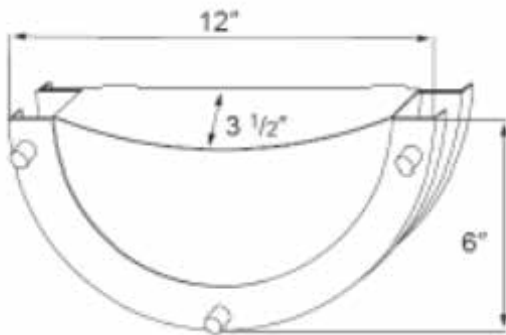


FIXTURE TYPE:
 PROJECT NAME:
 LOCATION:
 DATE:

LED INDOOR WALL SCONCE



Dimensions



Specification

Material	Steel
Lens	Acrylic lens
Beam Angle	100 degree
Color Temp	3000K, 4000K, 5000K
CRI	80 CRI
Input Voltage	120V
Installation	Wall Mount
Efficacy	Up to 85 lm/W
LED Life Span	50,000 hrs
Dimmable	Triac Dimming
Lumen Package	12W 850lm
Warranty	5 Years
Ambient Operation Temperature	-20°C (-4°F)~45° C(113°F)
Listing	ETL Listed Damp location listed

FIXTURE TYPE:
 PROJECT NAME:
 LOCATION:
 DATE:

LED INDOOR WALL SCONCE

Features

- Durable steel mounting frame.
- White opal acrylic lens.
- Integrated, long-lasting LED light source that is energy-efficient and requires no maintenance.
- Delivers up to 850 lumens with a 12W power consumption.
- 3 color temperature options 3000K, 4000K or 5000K.
Brush nickel or oil bronze frame finish.

Ordering Guide Example: W01-12W-30K-BN

Fixture Type	Wattage	CCT	Finish
W01	12W = 12 Watts 840 lumen	30K=3000K 40K=4000K 50K=5000K	BN = Brush Nickel OB = Oil Bronze

Notes: W01-12W-30K-BN (3000K Brush nickel finish) is eligible for quick ship.