

INSTALLATION INSTRUCTIONS

LED LINEAR VANITY LIGHT FIXTURE

Please read and understand this entire manual before attempting to assemble, operate or install the product.

WARNING: Avoid fire or electric shock. Follow installation instructions carefully. Risk of fire or electric shock. LED Retrofit Kit installation requires knowledge of luminaires electrical systems. If not qualified, do not attempt installation. Contact a qualified electrician.

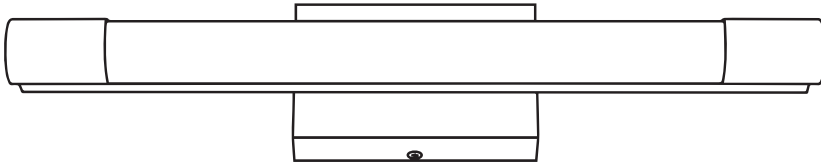
Install this kit only in luminaires that have the construction features and dimensions shown in the photographs and/or drawings and where the input rating of the retrofit kit does not exceed the input rating of the luminaire. Wear rubber-soled shoes and work on a sturdy ladder. Ground fixture to avoid potential electrical shock. Do not make or alter any open holes in an enclosure of wiring or electrical components during kit installation. To prevent wiring damage or abrasion, do not expose wiring to edges of sheet metal or other sharp objects.



CAUTION: Turn off the power at fuse or circuit breaker box before installation and maintenance to avoid electric shock. This retrofit should be used on 120-Volt fused circuits. Fixture must be installed according to National Electric Code and local building codes. If you are unsure about wiring consult a qualified electrician. **THIS FIXTURE BODY IS ONE PIECE, DO NOT DISASSEMBLE OR MAKE ALTERATIONS.** Not to be used for emergency lighting. Suitable for damp locations.

This device complies with part 15 of the FCC Rules. Operation is subject to the following two conditions: (1) this device may not cause harmful interference, and (2) this device must accept any interference received, including that may cause undesired operation.

Retain these instructions for future maintenance reference.

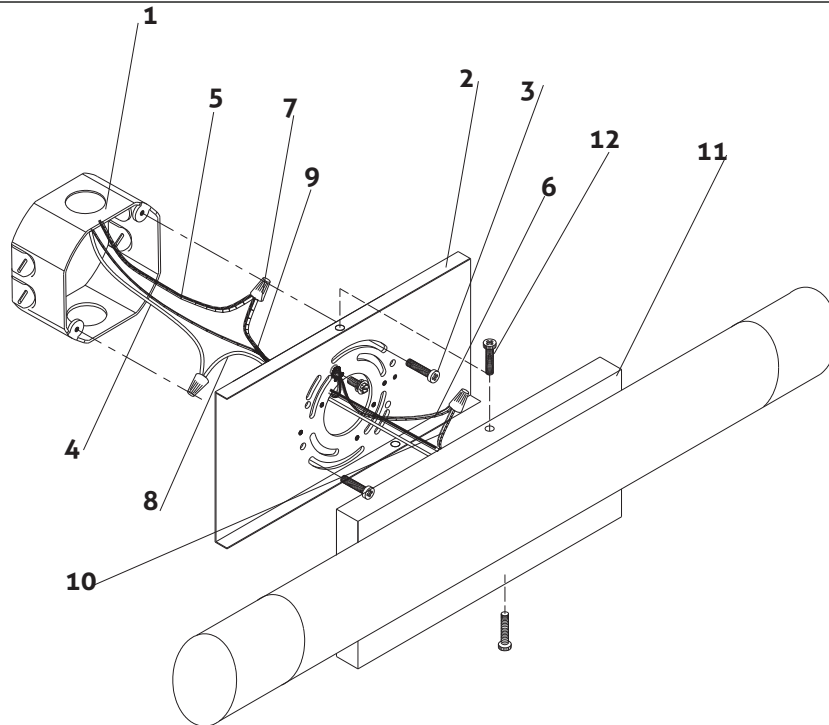


DIMMABLE

The lamp may not be compatible with all dimmers.
Go to www.Sunlite.com/Dimmers to find dimmer compatibility information.



Installation



1. Outlet Box (Not Included)
2. Mounting Screw
3. Mounting Bracket
4. White Supply Wire
5. Black Supply Wire
6. Supply Ground Wire
7. Wire Nut
8. White Fixture Wire
9. Black Fixture Wire
10. Fixture Ground Wire
11. Ceiling Pan
12. Screw

- STEP 1.** Make sure the power is turned off at the source to the junction box.
- STEP 2.** Pull the power supply wires out from the outlet box (1). Attach the mounting backplate (2) to the outlet box using two mounting screws (3).
- STEP 3.** Make wire connections, connect the black supply wire (5) to black fixture wire (11), white supply wire (4) to white fixture wire (10) and the fixture ground wire (12) to supply ground wire (6) using wire nuts (7). Wrap all wire connections with electrical tape for secure connection.
- STEP 4.** Place the pan base (11) of the lamp over the mounting backplate (2). Insert the fixture pan screws (12) and tighten to secure the lamp to the ceiling.
- STEP 5.** Install light bulbs (Not included), DO NOT exceed wattage maximum as indicated on the rating label.