

W91 Series

LED Indoor Wall Sconce

Fixture Type:

Project Name

Location:

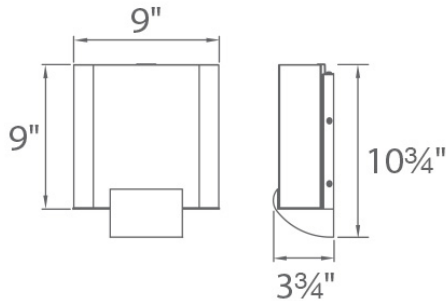
Date:

Features

- Solid steel construction, high performance LED with etched opal glass shade.
- The integrated 20-watt LED delivers up to 1,000 lumens.
- 120V DC input.
- Optional 3000K, 4000K, or 5000K color temperature.
- Brush nickel finish.
- Suitable for damp location.



Dimensions



Specification

Material	Steel	Efficacy	Up to 50 lm/W
Lens	Etched opal glass	LED Life Span	50,000 hrs
Beam angle	60 degree	Dimmable	TRAIC Dimming
Color Temp	3000K, 4000K, 5000K	Lumen Package	20W 1,000lm
CRI	80 CRI	Warranty	5 Years
Input Voltage	120V	Ambient Operation Temperature	-20°C (-4°F) ~45° C(113°F)
Installation	Wall Mount	Listing	ETL Listed Damp location listed



W91 Series

LED Indoor Wall Sconce

Fixture Type:

Project Name

Location:

Date:

Ordering Guide

Example: W91-10-1-1

Fixture Type	Wattage	CCT	Finish
W91	10 =20W 1,000 lumen	1=3000K 2=4000K 3=5000K	1= Brush Nickel 2=Oil Bronze 4=Black

Note: The W91-10-1-1 (3000K,brush nickel) is eligible for quick shipping. Other finish require a minimum order quantity. Please contact the factory for lead time and availability.