

# W01 Series

LED Indoor Wall Sconce

**Fixture Type:**

**Project Name**

**Location:**

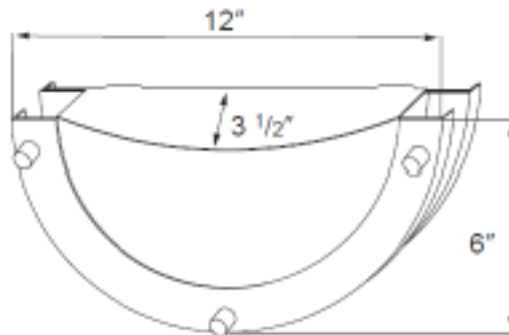
**Date:**

## Features

- Durable steel mounting frame.
- White opal acrylic lens.
- Integrated, long-lasting LED light source that is energy-efficient and requires no maintenance.
- Delivers up to 850 lumens with a 12W power consumption.
- 3 color temperature options 3000K, 4000K or 5000K.
- Brush nickel or oil bronze frame finish.



## Dimensions



## Specification

<b>Material</b>	Steel	<b>Efficacy</b>	Up to 85 lm/W
<b>Lens</b>	Acrylic lens	<b>LED Life Span</b>	50,000 hrs
<b>Beam angle</b>	100 degree	<b>Dimmable</b>	Triac Dimming
<b>Color Temp</b>	3000K, 4000K, 5000K	<b>Lumen Package</b>	12W 850lm
<b>CRI</b>	80 CRI	<b>Warranty</b>	5 Years
<b>Input Voltage</b>	120V	<b>Ambient Operation Temperature</b>	-20°C (-4°F) ~45° C(113°F)
<b>Installation</b>	Wall Mount	<b>Listing</b>	ETL Listed Damp location listed



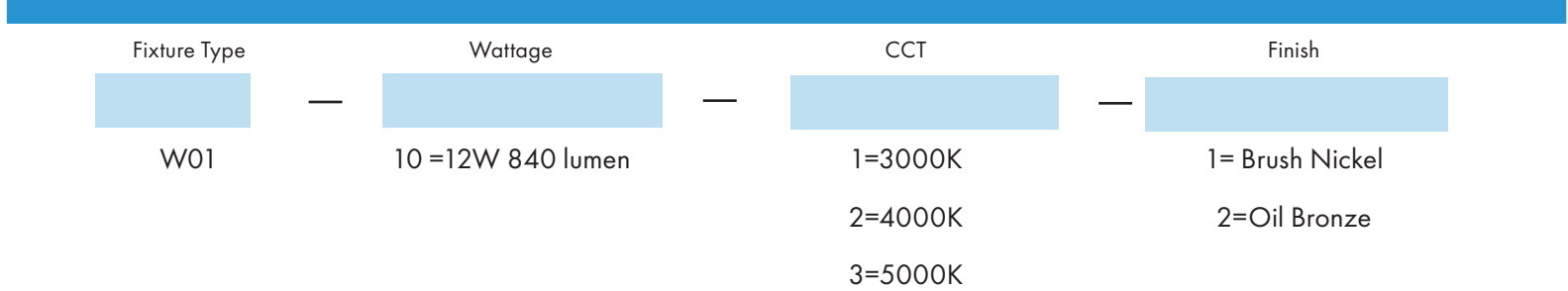
# W01 Series

LED Indoor Wall Sconce

<b>Fixture Type:</b>
<b>Project Name</b>
<b>Location:</b>
<b>Date:</b>

## Ordering Guide

Example: W01-10-1-1



Notes: W01-10-1-1 (3000K Brush nickel finish) is eligible for quick ship.