

HZG Series Hazardous Location Fixture

| |
|----------------------|
| Fixture Type: |
| Project Name: |
| Location: |
| Date: |

Features

- Copper-free aluminum housing with tempered glass lens
 - High quality SMT LED and Meanwell driver
 - Heavy duty and high impact resistance
 - Gray epoxy powder coat finish
 - Rugged housing with superior thermal design translates to long luminaire life
 - Integrated junction box for driver
 - 0-10V dimming
 - Marine rating powder coated finish treatment
 - Standard ceiling mount
- pendent mount/pole mount/arm mount also available
- Choice of glass or polycarbonate lens for different application
 - Fixture operates safely in high ambient temperatures 40°F to 149°F(-40°C to 65°C)



Certification

Marking UL844

- Class I, Division 1, Groups C,D
- Class I, Division 2, Groups A,B,C,D
- Class II, Division 1, Groups E,F,G
- Class II, Division 2, Groups F,G
- Class III

Marine Marking

- UL 1598, UL1598A
- ABS
- Other Rating
- IP 66



Ordering Guide

| Fixture Type | Wattage | Color Temp. | Voltage | Dimming | Beam Angle | Lens |
|--------------|---------|-------------|------------------|-------------|-------------|--------------------|
| HZG1 | 10W | 35K = 3500K | Blank = 100-277V | DIM = 0-10V | D120 = 120° | Blank = Glass Lens |
| | 20W | 40K = 4000K | | | | |
| | 30W | | 50K = 5000K | | | |
| | 40W | | | | | |
| 50W | | | | | | |

Mounting Methods



- Blank = Ceiling Mounting
- WM = Wall Mounting
- PM1 = Pendant Mounting (vertical)
- PM2 = Pendant Mounting (non-vertical)

Optional Accessories

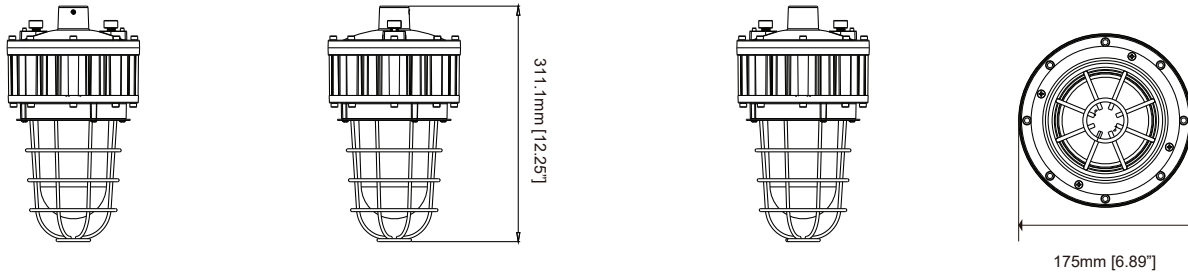


- LS = Lamp Shade
- CLS = Cut-off Lamp Shade

HZG Series Hazardous Location Fixture

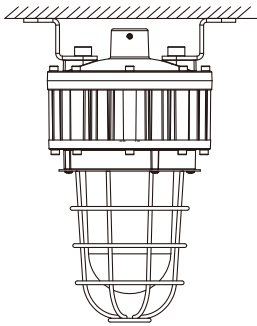
| |
|----------------------|
| Fixture Type: |
| Project Name: |
| Location: |
| Date: |

Dimension

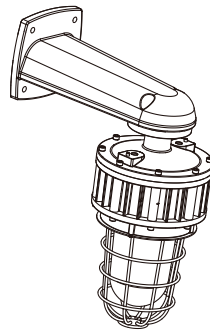


Mounting

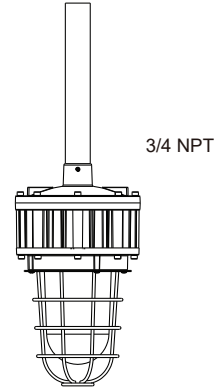
Ceiling Mount



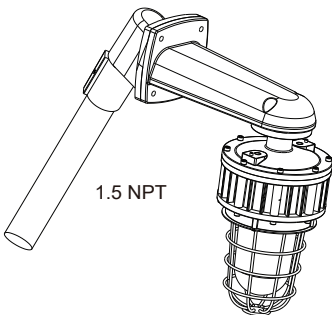
Arm Mount



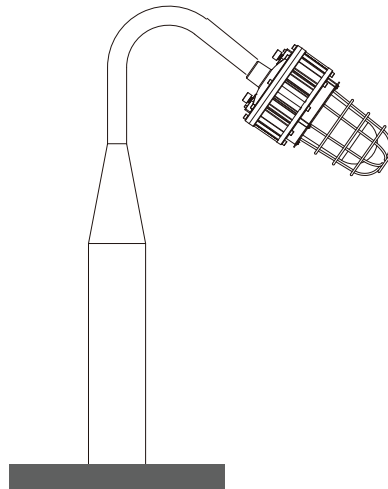
Pendent Mount



Arm Mount to pole



Pole Mount





Fixture Type:

Project Name:

Location:

Date:

HZG Series Hazardous Location Fixture

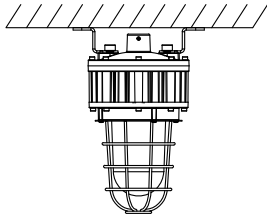
Performance Data

| 5000K | | | | |
|--------|---------|----------|---------|----------|
| SERIES | WATTAGE | VOLTAGE | LUMEN | EFFICACY |
| HZG1 | 10W | 100-277V | 1140 lm | 114 lm/W |
| | 20W | 100-277V | 2280 lm | 114 lm/W |
| | 30W | 100-277V | 3300 lm | 110 lm/W |
| | 40W | 100-277V | 4400 lm | 110 lm/W |
| | 50W | 100-277V | 5450 lm | 109 lm/W |

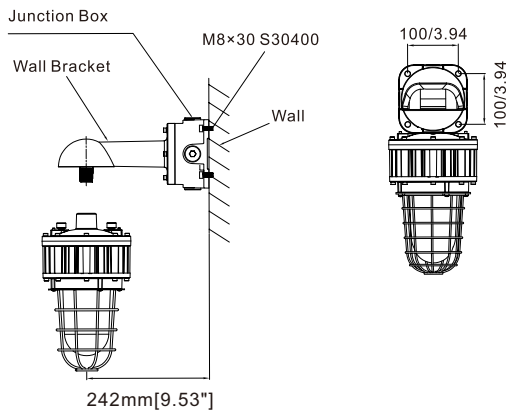
HZG Series Hazardous Location Fixture

Mounting Methods

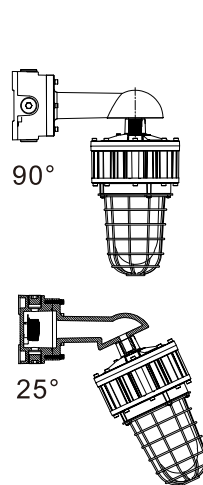
• Option 1: Ceiling Mounting



• Option 2: Wall Mounting



• Accessories

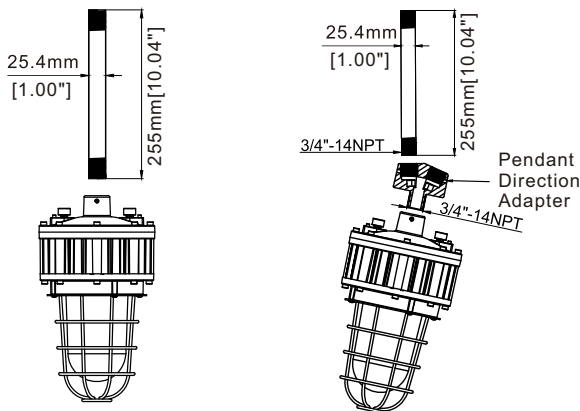


Stanchion Arm
EX-HD51-KYD 90



Stanchion Arm
EX-HD51-KYD 25

• Option 3: Pendant Mounting (Vertical)



• Accessories



Pole
Ex-Straight Pipe



Pendant Direction Adapter
Ex-D01

Fixture Type:

Project Name:

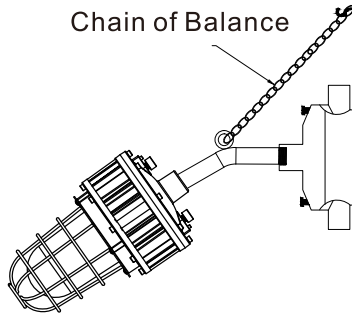
Location:

Date:

HZG Series Hazardous Location Fixture

Mounting Methods

- Option 4: Pendant Mounting (Non-vertical)



- Accessories



Junction Box
EX-HD51-KB1



Pole
Ex-Bended Pipe



Pendant Chain
Ex-Straight Chain

- Other Optional Accessories



Lamp Shade



Cut-off Lamp Shade