

# HZG Series Hazardous Location Fixture

## Fixture Type:

Project Name:

Location:

Date:

### Features

- Copper-free aluminum housing with tempered glass lens
- High quality SMT LED and Meanwell driver
- Heavy duty and high impact resistance
- Gray epoxy powder coat finish
- Rugged housing with superior thermal design translates to long luminaire life
- Integrated junction box for driver
- Standard non dimmable driver, 0-10V dimming driver available
- Marine rating powder coated finish treatment
- Standard ceiling mount  
pendent mount/pole mount/arm mount also available
- Choice of glass or polycarbonate lens for different application
- Fixture operates safely in high ambient temperatures 40°F to 149°F (-40°C to 65°C)



### Certification

#### Marking UL844

- Class I, Division 1, Groups C,D
- Class I, Division 2, Groups A,B,C,D
- Class II, Division 1, Groups E,F,G
- Class II, Division 2, Groups F,G
- Class III

#### Marine Marking

- UL 1598, UL1598A
- ABS
- Other Rating
- IP 66



### Ordering Guide

Fixture Type	Wattage	Color Temp.	Voltage	Dimming	Beam Angle	Lens
HZG1	10W 20W 30W 40W 50W	35K = 3500K 40K = 4000K 50K = 5000K	Blank = 100-277V HV = 200-480V	Blank = Non Dimmable DIM = 0-10V	D 120 = 120°	Blank = Glass Lens PC = PC Lens

#### Mounting Methods

- CM = Ceiling Mounting
- WM = Wall Mounting
- PM1 = Pendant Mounting (vertical)
- PM2 = Pendant Mounting (non-vertical)

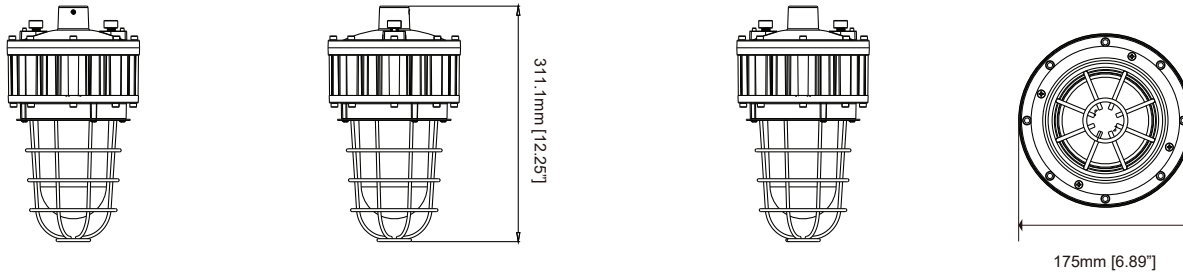
#### Optional Accessories

- LS = Lamp Shade
- CLS = Cut-off Lamp Shade



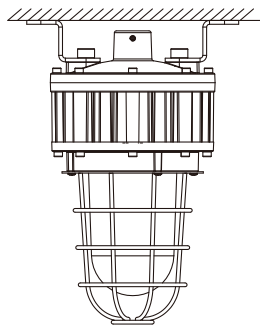
<b>Fixture Type:</b>
<b>Project Name:</b>
<b>Location:</b>
<b>Date:</b>

## Dimension

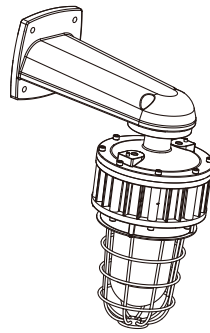


## Mounting

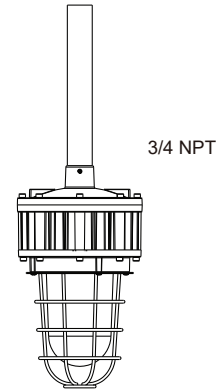
Ceiling Mount



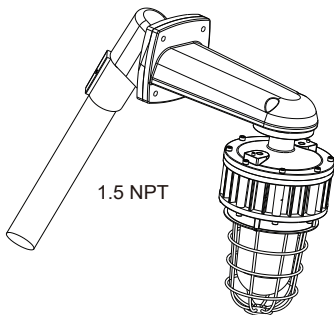
Arm Mount



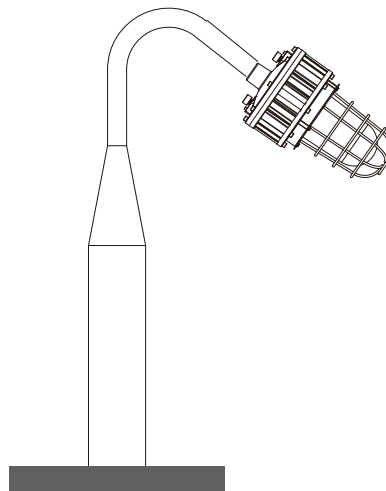
Pendent Mount



Arm Mount to pole



Pole Mount





**Fixture Type:**

Project Name:

Location:

Date:

# HZG Series Hazardous Location Fixture

## Performance Data

5000K				
SERIES	WATTAGE	VOLTAGE	LUMEN	EFFICACY
HZG1	10W	100-277V	1140 lm	114 lm/W
	20W	100-277V	2280 lm	114 lm/W
	30W	100-277V	3300 lm	110 lm/W
	40W	100-277V	4400 lm	110 lm/W
	50W	100-277V	5450 lm	109 lm/W



**Fixture Type:**

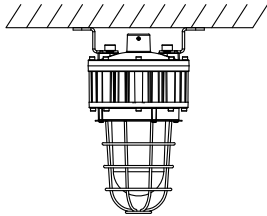
**Project Name:**

**Location:**

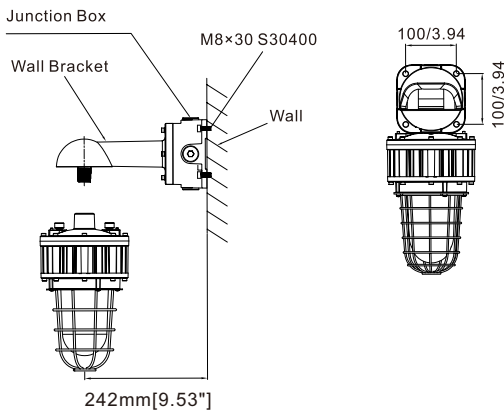
**Date:**

## Mounting Methods

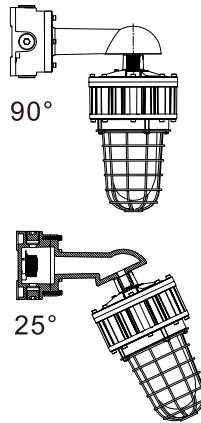
### • Option 1: Ceiling Mounting



### • Option 2: Wall Mounting



### • Accessories

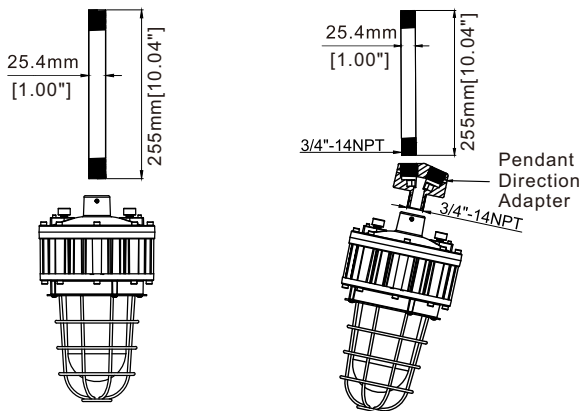


**Stanchion Arm**  
EX-HD51-KYD 90



**Stanchion Arm**  
EX-HD51-KYD 25

### • Option 3: Pendant Mounting (Vertical)



### • Accessories



**Pole**  
Ex-Straight Pipe



**Pendant Direction Adapter**  
Ex-D01



**Fixture Type:**

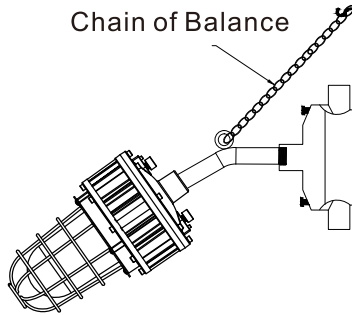
**Project Name:**

**Location:**

**Date:**

## Mounting Methods

- Option 4: Pendant Mounting (Non-vertical)



- Accessories



**Junction Box**  
EX-HD51-KB1



**Pole**  
Ex-Bended Pipe



**Pendant Chain**  
Ex-Straight Chain

- Other Optional Accessories



**Lamp Shade**



**Cut-off Lamp Shade**