

HZG Series Hazardous Location Fixture

Fixture Type:

Project Name:

Location:

Date:

Features

- Copper-free aluminum housing with tempered glass lens
- High quality SMT LED and Meanwell driver
- Heavy duty and high impact resistance
- Gray epoxy powder coat finish
- Rugged housing with superior thermal design translates to long luminaire life
- Integrated junction box for driver
- Standard non dimmable driver, 0-10V dimming driver available
- Marine rating powder coated finish treatment
- Standard ceiling mount
pendent mount/pole mount/arm mount also available
- Choice of glass or polycarbonate lens for different application
- Fixture operates safely in high ambient temperatures 40°F to 149°F (-40°C to 65°C)

Certification

Marking UL844

- Class I, Division 1, Groups C,D
- Class I, Division 2, Groups A,B,C,D
- Class II, Division 1, Groups E,F,G
- Class II, Division 2, Groups F,G
- Class III

Marine Marking

- UL 1598, UL1598A
- ABS
- Other Rating
- IP 66



Ordering Guide

Fixture Type	Wattage	Color Temp.	Voltage	Dimming	Beam Angle	Lens
HZG1	10W	35K = 3500K	Blank = 100-277V HV = 200-480V	Blank = Non Dimmable DIM = 0-10V	D 120 = 120°	Blank = Glass Lens
	20W	40K = 4000K				
	30W	50K = 5000K				
	40W					
	50W					

Mounting Methods



- CM = Ceiling Mounting
- WM = Wall Mounting
- PM1 = Pendant Mounting (vertical)
- PM2 = Pendant Mounting (non-vertical)

Optional Accessories

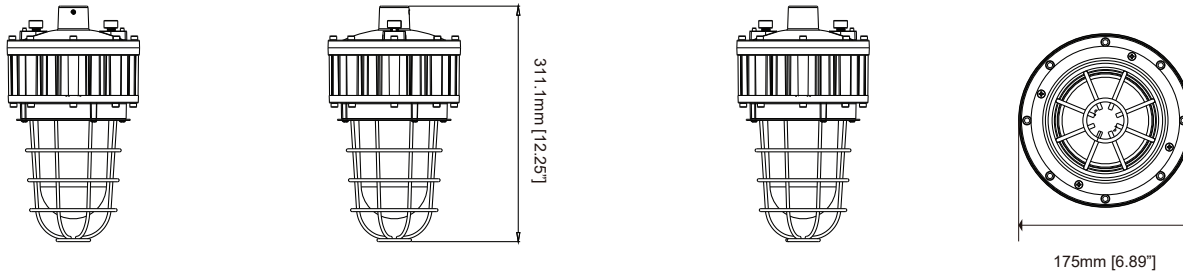


- LS = Lamp Shade
- CLS = Cut-off Lamp Shade



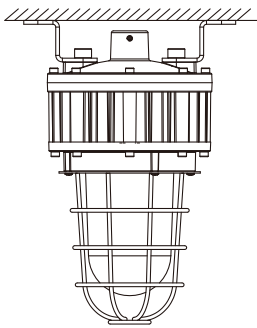
Fixture Type:
Project Name:
Location:
Date:

Dimension

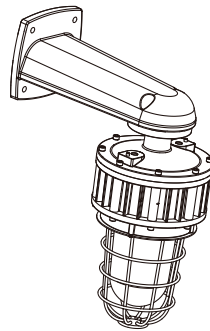


Mounting

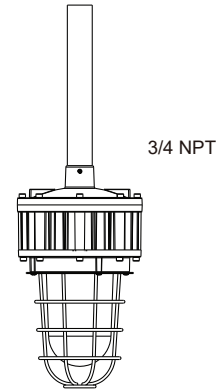
Ceiling Mount



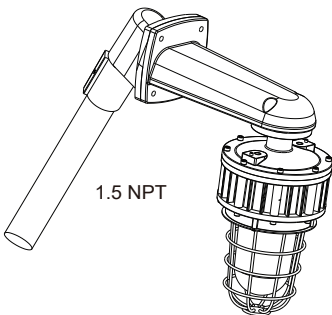
Arm Mount



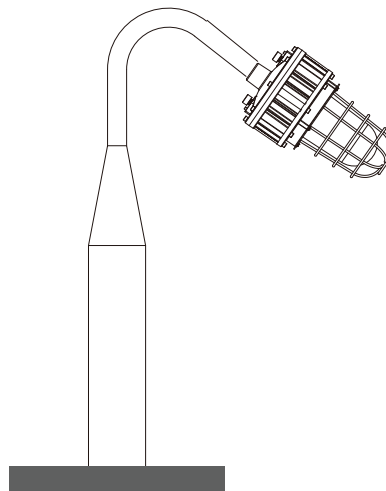
Pendent Mount



Arm Mount to pole



Pole Mount





Fixture Type:

Project Name:

Location:

Date:

HZG Series Hazardous Location Fixture

Performance Data

5000K				
SERIES	WATTAGE	VOLTAGE	LUMEN	EFFICACY
HZG1	10W	100-277V	1140 lm	114 lm/W
	20W	100-277V	2280 lm	114 lm/W
	30W	100-277V	3300 lm	110 lm/W
	40W	100-277V	4400 lm	110 lm/W
	50W	100-277V	5450 lm	109 lm/W



Fixture Type:

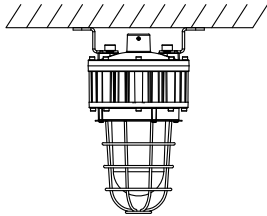
Project Name:

Location:

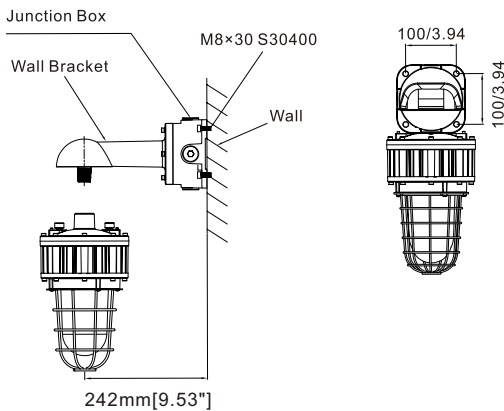
Date:

Mounting Methods

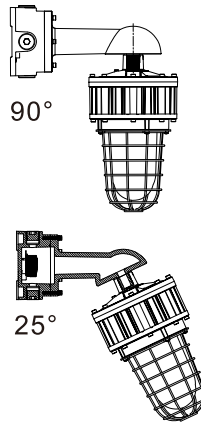
Option 1: Ceiling Mounting



Option 2: Wall Mounting



Accessories

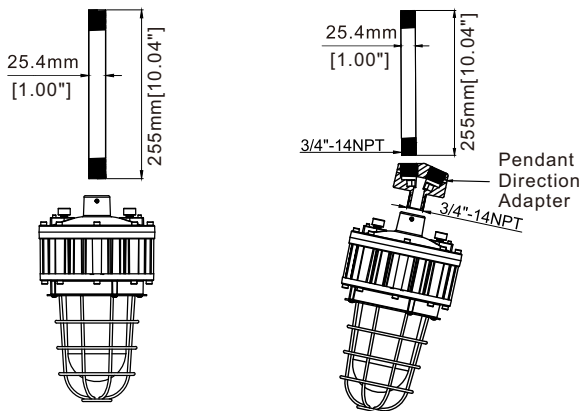


Stanchion Arm
EX-HD51-KYD 90



Stanchion Arm
EX-HD51-KYD 25

Option 3: Pendant Mounting (Vertical)



Accessories



Pole
Ex-Straight Pipe



Pendant Direction Adapter
Ex-D01



Fixture Type:

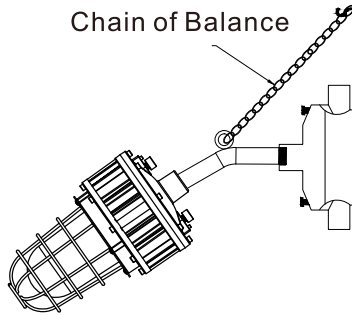
Project Name:

Location:

Date:

Mounting Methods

- Option 4: Pendant Mounting (Non-vertical)



- Accessories



Junction Box
EX-HD51-KB1



Pole
Ex-Bended Pipe



Pendant Chain
Ex-Straight Chain

- Other Optional Accessories



Lamp Shade



Cut-off Lamp Shade