

HZD Series Hazardous Location Fixture

Fixture Type:
Project Name:
Location:
Date:

Features

- Copper-free aluminum housing with tempered glass lens
- High quality SMT LED and Meanwell driver
- Heavy duty and high impact resistance
- Gray epoxy powder coat finish
- Rugged housing with superior thermal design translates to long luminaire life
- Integrated junction box for driver
- 0-10V dimming driver
- Marine rating powder coated finish treatment
- Standard U bracket for Ceiling mount & wall mount
- Fixture operates safely in high ambient temperatures 40°F to 149°F(-40°C to 65°C)

Certification

Marking UL844

Class I, Division 1, Groups C,D
 Class I, Division 2, Groups C,D
 Class II, Division 1, Groups E,F,G
 Class II, Division 2, Groups F,G
 Class III

Marine Marking

UL 1598, UL1598A
 ABS
 Other Rating
 IP 66



Ordering Guide

Fixture Type	Wattage	Color Temp.	Voltage	Dimming	Beam Angle	Lens
HZD1	20W	35K = 3500K	Blank = 100-277V	DIM = 0-10V	D120 = 120°	Blank = Glass Lens
	60W					
HZD2	80W	40K = 4000K	HV = 200-480V			
	100W					
	150W	50K = 5000K				
	200W					

Mounting Methods



Blank = Ceiling mount
 PM1 = Pole Mounting (Vertical) only suitable for HZD1
 PM2 = Pole Mounting (Non-vertical) only suitable for HZD1
 PM3 = Pole Mounting only suitable for HZD1

HZD1 (20W/40W/60W/80W)



HZD2 (100W/150W/200W/220W)



TM = Trunnion Mounting only suitable for HZD1

Fixture Type:

Project Name:

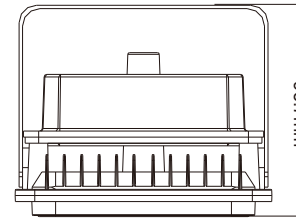
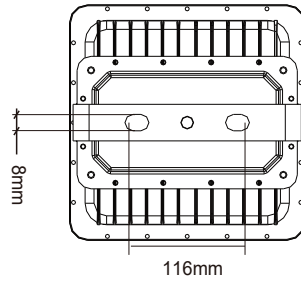
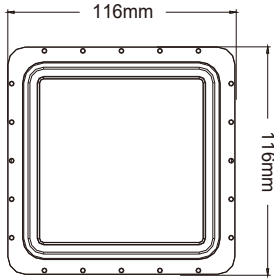
Location:

Date:

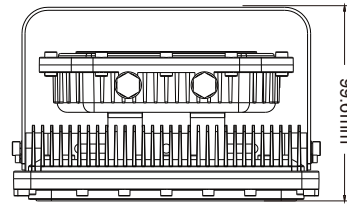
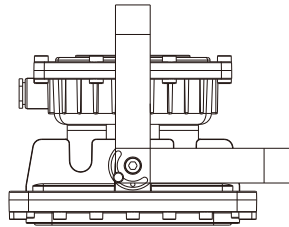
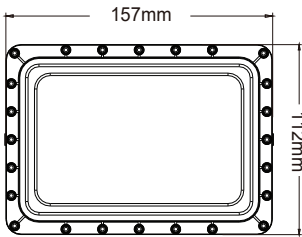
HZD Series Hazardous Location Fixture

Dimension

HZD1 (20W/40W/60W/80W)

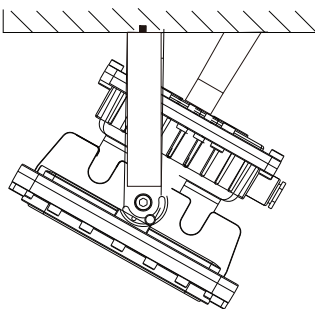


HZD2 (100W/150W/200W/220W)

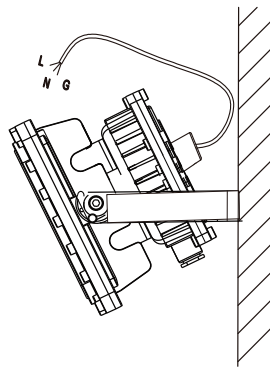


Mounting NOTE: Wall mount, Pole Mounting (vertical & non-vertical), Trunnion Mounting only suitable for HZD1.

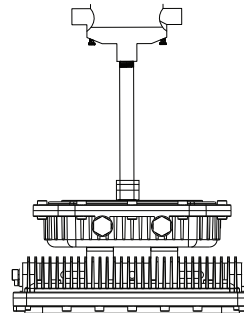
Ceiling Mount



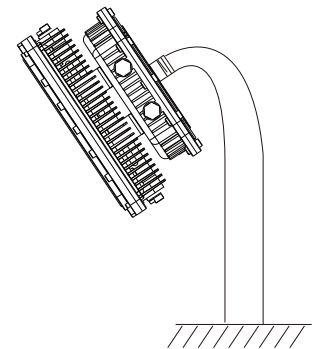
Wall Mount



Pendent Mount



Pole Mount



HZD Series Hazardous Location Fixture

Fixture Type:
Project Name:
Location:
Date:

Performance Data

5000K				
SERIES	WATTAGE	VOLTAGE	LUMEN	EFFICACY
HZD1	20W	100-277V	2800 lm	140 lm/W
	40W	100-277V	5600 lm	140 lm/W
	60W	100-277V	8400 lm	140 lm/W
	80W	100-277V	11200 lm	140 lm/W
HZD2	100W	100-277V	14000 lm	140 lm/W
	150W	100-277V	21000 lm	140 lm/W
	200W	100-277V	28000 lm	140 lm/W
	220W	100-277V	30800 lm	140 lm/W

Fixture Type:
Project Name:
Location:
Date:

Mounting Methods

- Option 1: Ceiling Mounting (ONLY FOR D1)



- Accessory



Bracket

- Option 2: Wall Mounting (ONLY FOR D1)



- Accessory



Bracket

- Option 3: Pole Mounting (Vertical)(ONLY FOR D1)



- Accessories



Junction Box
EX-HD51-KB1



Pole
Ex-Straight Pipe

- Option 4: Pole Mounting (Non-vertical) (ONLY FOR D1)



- Accessories



Junction Box
EX-HD51-KB1



Pole
Ex-Bended Pipe

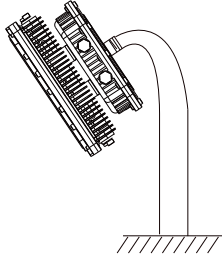


Pendant Chain
Ex-Straight Chain

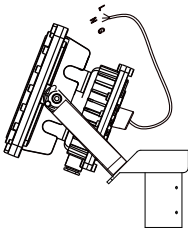
Fixture Type:
Project Name:
Location:
Date:

Mounting Methods

- Option 5: Pole Mounting (ONLY FOR D1)



- Option 6: Trunnion Mounting (ONLY FOR D1)

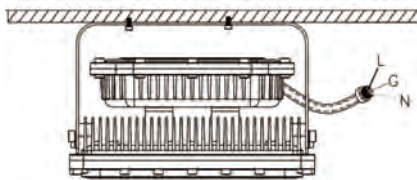


- Accessory



EX-Slip Fitter Mounting Kit

- Ceiling Mounting



- Accessory



Bracket