

HZC Series Hazardous Location Fixture

Fixture Type:
Project Name:
Location:
Date:

Features

- Copper-free aluminum housing with tempered glass lens
- High quality SMT LED and Meanwell driver
- Heavy duty and high impact resistance
- Gray epoxy powder coat finish
- Rugged housing with superior thermal design translates to long luminaire life
- Integrated junction box for driver
- Standard 0-10V dimming driver available
- Marine rating powder coated finish treatment
- Standard U bracket for Ceiling mount & wall mount
hook mount/pole mount/arm mount also available
- Fixture operates safely in high ambient temperatures 40°F to 149°F(-40°C to 65°C)

Certification

Marking UL844

- Class I, Division 1, Groups C,D
- Class I, Division 2, Groups C,D
- Class II, Division 1, Groups E,F,G
- Class II, Division 2, Groups F,G
- Class III

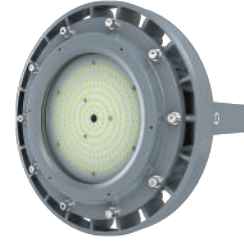
Marine Marking

- UL 1598, UL1598A
- ABS
- Other Rating
- IP 66

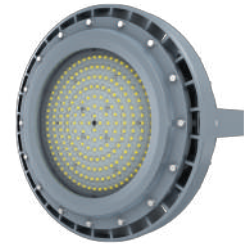


Ordering Guide

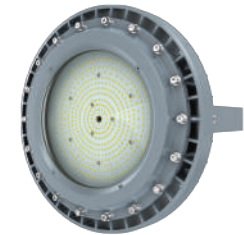
HZC1 (20W/60W/80W)



HZC2 (100W/150W)



HZC3 (200W/250W/280W)

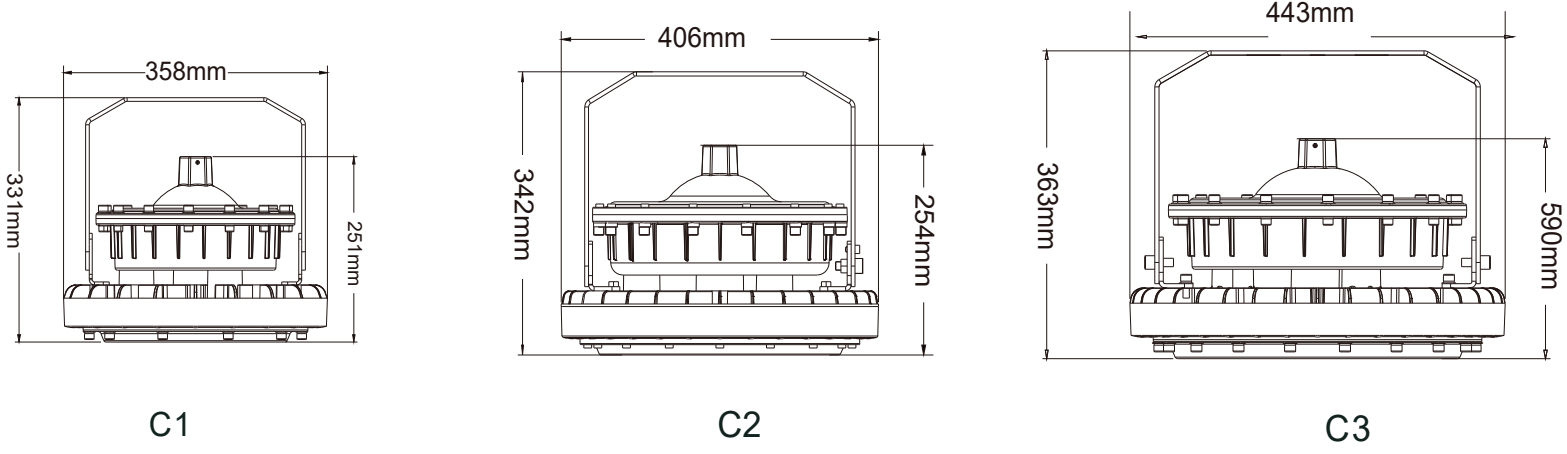


Fixture Type	Wattage	Color Temp.	Voltage	Dimming	Beam Angle	Lens
HZC1	20W	30K= 3000K 35K = 3500K 40K = 4000K 50K = 5000K	Blank = 100-277V	DIM = 0-10V	D120 =120°	Blank = Glass Lens
	40W					
	60W					
	80W					
HZC2	100W	Mounting Methods				
	150W					
HZC3	200W	Blank= Ceiling/Wall Mounting HPM = Hook Pendant Mounting WMJB = Wall Mounting to Junction Box PM1 = Pole Mounting (Vertical)				
	250W					
	280W					

PM2 = Pole Mounting (Non-vertical)
TM = Trunnion Mounting only for HZC1

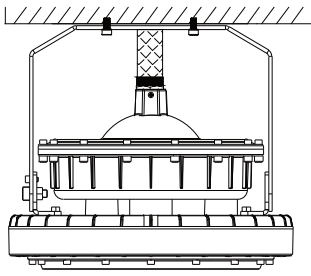
Fixture Type:
Project Name:
Location:
Date:

Dimension

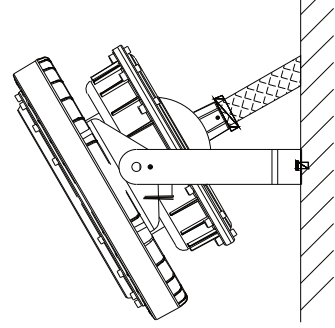


Mounting NOTE: Trunion Mounting (Only for C1)

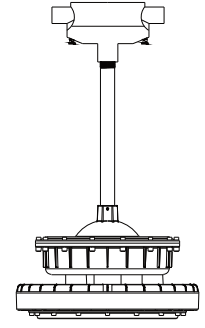
Ceiling Mount



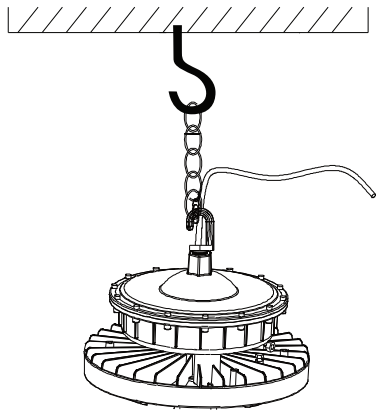
Wall Mount



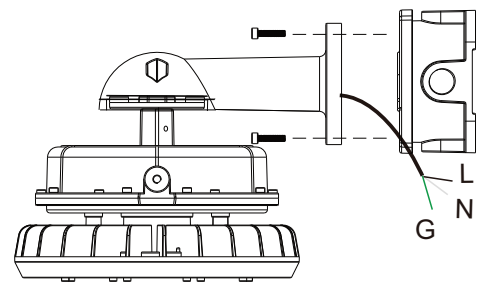
Pendent Mount



Hook Mount



Wall Mount with Jbox



HZC Series Hazardous Location Fixture

Fixture Type:
Project Name:
Location:
Date:

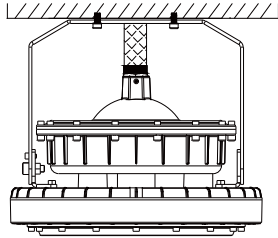
Performance Data

5000K				
SERIES	WATTAGE	VOLTAGE	LUMEN	EFFICACY
HZC1	20W	100-277V	2800 lm	140 lm/W
	60W	100-277V	8400 lm	140 lm/W
	80W	100-277V	11200 lm	140 lm/W
HZC2	100W	100-277V	14000 lm	140 lm/W
	150W	100-277V	21000 lm	140 lm/W
HZC3	200W	100-277V	28000 lm	140 lm/W
	250W	100-277V	35000 lm	140 lm/W
	280W	100-277V	39200 lm	140 lm/W

Fixture Type:
Project Name:
Location:
Date:

Mounting Methods

• Option 1: Ceiling Mounting



• Accessories

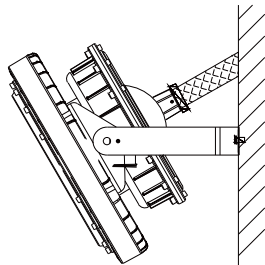


Bracket



Metal Conduit
EX-NG

• Option 2: Wall Mounting



• Accessories

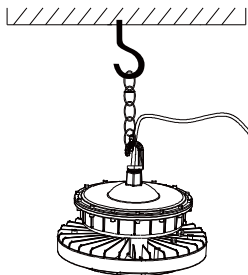


Bracket



Metal Conduit
EX-NG

• Option 3: Hook Pendant Mounting



• Accessories

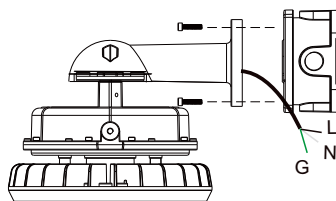


Hook
Ex-Hook



Pendant Chain
Ex-Straight Chain

• Option 4: Wall Mounting with Junction Box



• Accessory



Stanchion Arm
EX-HD51-KYD 90



Stanchion Arm
EX-HD51-KYD 25

Fixture Type:

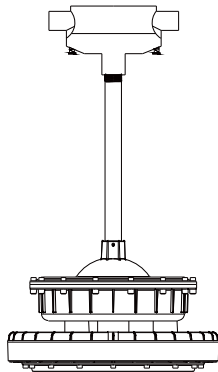
Project Name:

Location:

Date:

Mounting Methods

• Option 5: Pole Mounting (Vertical)



• Accessories

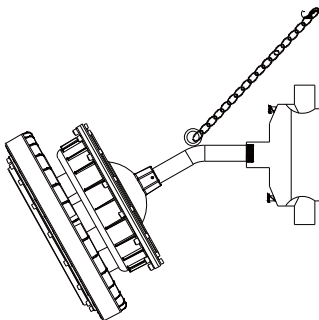


Junction Box
EX-HD51-KB1



Pole
Ex-Straight Pipe

• Option 6: Pole Mounting (Non-vertical)



• Accessories



Junction Box
EX-HD51-KB1

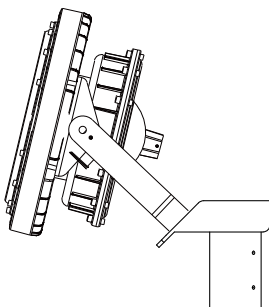


Pole
Ex-Bended Pipe



Pendant Chain
Ex-Straight Chain

• Option 7: Trunnion Mounting (Only for C1)



• Accessory



EX-Slip
Fitter Mounting Kit