

HZC Series Hazardous Location Fixture

Fixture Type:

Project Name:

Location:

Date:

Features

- Copper-free aluminum housing with tempered glass lens
- High quality SMT LED and Meanwell driver
- Heavy duty and high impact resistance
- Gray epoxy powder coat finish
- Rugged housing with superior thermal design translates to long luminaire life
- Integrated junction box for driver
- 0-10V dimming driver
- Marine rating powder coated finish treatment
- Standard U bracket for Ceiling mount & wall mount
hook mount/pole mount/arm mount also available
- Fixture operates safely in high ambient temperatures 40°F to 149°F(-40°C to 65°C)

Certification

Marking UL844

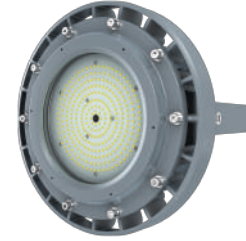
Class I, Division 1, Groups C,D
 Class I, Division 2, Groups C,D
 Class II, Division 1, Groups E,F,G
 Class II, Division 2, Groups F,G
 Class III

Marine Marking

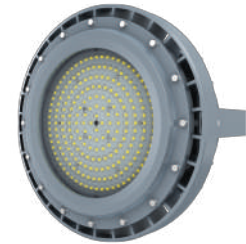
UL 1598, UL1598A
 ABS
 Other Rating
 IP 66



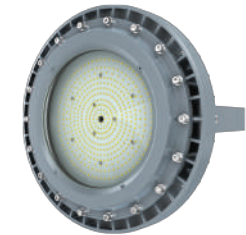
HZC1 (20W/60W/80W)



HZC2 (100W/150W)



HZC3 (200W/250W/280W)



Ordering Guide

Fixture Type	Wattage	Color Temp.	Voltage	Dimming	Beam Angle	Lens
HZC1	20W	35K = 3500K	Blank = 100-277V	DIM = 0-10V	D120 = 120°	Blank = Glass Lens
	40W					
	60W	40K = 4000K				
	80W					
HZC2	100W	50K = 5000K				
	150W					
HZC3	200W	Mounting Methods				
	250W					
	280W					

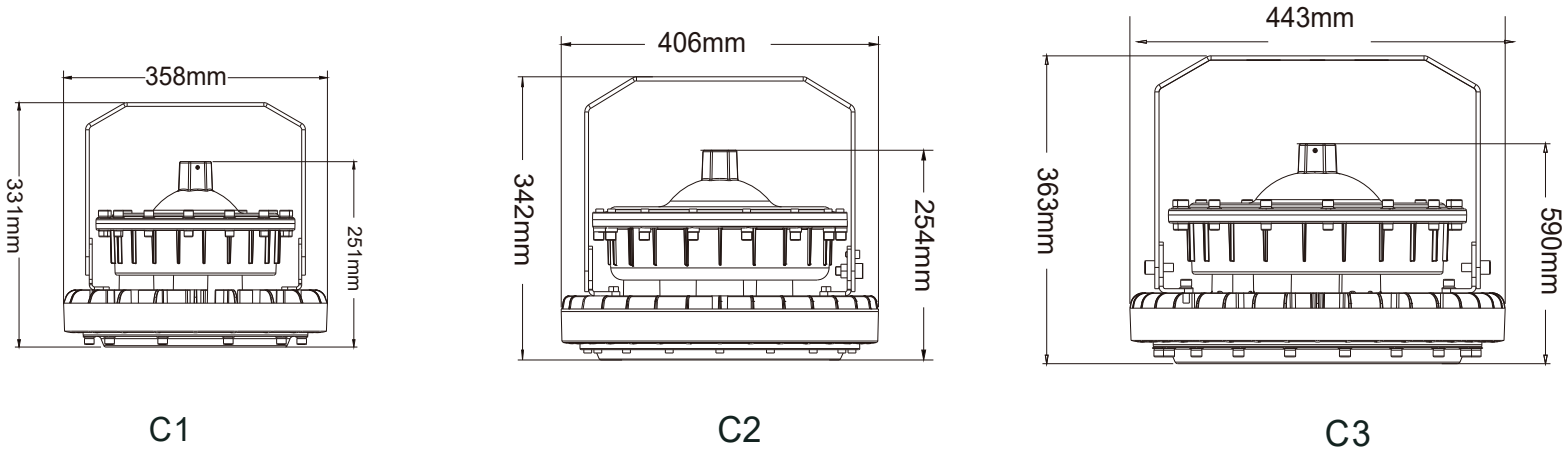
Blank= Ceiling/Wall Mounting
 HPM = Hook Pendant Mounting
 WMJB = Wall Mounting to Junction Box
 PM1 = Pole Mounting (Vertical)

PM2 = Pole Mounting (Non-vertical)
 TM = Trunnion Mounting only for HZC1



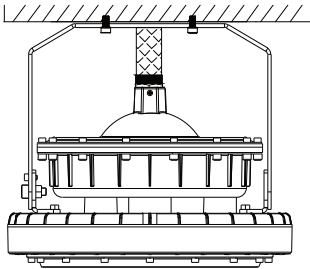
Fixture Type:
Project Name:
Location:
Date:

Dimension

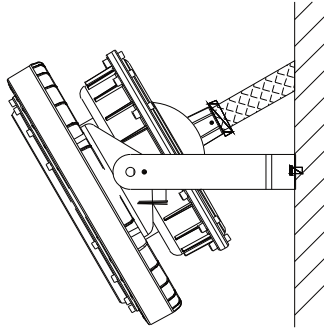


Mounting NOTE: Trunion Mounting (Only for C1)

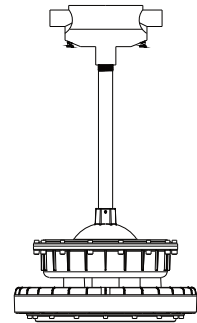
Ceiling Mount



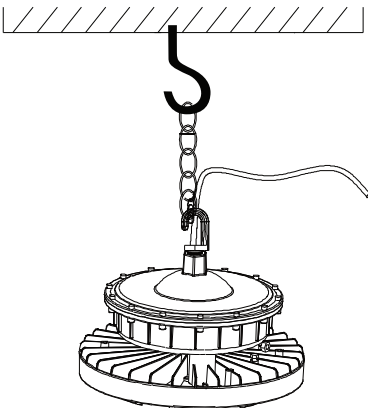
Wall Mount



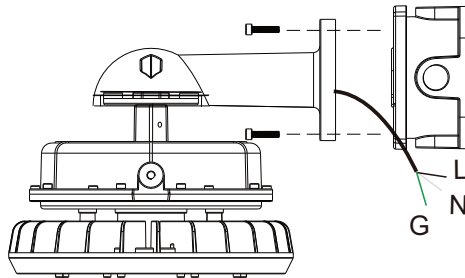
Pendent Mount



Hook Mount



Wall Mount with Jbox





HZC Series Hazardous Location Fixture

Fixture Type:

Project Name:

Location:

Date:

Performance Data

5000K

SERIES	WATTAGE	VOLTAGE	LUMEN	EFFICACY
HZC1	20W	100-277V	2800 lm	140 lm/W
	60W	100-277V	8400 lm	140 lm/W
	80W	100-277V	11200 lm	140 lm/W
HZC2	100W	100-277V	14000 lm	140 lm/W
	150W	100-277V	21000 lm	140 lm/W
HZC3	200W	100-277V	28000 lm	140 lm/W
	250W	100-277V	35000 lm	140 lm/W
	280W	100-277V	39200 lm	140 lm/W



Fixture Type:

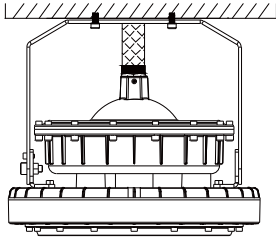
Project Name:

Location:

Date:

Mounting Methods

• Option 1: Ceiling Mounting



• Accessories

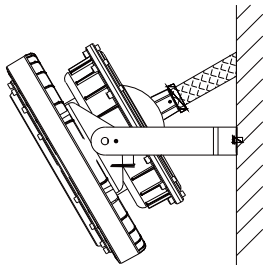


Bracket



**Metal Conduit
EX-NG**

• Option 2: Wall Mounting



• Accessories

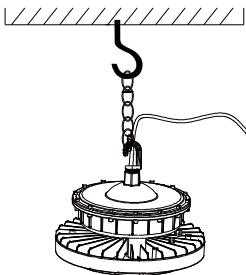


Bracket



**Metal Conduit
EX-NG**

• Option 3: Hook Pendant Mounting



• Accessories

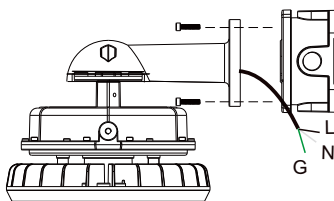


**Hook
Ex-Hook**



**Pendant Chain
Ex-Straight Chain**

• Option 4: Wall Mounting with Junction Box



• Accessory



**Stanchion Arm
EX-HD51-KYD 90**



**Stanchion Arm
EX-HD51-KYD 25**



Fixture Type:

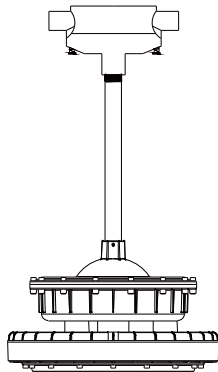
Project Name:

Location:

Date:

Mounting Methods

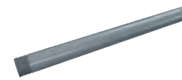
• Option 5: Pole Mounting (Vertical)



• Accessories

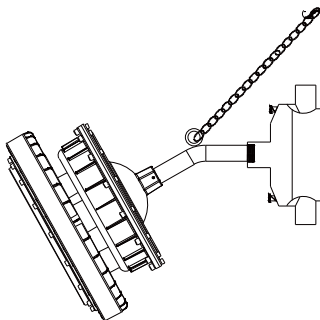


Junction Box
EX-HD51-KB1



Pole
Ex-Straight Pipe

• Option 6: Pole Mounting (Non-vertical)



• Accessories



Junction Box
EX-HD51-KB1

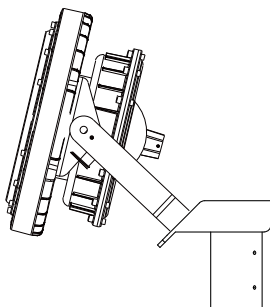


Pole
Ex-Bended Pipe



Pendant Chain
Ex-Straight Chain

• Option 7: Trunnion Mounting (Only for C1)



• Accessory



EX-Slip
Fitter Mounting Kit