

# HZB Series Hazardous Location Fixture

<b>Fixture Type:</b>
<b>Project Name:</b>
<b>Location:</b>
<b>Date:</b>

## Features

- Copper-free aluminum housing with tempered glass lens
- High quality SMT LED and Meanwell driver
- Heavy duty and high impact resistance
- Gray epoxy powder coat finish
- Rugged housing with superior thermal design translates to long luminaire life
- Integrated junction box for driver
- 0-10V dimming driver
- Marine rating powder coated finish treatment
- Standard U bracket for Ceiling mount & wall mount hook mount/pole mount/arm mount also available
- Fixture operates safely in high ambient temperatures 40°F to 149°F(-40°C to 65°C)

## Certification

### Marking UL844

Class I, Division 2, Groups A, B, C, D  
 Class II, Division 1, Groups E, F, G,  
 Class II, Division 2, Groups F, G  
 Class III

### Marine Marking

UL 1598, UL1598A  
 ABS  
 Other Rating  
 IP 66



## Ordering Guide

Fixture Type	Wattage	Color Temp.	Voltage	Dimming	Beam Angle	Lens
HZB1	20W 40W	35K = 3500K	Blank = 100-277V	DIM = 0-10V	D120 = 120°	Blank = Glass Lens
		40K = 4000K	HV = 200-480V			
HZB2	60W 80W	50K = 5000K				
HZB3	100W	Mounting Methods	Blank=Ceiling/ Wall mount (Default) PM1 = Pole Mounting (vertical) PM2 = Pole Mounting (non-vertical) PM3 = Pole Mounting (adjustable)	HPM = Hook Pendant Mounting STM = Stanchion Mounting WMJB = Wall Mounting to Junction Box TM = Trunnion Mounting		
	120W					
	150W					
	200W					
HZB4	250W					
	300W					
	350W					
	400W					

## HZB Series

B1 (20W/40W)



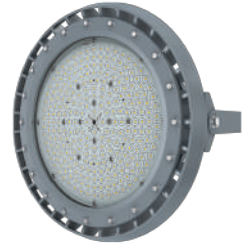
B2 (60W/80W)



B3 (100W/120W/150W/200W)



B4 (250W/300W/350W/400W)

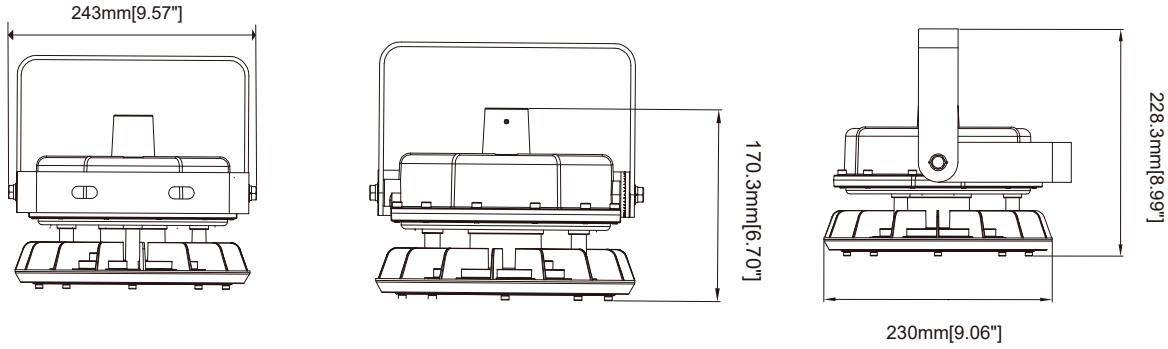


# HZB Series Hazardous Location Fixture

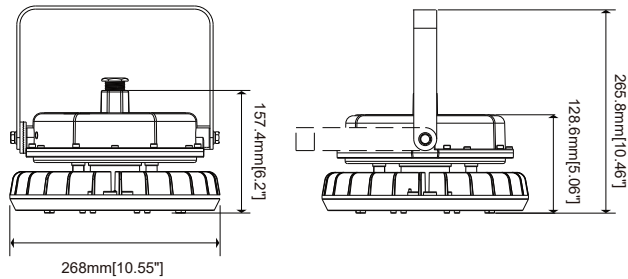
<b>Fixture Type:</b>
<b>Project Name:</b>
<b>Location:</b>
<b>Date:</b>

## Dimension

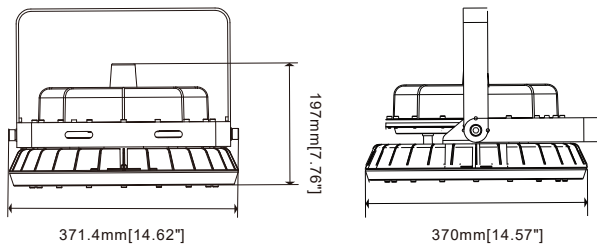
### HZB1



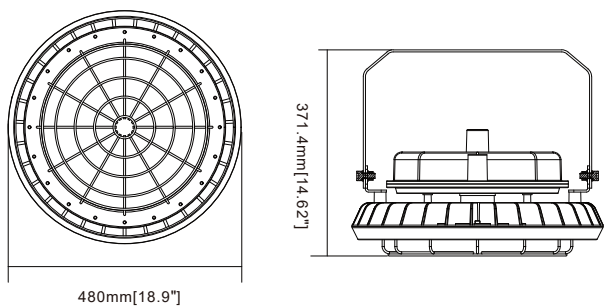
### HZB2



### HZB3



### HZB4



Fixture Type:

Project Name:

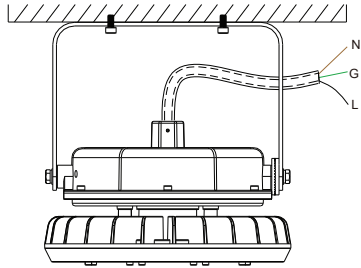
Location:

Date:

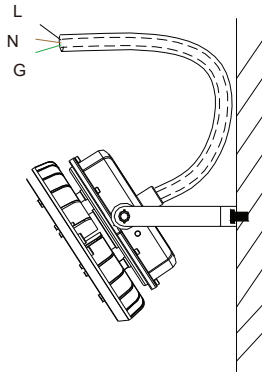
# HZB Series Hazardous Location Fixture

**Mounting** NOTE: Trunnion Mounting (Only for B1 and B2)

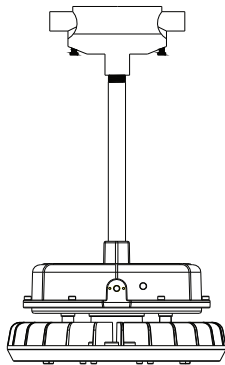
Ceiling Mount (Default)



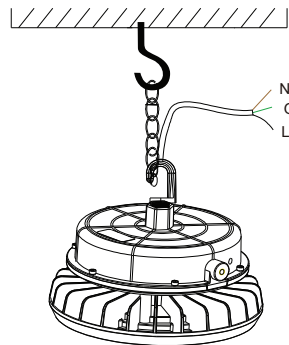
Wall Mount (Default)



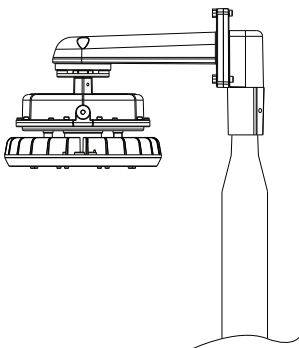
Pendent Mount



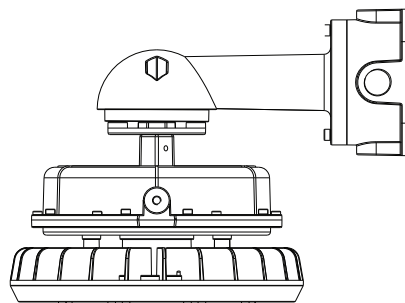
Hook Mount



Stanchion Mount



Wall Mount



# HZB Series Hazardous Location Fixture

<b>Fixture Type:</b>
<b>Project Name:</b>
<b>Location:</b>
<b>Date:</b>

## Performance Data

5000K				
SERIES	WATTAGE	VOLTAGE	LUMEN	EFFICACY
HZB1	20W	100-277V	2800 lm	140 lm/W
	40W	100-277V	5600 lm	140 lm/W
HZB2	60W	100-277V	8400 lm	140 lm/W
	80W	100-277V	11200 lm	140 lm/W
HZB3	100W	100-277V	14000 lm	140 lm/W
	120W	100-277V	16800 lm	140 lm/W
	150W	100-277V	21000 lm	140 lm/W
	200W	100-277V	28000 lm	140 lm/W
HZB4	250W	100-277V	35000 lm	140 lm/W
	300W	100-277V	42000 lm	140 lm/W
	350W	100-277V	49000 lm	140 lm/W
	400W	100-277V	56000 lm	140 lm/W

<b>Fixture Type:</b>
<b>Project Name:</b>
<b>Location:</b>
<b>Date:</b>

## Mounting Methods

• Option 1: Ceiling Mounting

• Accessory

**Bracket**

• Option 2: Wall Mounting

• Accessory

**Bracket**

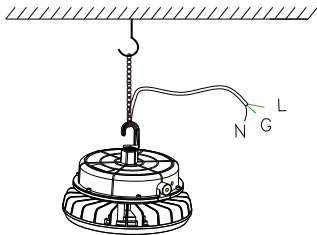
• Option 3: Pole Pendant Mounting

<p><b>Vertical</b></p> <p>Junction box</p>	<p><b>Non-vertical</b></p> <p>Chain of balance</p>	<p><b>Adjustable Pole Installation</b></p> <p>pole length adjustable</p> <p>Make sure the length fit between pole and driver box more than 22mm for safety</p>
<p><b>Junction Box</b> EX-HD51-KB1</p>	<p><b>Junction Box</b> EX-HD51-KB1</p>	<p><b>Junction Box</b> EX-HD51-KB1</p>
<p><b>Pole</b> Ex-Straight Pipe</p>	<p><b>Pole</b> Ex-Bended Pipe</p>	<p><b>Pole</b> Ex-Straight Pipe</p>
	<p><b>Pendant Chain</b> Ex-Straight Chain</p>	<p><b>Pendant Direction Adapter</b> Ex-D01</p>

<b>Fixture Type:</b>
<b>Project Name:</b>
<b>Location:</b>
<b>Date:</b>

## Mounting Methods

### Option 4: Hook Pendant Mounting



#### Accessories

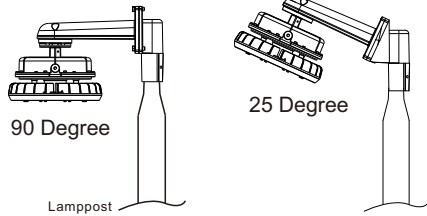


**Hook**  
Ex-Hook



**Pendant Chain**  
Ex-Straight Chain

### Option 5: Stanchion Mounting



#### Accessories

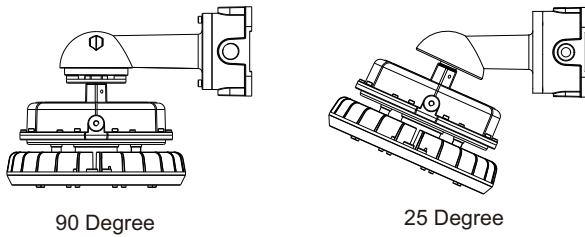


**EX-90PSupport**



**EX-25PSupport**

### Option 6: Wall Mounting to Junction Box



#### Accessories

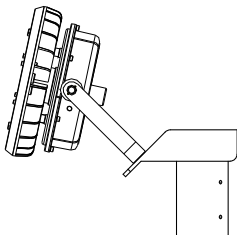


**Stanchion Arm**  
EX-HD51-KYD 90



**Stanchion Arm**  
EX-HD51-KYD 25

### Option 7: Trunnion Mounting (Only for B1 and B2)



**EX-Slip**  
**Fitter Mounting Kit**