

HZB Series Hazardous Location Fixture

Fixture Type:

Project Name:

Location:

Date:

Features

- Copper-free aluminum housing with tempered glass lens
- High quality SMT LED and Meanwell driver
- Heavy duty and high impact resistance
- Gray epoxy powder coat finish
- Rugged housing with superior thermal design translates to long luminaire life
- Integrated junction box for driver
- Standard non dimmable driver, 0-10V dimming driver available
- Marine rating powder coated finish treatment
- Standard U bracket for Ceiling mount & wall mount hook mount/pole mount/arm mount also available
- Fixture operates safely in high ambient temperatures 40°F to 149°F(-40°C to 65°C)

Certification

Marking UL844

Class I, Division 2, Groups A, B, C, D
 Class II, Division 1, Groups E, F, G,
 Class II, Division 2, Groups F, G
 Class III

Marine Marking

UL 1598, UL1598A
 ABS
 Other Rating
 IP 66



HZB Series

B1 (20W/40W)



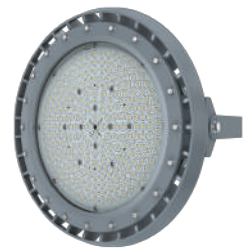
B2 (60W/80W)



B3 (100W/120W/150W/200W)



B4 (250W/300W/350W/400W)



Ordering Guide

Fixture Type	Wattage	Color Temp.	Voltage	Dimming	Beam Angle	Lens
HZB1	20W 40W	35K = 3500K	Blank = 100-277V	Blank = Non Dimmable DIM = 0-10V	D120 = 120°	Blank = Glass Lens
		40K = 4000K	HV = 200-480V			
HZB2	60W 80W	50K = 5000K				
HZB3	100W	Mounting Methods				
	120W					
	150W					
	200W					
HZB4	250W	CM = Ceiling Mounting		HPM = Hook Pendant Mounting		
	300W	WM = Wall Mounting		STM = Stanchion Mounting		
	350W	PM1 = Pole Mounting (vertical)		WMJB = Wall Mounting to Junction Box		
	400W	PM2 = Pole Mounting (non-vertical) PM3 = Pole Mounting (adjustable)		TM = Trunnion Mounting		

Fixture Type:

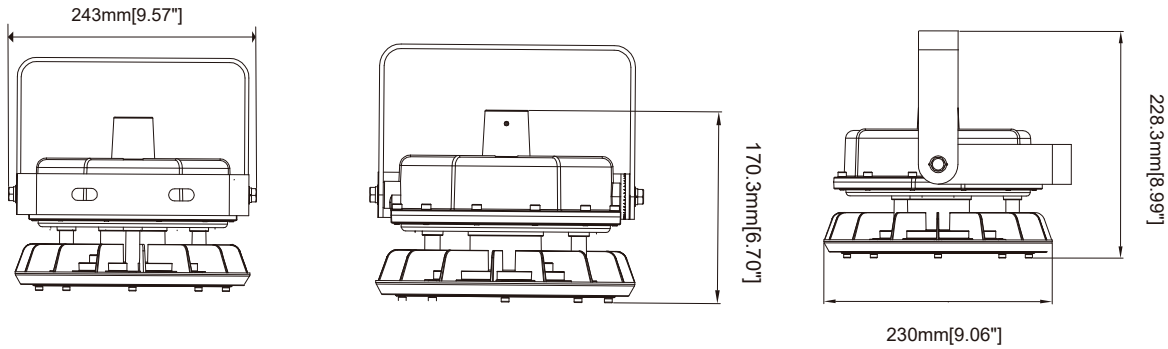
Project Name:

Location:

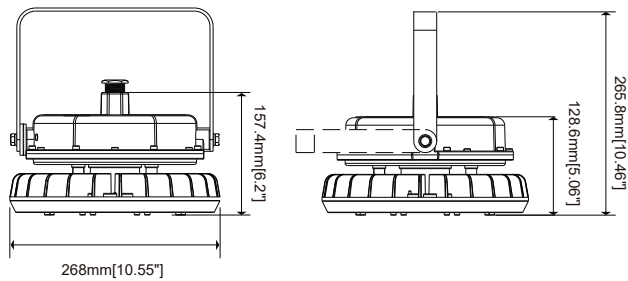
Date:

Dimension

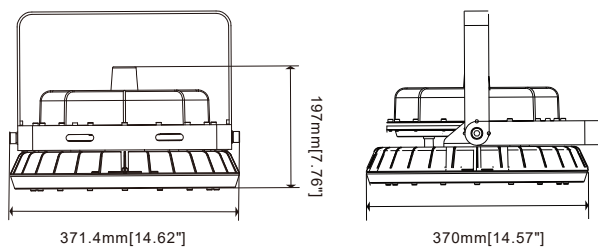
HZB1



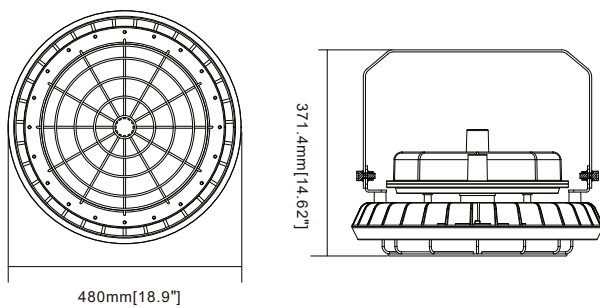
HZB2



HZB3



HZB4



Fixture Type:

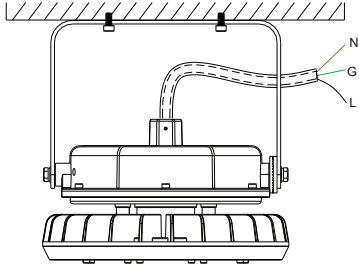
Project Name:

Location:

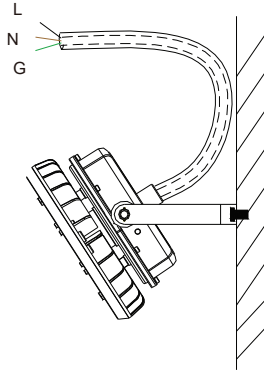
Date:

Mounting

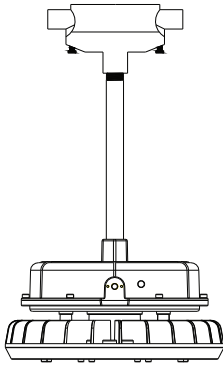
Ceiling Mount (Default)



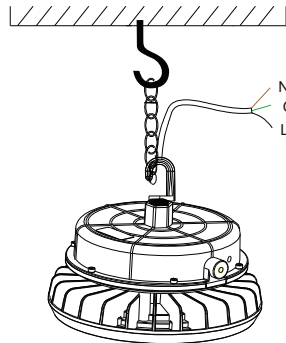
Wall Mount (Default)



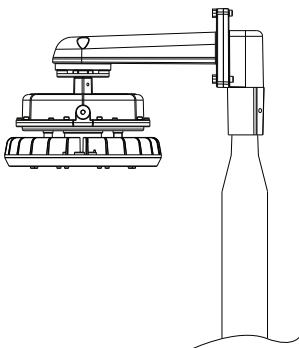
Pendent Mount



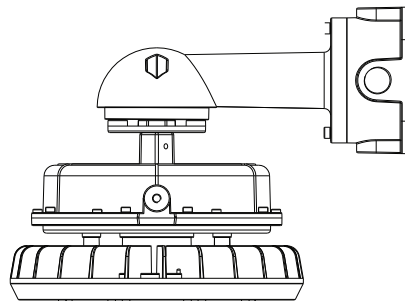
Hook Mount



Stanchion Mount



Wall Mount





HZB Series Hazardous Location Fixture

Fixture Type:

Project Name:

Location:

Date:

Performance Data

5000K				
SERIES	WATTAGE	VOLTAGE	LUMEN	EFFICACY
HZB1	20W	100-277V	2800 lm	140 lm/W
	40W	100-277V	5600 lm	140 lm/W
HZB2	60W	100-277V	8400 lm	140 lm/W
	80W	100-277V	11200 lm	140 lm/W
HZB3	100W	100-277V	14000 lm	140 lm/W
	120W	100-277V	16800 lm	140 lm/W
	150W	100-277V	21000 lm	140 lm/W
	200W	100-277V	28000 lm	140 lm/W
HZB4	250W	100-277V	35000 lm	140 lm/W
	300W	100-277V	42000 lm	140 lm/W
	350W	100-277V	49000 lm	140 lm/W
	400W	100-277V	56000 lm	140 lm/W



Fixture Type:

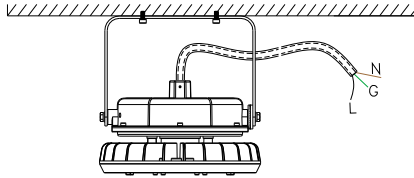
Project Name:

Location:

Date:

Mounting Methods

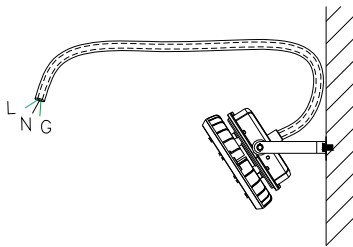
Option 1: Ceiling Mounting



Accessory



Option 2: Wall Mounting

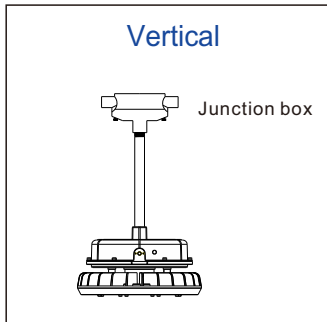


Accessory

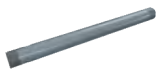


Option 3: Pole Pendant Mounting

Vertical

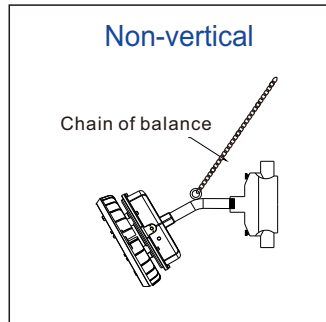


Junction Box
EX-HD51-KB1



Pole
Ex-Straight Pipe

Non-vertical



Junction Box
EX-HD51-KB1

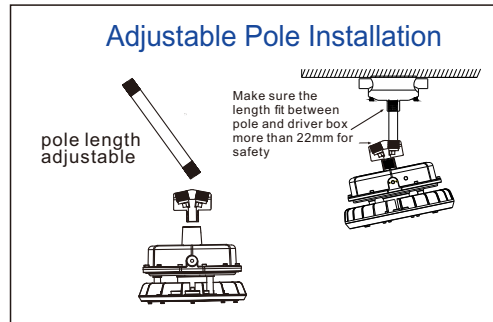


Pole
Ex-Bended Pipe



Pendant Chain
Ex-Straight Chain

Adjustable Pole Installation



Junction Box
EX-HD51-KB1



Pole
Ex-Straight Pipe



Pendant Direction Adapter
Ex-D01

Fixture Type:

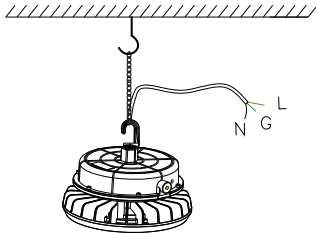
Project Name:

Location:

Date:

Mounting Methods

• Option 4: Hook Pendant Mounting



• Accessories

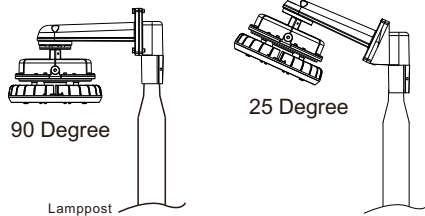


Hook
Ex-Hook



Pendant Chain
Ex-Straight Chain

• Option 5: Stanchion Mounting



• Accessories

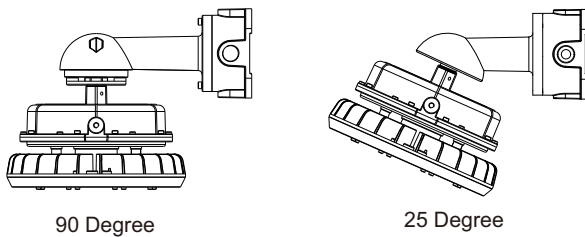


EX-90PSupport



EX-25PSupport

• Option 6: Wall Mounting to Junction Box



• Accessories

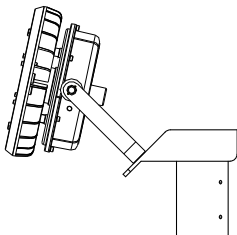


Stanchion Arm
EX-HD51-KYD 90



Stanchion Arm
EX-HD51-KYD 25

• Option 7: Trunnion Mounting (Only for B1 and B2)



EX-Slip
Fitter Mounting Kit

