

# WCS Series LED Wall Cylinder

**Fixture Type:**

**Project Name:**

**Location:**

**Date:**

## Features

- Vertical design integrated LED wall light fixture
- Aluminum housing with black finish
- Glass lens with 120 degree beam angle
- Downlight distribution
- It produces 630 lumens and only consumes only 9 watts of energy
- 4000K color temperature
- 120V input voltage

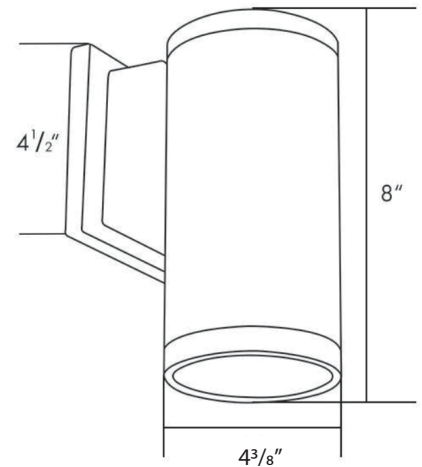


## Product Performance Standard

<b>Size</b>	8" L X 4 <sup>3</sup> / <sub>8</sub> " W	<b>Efficacy</b>	70lm/W
<b>Weight</b>	3LBS	<b>LED Lifespan</b>	50,000 Hrs
<b>CRI</b>	80	<b>Dimmable</b>	Non Dimmable
<b>Color Temp</b>	4000K	<b>Warranty</b>	5 Years
<b>Input Voltage</b>	120V	<b>Ambient Operation Temperature</b>	-20C° (-4°F) ~40C° (104°F)



## Dimension



## Ordering Guide

Example: LEDWCS9W40K

Fixture Type



WCS

Wattage



9W

Color Temp.



40K = 4000K

Finish



Blank = Black

Voltage



Blank = 120V

Last updated: 3-3-2022

