

FIXTURE TYPE: \_\_\_\_\_  
 PROJECT NAME: \_\_\_\_\_  
 LOCATION: \_\_\_\_\_  
 DATE: \_\_\_\_\_

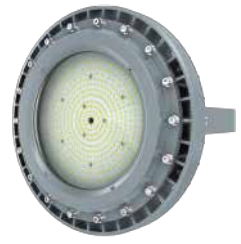
## HAZARDOUS LOCATION FIXTURE



HZC1 (20W/60W/80W)

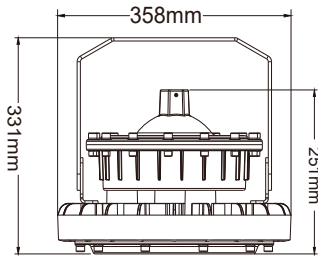


HZC2 (100W/150W)

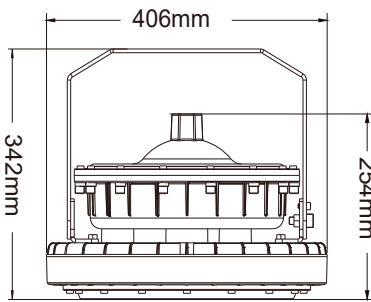


HZC3 (200W/250W/280W)

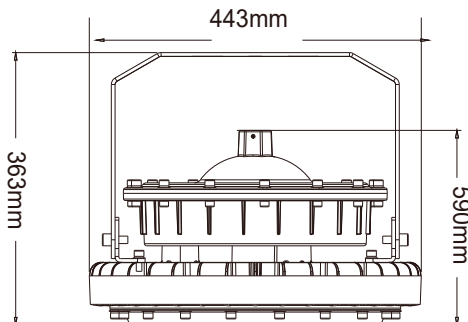
## Dimensions



C1



C2



C3

## Certification

Marking UL844

Class I, Division 1, Groups C,D  
 Class I, Division 2, Groups C,D  
 Class II, Division 1, Groups E,F,G  
 Class II, Division 2, Groups F,G  
 Class III

Marine Marking

UL 1598, UL1598A

ABS

Other Rating

IP 66

## Features

- Copper-free aluminum housing with tempered glass lens
- High quality SMT LED and Meanwell driver
- Heavy duty and high impact resistance
- Gray epoxy powder coat finish
- Rugged housing with superior thermal design translates to long luminaire life
- Integrated junction box for driver
- Standard 0-10V dimming driver available
- Marine rating powder coated finish treatment
- Standard U bracket for Ceiling mount & wall mount hook mount/pole mount/arm mount also available
- Fixture operates safely in high ambient temperatures 40° F to 149°F(-40°C to 65°C)
- Five-year warranty

FIXTURE TYPE:  
PROJECT NAME:  
LOCATION:  
DATE:

## HAZARDOUS LOCATION FIXTURE

### Ordering Guide

Fixture Type	Wattage	Color Temp	Voltage
HZC1	20W 40W 60W 80W	30K= 3000K 35K = 3500K 40K = 4000K 50K = 5000K	Blank = 100-277V
HZC2	100W 150W		
HZC3	200W 250W 280W		
Dimming	Beam Angle	Lens	Mounting Methods
DIM = 0-10V	D120 =120°	Blank = Glass Lens	Blank= Ceiling/Wall Mounting HPM = Hook Pendant Mounting WMJB = Wall Mounting to Junction Box PM1 = Pole Mounting (Vertical) PM2 = Pole Mounting (Non-vertical) TM = Trunion Mounting only for HZC1

### Performance Data

5000K				
SERIES	WATTAGE	VOLTAGE	LUMEN	EFFICACY
HZC1	20W	100-277V	2800lm	140lm/W
	60W	100-277V	8400lm	140lm/W
	80W	100-277V	11200lm	140lm/W
HZC2	100W	100-277V	14000lm	140lm/W
	150W	100-277V	21000lm	140lm/W
HZC3	200W	100-277V	28000lm	140lm/W
	250W	100-277V	35000lm	140lm/W
	280W	100-277V	39200lm	140lm/W

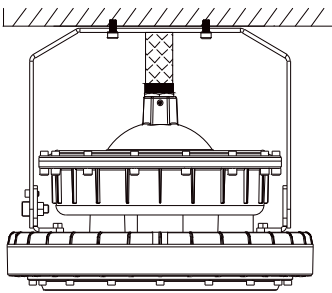
FIXTURE TYPE:  
PROJECT NAME:  
LOCATION:  
DATE:


HAZARDOUS LOCATION FIXTURE

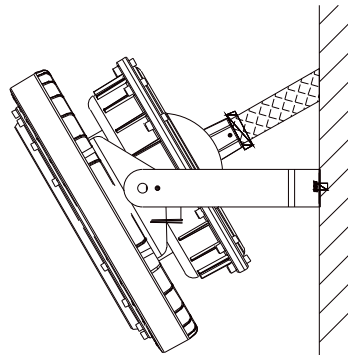
Mounting

NOTE: Trunnion Mounting (Only for C1)

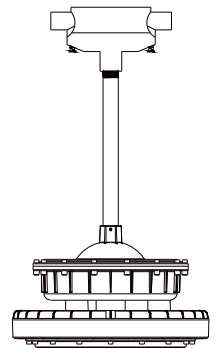
Ceiling Mount



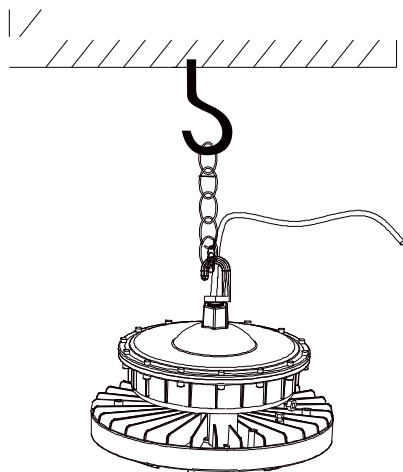
Wall Mount



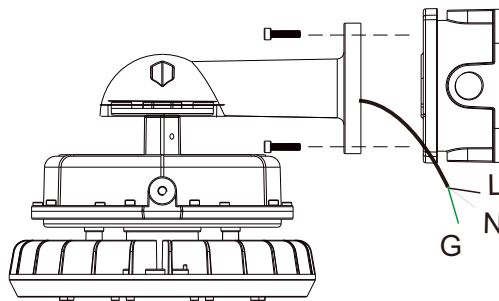
Pendent Mount



Hook Mount



Wall Mount with Jbox

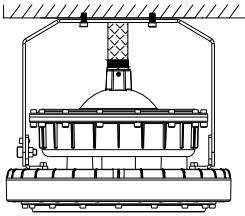


FIXTURE TYPE:  
PROJECT NAME:  
LOCATION:  
DATE:

## HAZARDOUS LOCATION FIXTURE

### Mounting Methods

Option 1: Ceiling Mounting

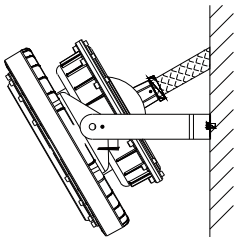


Accessories



**Bracket**

Option 2: Wall Mounting

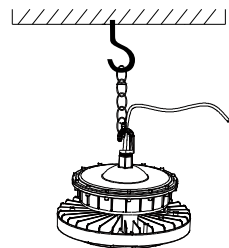


Accessories



**Bracket**

Option 3: Hook Pendant Mounting



Accessories

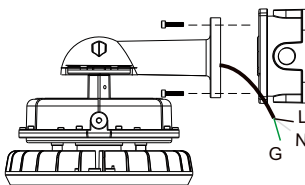


**Hook**  
Ex-Hook



**Pendant Chain**  
Ex-Straight Chain

Option 4: Wall Mounting with Junction Box



Accessory



**Stanchion Arm**  
EX-HD51-KYD 90



**Stanchion Arm**  
EX-HD51-KYD 25

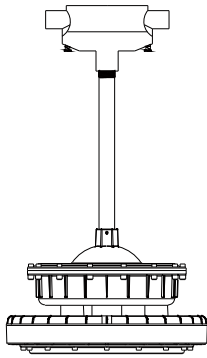
FIXTURE TYPE:  
PROJECT NAME:  
LOCATION:  
DATE:

## HAZARDOUS LOCATION FIXTURE

### Mounting Methods

---

Option 5: Pole Mounting (Vertical)



Accessories

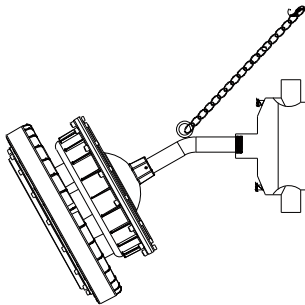


Junction Box  
EX-HD51-KB1



Pole  
Ex-Straight Pipe

Option 6: Pole Mounting (Non-vertical)



Accessories



Junction Box  
EX-HD51-KB1

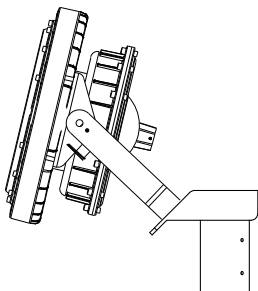


Pole  
Ex-Bended Pipe



Pendant Chain  
Ex-Straight Chain

Option 7: Trunnion Mounting (Only for C1)



Accessories



EX-Slip  
Fitter Mounting Kit