

HZB Series

FIXTURE TYPE:
 PROJECT NAME:
 LOCATION:
 DATE:



B1(20W/40W)



B2(60W/80W)



B3(100W/120W/150W
200W)



B4(250W/300W/350W/
400W)

Features

- Copper-free aluminum housing with tempered glass lens
- High quality SMT LED and Meanwell driver
- Heavy duty and high impact resistance
- Gray epoxy powder coat finish
- Rugged housing with superior thermal design translates to long luminaire life
- Integrated junction box for driver
- Standard 0-10V dimming driver available
- Marine rating powder coated finish treatment
- Standard U bracket for Ceiling mount & wall mount hook mount/pole mount/arm mount also available
- Fixture operates safely in high ambient temperatures 40°F to 149°F(-40°C to 65°C)
- Five-year warranty

Certification

Marking UL844

- Class I, Division 2, Groups A, B, C, D
- Class II, Division 1, Groups E, F, G
- Class II, Division 2, Groups F, G
- Class III

Marine Marking

- UL 1598, UL1598A
- ABS
- Other Rating
- IP 66

Ordering Guide

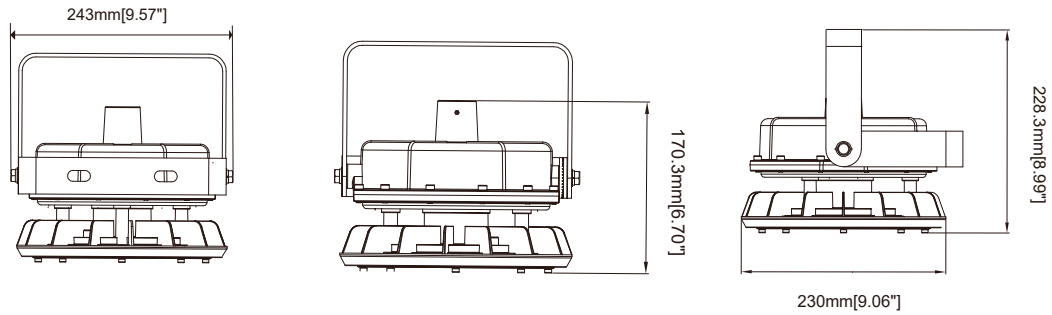
Fixture Type	Wattage	Color Temp	Voltage
HZB1	20W 40W	30K= 3000K 35K = 3500K 40K = 4000K 50K = 5000K	Blank = 100-277V HV = 200-480V
HZB2	60W 80W		
HZB3	100W 150W 180W 200W		
HZB4	250W 300W 350W 400W		
Dimming	Beam Angle	Lens	Mounting Methods
DIM = 0-10V	D120 = 120°	Blank = Glass Lens	Blank=Ceiling/ Wall mount (Default) PM1 = Pole Mounting (vertical) PM2 = Pole Mounting (non-vertical) PM3 = Pole Mounting (adjustable) HPM = Hook Pendant Mounting STM = Stanchion Mounting WMJB = Wall Mounting to Junction Box TM = Trunnion Mounting

FIXTURE TYPE:
PROJECT NAME:
LOCATION:
DATE:

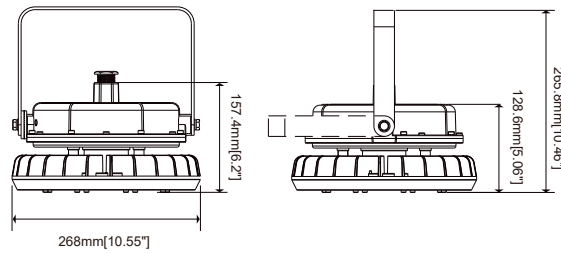
HAZARDOUS LOCATION FIXTURE

Dimensions

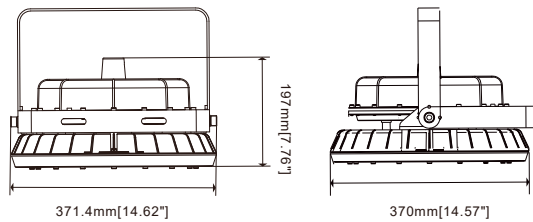
HZB1



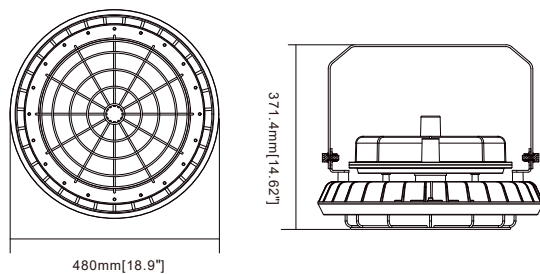
HZB2



HZB3



HZB4



FIXTURE TYPE: _____
 PROJECT NAME: _____
 LOCATION: _____
 DATE: _____

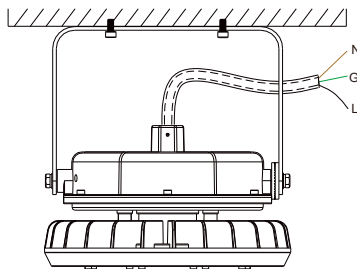
HAZARDOUS LOCATION FIXTURE

Performance Data

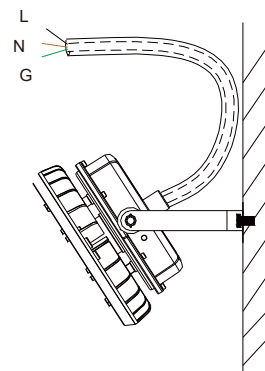
5000K				
SERIES	WATTAGE	VOLTAGE	LUMEN	EFFICACY
HZB1	20W	100-277V	2800lm	140lm/W
	40W	100-277V	5600lm	140lm/W
HZB2	60W	100-277V	8400lm	140lm/W
	80W	100-277V	11200lm	140lm/W
HZB3	100W	100-277V	14000lm	140lm/W
	120W	100-277V	16800lm	140lm/W
	150W	100-277V	21000lm	140lm/W
	200W	100-277V	28000lm	140lm/W
HZB4	250W	100-277V	35000lm	140lm/W
	300W	100-277V	42000lm	140lm/W
	350W	100-277V	49000lm	140lm/W
	400W	100-277V	56000lm	140lm/W

Mounting NOTE: Trunnion Mounting (Only for B1 and B2)

Ceiling Mount (Default)



Wall Mount (Default)

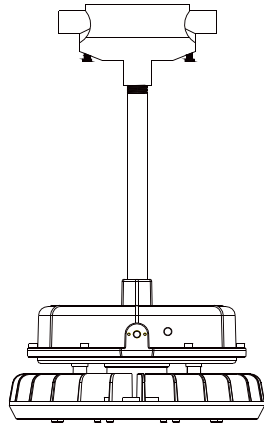


FIXTURE TYPE:
PROJECT NAME:
LOCATION:
DATE:

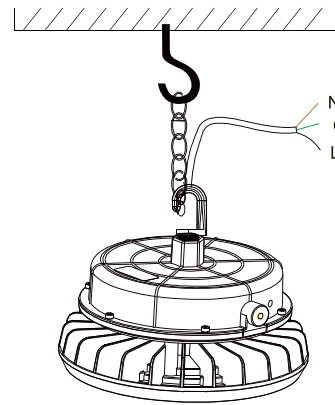
HAZARDOUS LOCATION FIXTURE

Mounting NOTE: Trunnion Mounting (Only for B1 and B2)

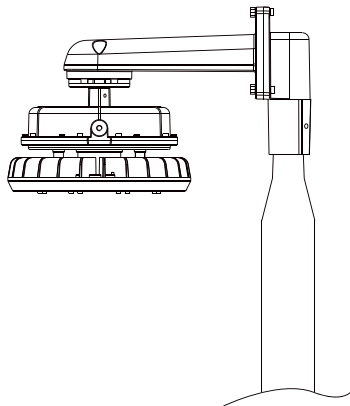
Pendent Mount



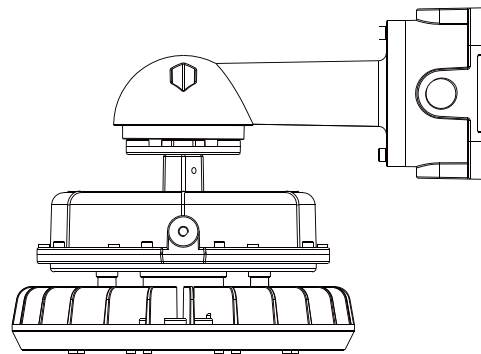
Hook Mount



Stanchion Mount



Wall Mount

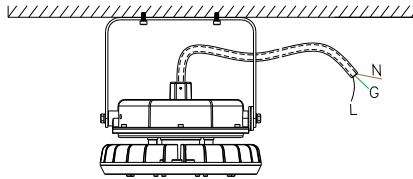


FIXTURE TYPE:
PROJECT NAME:
LOCATION:
DATE:

HAZARDOUS LOCATION FIXTURE

Mounting Methods

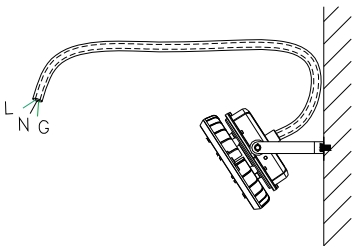
- Option 1: Ceiling Mounting



- Accessory



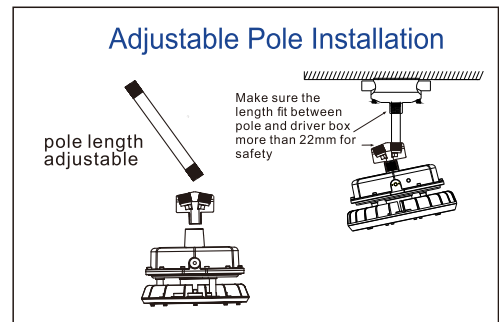
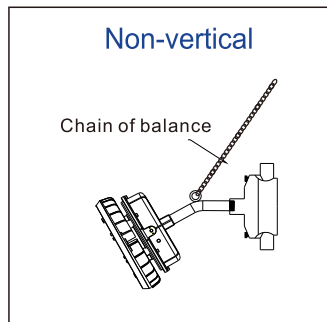
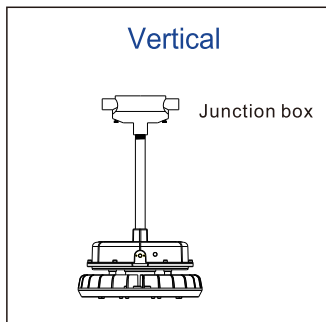
- Option 2: Wall Mounting



- Accessory



- Option 3: Pole Pendant Mounting

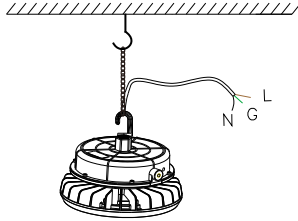


FIXTURE TYPE:
PROJECT NAME:
LOCATION:
DATE:

HAZARDOUS LOCATION FIXTURE

Mounting Methods

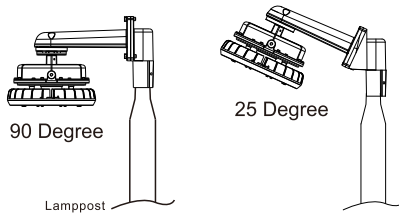
- Option 4: Hook Pendant Mounting



- Accessories



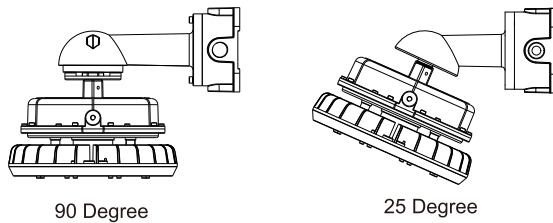
- Option 5: Stanchion Mounting



- Accessories



- Option 6: Wall Mounting to Junction Box



- Accessories



- Option 7: Trunnion Mounting (Only for B1 and B2)

