

FIXTURE TYPE:
PROJECT NAME:
LOCATION:
DATE:

AVI-ON ZOOM CONTROL



Description

The XPP is a highly capable wireless zone controller with loads of additional features. 110-277V, 16A lighting-rated relay, high-capacity 0-10V dimming, and multiple sensor integration options make this a single-component solution for an entire zone-based control solution.

Operation

The XPP is available in Class I or Class II wiring options. The XPP is fully networked and integrated with the Avi-on ecosystem, including local or remote commissioning, and is interoperable with all other Avi-on sensors, wall stations, and fixture controllers.

Sensor Ready

The XPP is a sensor integration powerhouse with 2 different sensor inputs: Plug any Avi-on Direct Connect sensor for easy sensor integration.

Energy Monitoring

The XPP includes true measured energy consumption readings every 15 minutes (>0.5% accuracy). Use the XPP to comply with top-tier utility rebate programs and corporate energy management initiatives.

Ordering Guide

Part Number	Voltage	Channel	Relay
AVI-XXP	100-277V	Class 1	16 Armp

FIXTURE TYPE:
PROJECT NAME:
LOCATION:
DATE:

AVI-ON ZOOM CONTROL

Dimension

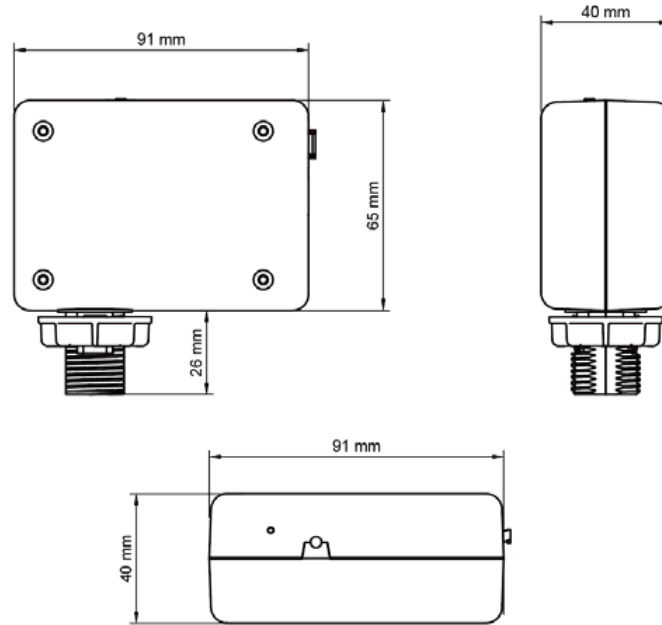


Figure 1. Dimensions

Wiring Diagram

