

# HZA Series Hazardous Location Fixture

## Fixture Type:

Project Name:

Location:

Date:

## Features

- Copper-free aluminum housing with tempered glass lens
- High quality SMT LED and Meanwell driver
- Heavy duty and high impact resistance
- Gray epoxy powder coat finish
- Rugged housing with superior thermal design translates to long luminaire life
- Integrated junction box for driver
- Standard non dimmable driver, 0-10V dimming driver available
- Marine rating powder coated finish treatment
- Standard U bracket for Ceiling mount & wall mount hook mount/pole mount/arm mount also available
- Fixture operates safely in high ambient temperatures 40°F to 149°F(-40°C to 65°C)

## Certification

### Marking UL844

Class I, Division 2, Groups A, B, C, D  
 Class II, Division 1, Groups E, F, G  
 Class II, Division 2, Groups F, G  
 Class III

### Marine Marking

UL 1598, UL1598A  
 ABS  
 Other Rating  
 IP 66



## Ordering Guide

| Fixture Type | Wattage              | Color Temp.  | Voltage                           | Dimming  | Beam Angle  | Lens               |
|--------------|----------------------|--|-----------------------------------|--|-------------|--------------------|
| HZA1         | 20W<br>40W<br>60W    | 35K = 3500K<br>40K = 4000K<br>50K = 5000K  | Blank = 100-277V<br>HV = 200-480V | Blank = Non Dimmable<br>DIM = 0-10V  | D120 = 120° | Blank = Glass Lens |
| HZA2         | 80W<br>100W          | Mounting Option  |                                   |  |             |                    |
| HZA3         | 150W<br>180W<br>200W |  |                                   |  |             |                    |
| HZA4         | 250W<br>300W<br>400W | CM = Ceiling Mounting WM = Wall Mounting<br>HM = Hook Mounting<br>TM = Trunnion Mounting<br>PM1 = Pole Mounting (vertical) |                                   | PM2 = Pole Mounting (non-vertical)<br>STM = Stanchion Mounting on the Wall<br>STMP90 = Stanchion Mounting on the Pole (90°)<br>STMP25 = Stanchion Mounting on the Pole (25°)<br>WMJB90 = Wall Mounting with Junction Box (90°)<br>WMJB25 = Wall Mounting with Junction Box (25°) |             |                    |

## A Series

A1(20W/40W/60W)

A2(80W/100W)



A3(150W/180W/200W) A4(250W/300W/400W)



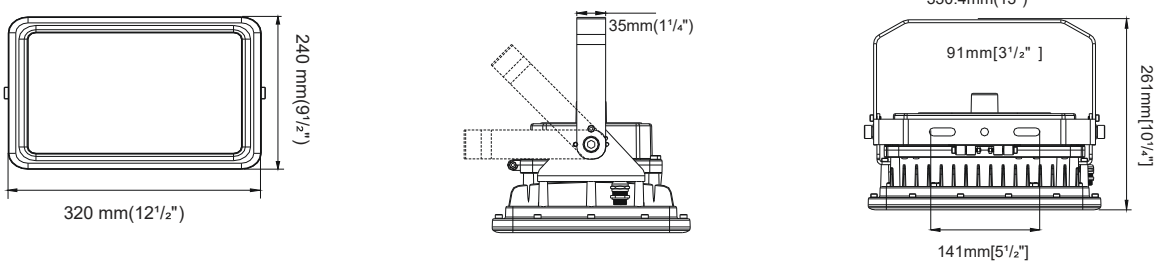
Last Rev 8-25-2021

# HZA Series Hazardous Location Fixture

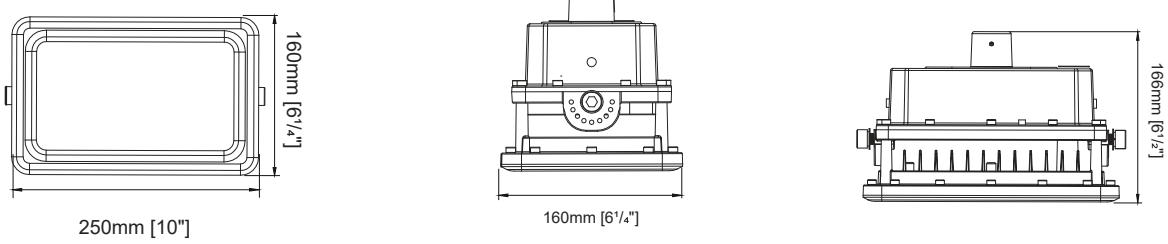
|                      |
|----------------------|
| <b>Fixture Type:</b> |
| <b>Project Name:</b> |
| <b>Location:</b>     |
| <b>Date:</b>         |

## Dimension

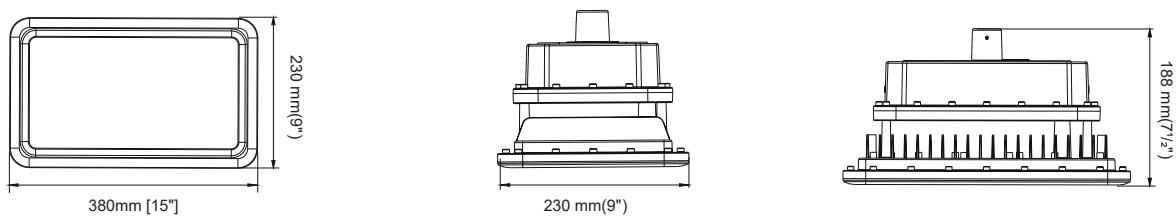
### HZA1



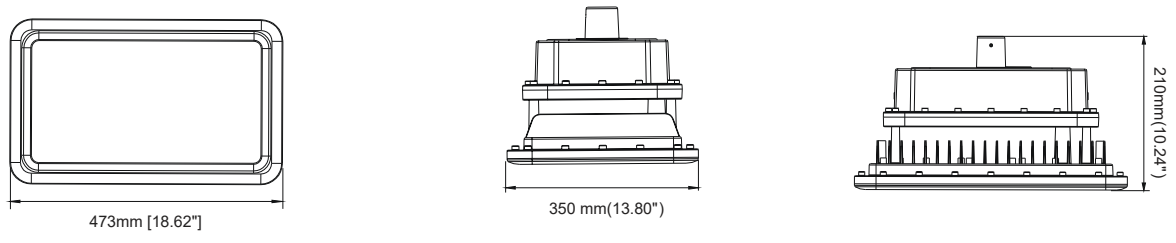
### HZA2



### HZA3



### HZA4

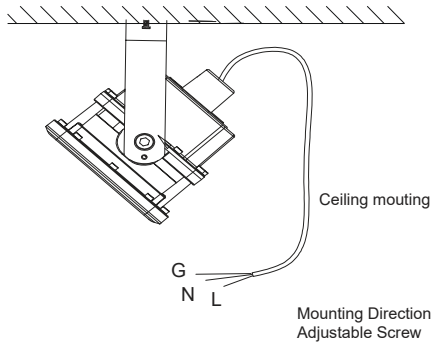


# HZA Series Hazardous Location Fixture

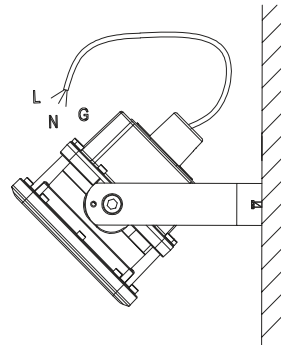
|                      |
|----------------------|
| <b>Fixture Type:</b> |
| Project Name:        |
| Location:            |
| Date:                |

## Mounting

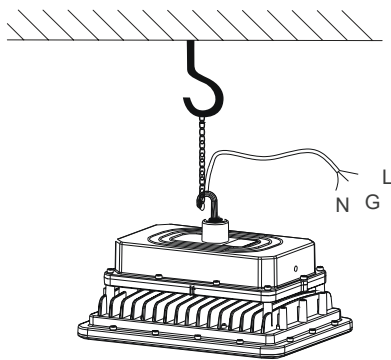
**Ceiling Mount (Default)**



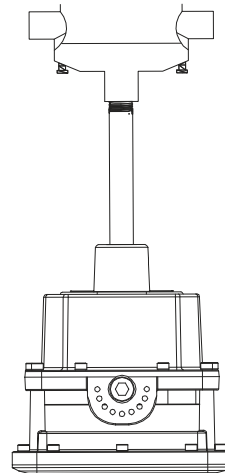
**Wall Mount (Default)**



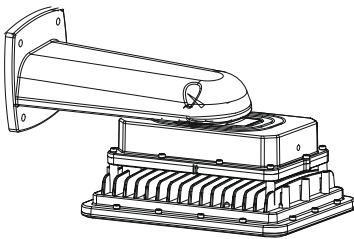
**Hook Mount**



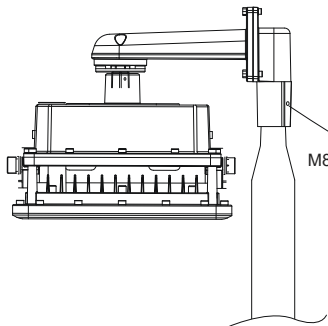
**Pendent Mount**



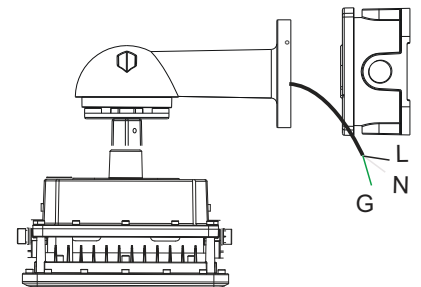
**Arm Mount**



**Stanchion Mount**



**Wall Mount**





# HZA Series Hazardous Location Fixture

**Fixture Type:**

**Project Name:**

**Location:**

**Date:**

## Performance Data

| 5000K  |         |          |         |          |
|--------|---------|----------|---------|----------|
| SERIES | WATTAGE | VOLTAGE  | LUMEN   | EFFICACY |
| HZA1   | 20W     | 100-277V | 2800lm  | 140lm/W  |
|        | 40W     | 100-277V | 5600lm  | 140lm/W  |
|        | 60W     | 100-277V | 8400lm  | 140lm/W  |
| HZA2   | 80W     | 100-277V | 11200lm | 140lm/W  |
|        | 100W    | 100-277V | 14000lm | 140lm/W  |
| HZA3   | 150W    | 100-277V | 21000lm | 140lm/W  |
|        | 180W    | 100-277V | 25200lm | 140lm/W  |
|        | 200W    | 100-277V | 28000lm | 140lm/W  |
| HZA4   | 250W    | 100-277V | 35000lm | 140lm/W  |
|        | 300W    | 100-277V | 42000lm | 140lm/W  |
|        | 400W    | 100-277V | 56000lm | 140lm/W  |



**Fixture Type:**

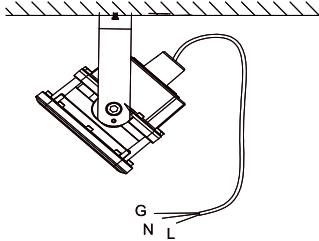
**Project Name:**

**Location:**

**Date:**

## Mounting Methods

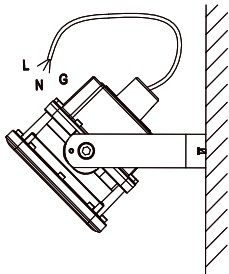
### • Option 1: Ceiling Mounting



### • Accessory



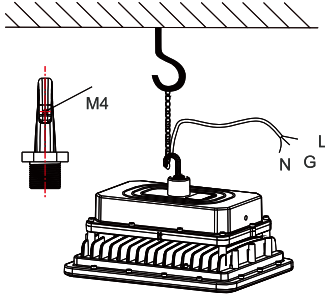
### • Option 2: Wall Mounting



### • Accessory



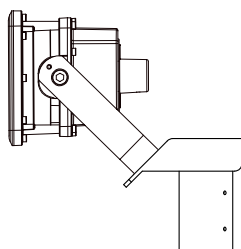
### • Option 3: Hook Mounting



### • Accessories



### • Option 4: Trunnion Mounting (Only for A1 and A2)



### • Accessory



**Fixture Type:**

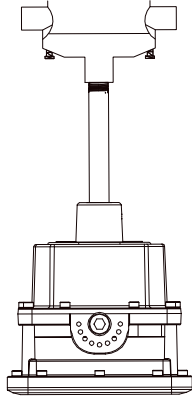
**Project Name:**

**Location:**

**Date:**

## Mounting Methods

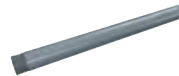
### • Option 5: Pole Mounting (Vertical)



### • Accessories

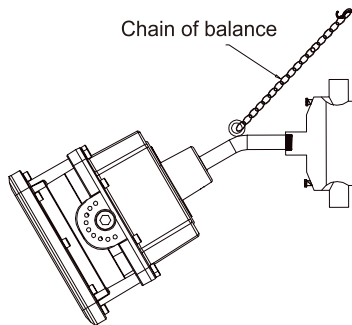


**Junction Box**  
EX-HD51-KB1



**Pole**  
Ex-Straight Pipe

### • Option 6: Pole Mounting (Non-vertical)



### • Accessories



**Junction Box**  
EX-HD51-KB1

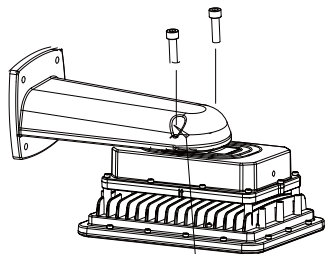


**Pole**  
Ex-Bended Pipe



**Pendant Chain**  
Ex-Straight Chain

### • Option 7: Stanchion Mounting on the Wall



### • Accessory



**Stanchion Arm**  
Ex-MArm

45mm



Make sure the screw is fixed well for safety.

6# Allen key

**Fixture Type:**

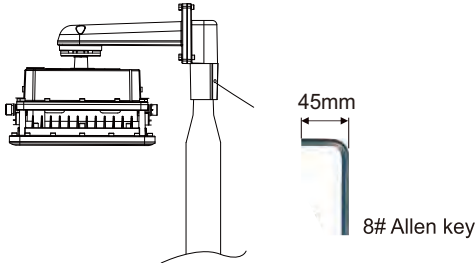
**Project Name:**

**Location:**

**Date:**

## Mounting Methods

- Option 8: Stanchion Mounting on the Pole (90 Degree)

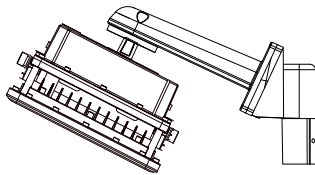


- Accessories



**EX-90PSupport**

- Option 9: Stanchion Mounting on the Pole (25 Degree)

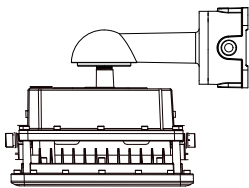


- Accessories



**EX-25PSupport**

- Option 10: Wall Mounting with Junction Box (90 Degree)

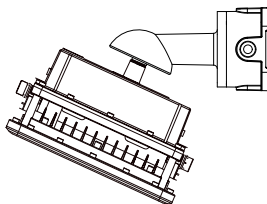


- Accessory



**Stanchion Arm  
EX-HD51-KYD 90**

- Option 11: Wall Mounting with Junction Box (25 Degree)



- Accessory



**Stanchion Arm  
EX-HD51-KYD 25**