

HZA Series Hazardous Location Fixture

Fixture Type:

Project Name:

Location:

Date:

Features

- Copper-free aluminum housing with tempered glass lens
- High quality SMT LED and Meanwell driver
- Heavy duty and high impact resistance
- Gray epoxy powder coat finish
- Rugged housing with superior thermal design translates to long luminaire life
- Integrated junction box for driver
- Standard non dimmable driver, 0-10V dimming driver available
- Marine rating powder coated finish treatment
- Standard U bracket for Ceiling mount & wall mount hook mount/pole mount/arm mount also available
- Fixture operates safely in high ambient temperatures 40°F to 149°F(-40°C to 65°C)

Certification

Marking UL844

Class I, Division 2, Groups A, B, C, D
 Class II, Division 1, Groups E, F, G
 Class II, Division 2, Groups F, G
 Class III

Marine Marking

UL 1598, UL1598A
 ABS
 Other Rating
 IP 66



A Series

A1(20W/40W/60W)

A2(80W/100W)



A3(150W/180W/200W) A4(250W/300W/400W)



Last Rev 8-25-2021

Ordering Guide

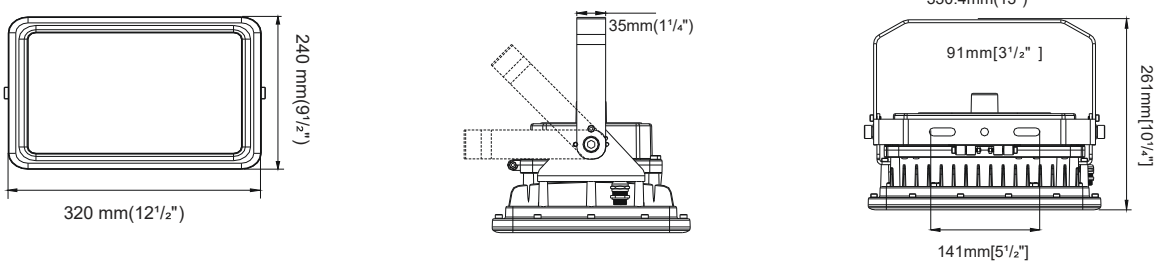
Fixture Type	Wattage	Color Temp.	Voltage	Dimming	Beam Angle	Lens
HZA1	20W	35K = 3500K	Blank = 100-277V	Blank = Non Dimmable DIM = 0-10V	D120 = 120°	Blank = Glass Lens
	40W					
	60W					
HZA2	80W	40K = 4000K	HV = 200-480V			
	100W					
HZA3	150W	50K = 5000K	Mounting Option			
	180W					
	200W					
HZA4	250W 300W 400W		Hook Mount			
			Trunnion Mount			
			Vertical Pole Mount			
			Non Vertical Pole Mount			
				Stanchion mounting on the wall		
				90 Degree Stanchion mounting on the pole		
				25 Degree Stanchion mounting on the pole		
				90 Degree Wall mounting on the Jbox		
				25 Degree Wall mounting on the Jbox		

HZA Series Hazardous Location Fixture

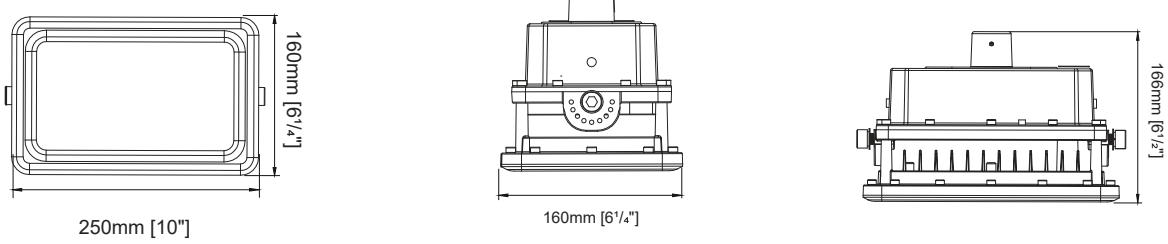
Fixture Type:
Project Name:
Location:
Date:

Dimension

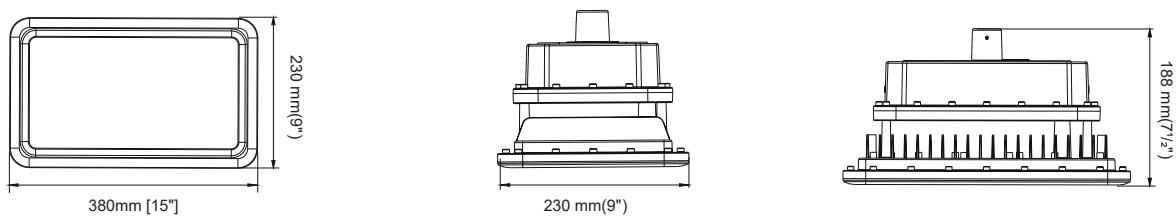
HZA1



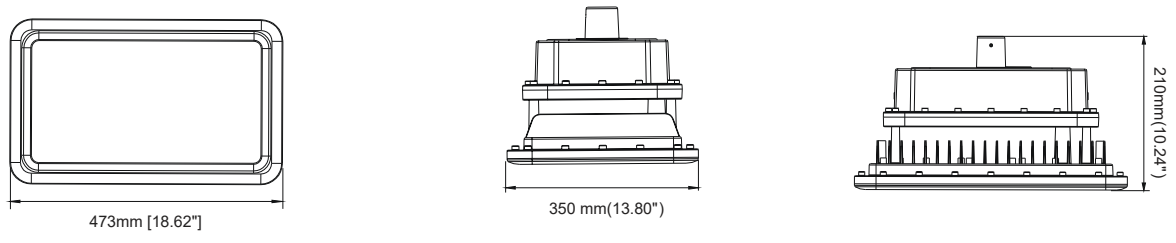
HZA2



HZA3



HZA4

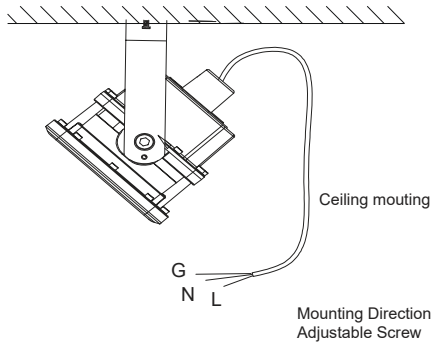


HZA Series Hazardous Location Fixture

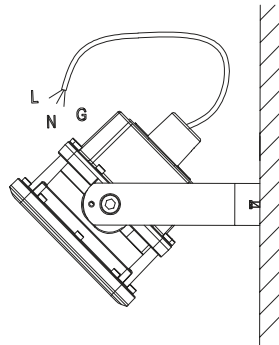
Fixture Type:
Project Name:
Location:
Date:

Mounting

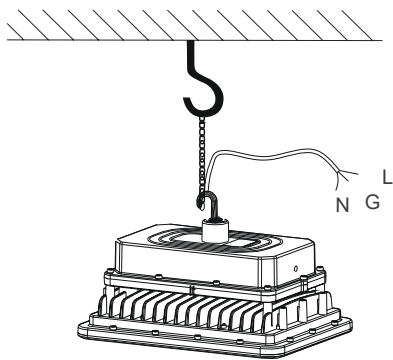
Ceiling Mount (Default)



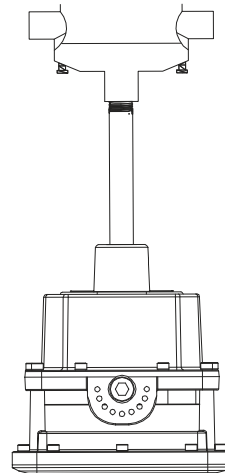
Wall Mount (Default)



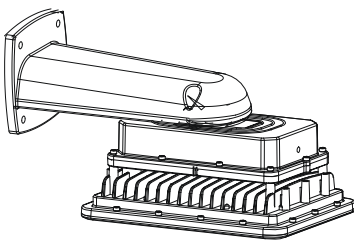
Hook Mount



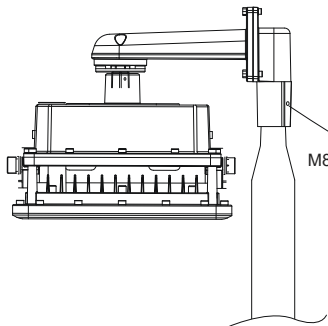
Pendent Mount



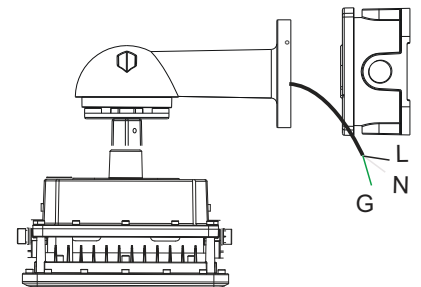
Arm Mount



Stanchion Mount



Wall Mount





HZA Series Hazardous Location Fixture

Fixture Type:

Project Name:

Location:

Date:

Performance Data

5000K				
SERIES	WATTAGE	VOLTAGE	LUMEN	EFFICACY
HZA1	20W	100-277V	2800lm	140lm/W
	40W	100-277V	5600lm	140lm/W
	60W	100-277V	8400lm	140lm/W
HZA2	80W	100-277V	11200lm	140lm/W
	100W	100-277V	14000lm	140lm/W
HZA3	150W	100-277V	21000lm	140lm/W
	180W	100-277V	25200lm	140lm/W
	200W	100-277V	28000lm	140lm/W
HZA4	250W	100-277V	35000lm	140lm/W
	300W	100-277V	42000lm	140lm/W
	400W	100-277V	56000lm	140lm/W



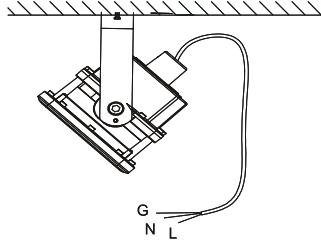
Fixture Type:

Project Name:

Location:

Date:

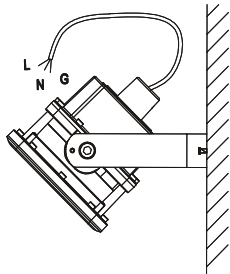
• Option 1: Ceiling Mounting



• Accessory



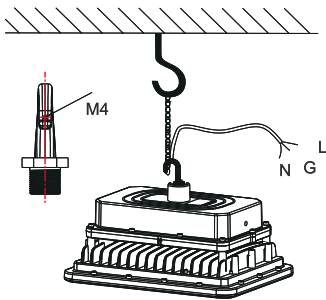
• Option 2: Wall Mounting



• Accessory



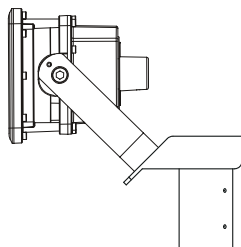
• Option 3: Hook Mounting



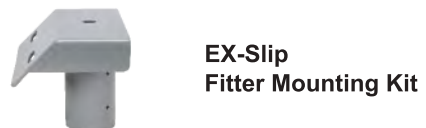
• Accessories



• Option 4: Trunnion Mounting (Only for A1 and A2)



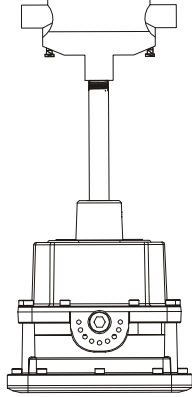
• Accessory



HZA Series Hazardous Location Fixture

Fixture Type:
Project Name:
Location:
Date:

• Option 5: Pole Mounting (Vertical)



• Accessories

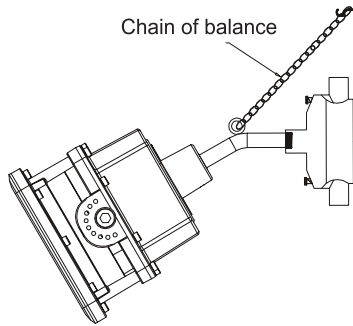


Junction Box
EX-HD51-KB1



Pole
Ex-Straight Pipe

• Option 6: Pole Mounting (Non-vertical)



• Accessories



Junction Box
EX-HD51-KB1

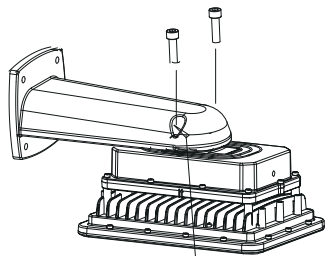


Pole
Ex-Bended Pipe



Pendant Chain
Ex-Straight Chain

• Option 7: Stanchion Mounting on the Wall



• Accessory



Stanchion Arm
Ex-MArm

45mm



Make sure the screw is fixed well for safety.

6# Allen key

HZA Series Hazardous Location Fixture

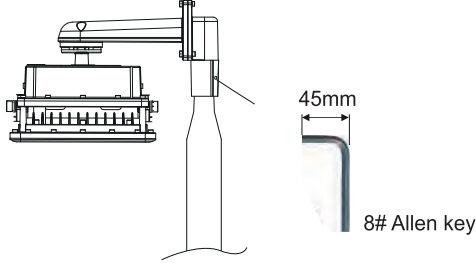
Fixture Type:

Project Name:

Location:

Date:

- Option 8: Stanchion Mounting on the Pole (90 Degree)

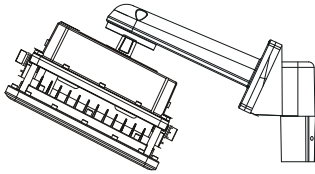


- Accessories



EX-90PSupport

- Option 9: Stanchion Mounting on the Pole (25 Degree)

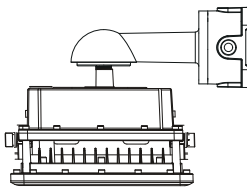


- Accessories



EX-25PSupport

- Option 10: Wall Mounting with Junction Box (90 Degree)

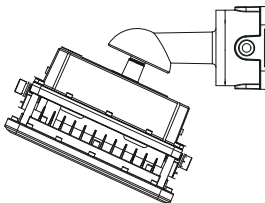


- Accessory



**Stanchion Arm
EX-HD51-KYD 90**

- Option 11: Wall Mounting with Junction Box (25 Degree)



- Accessory



**Stanchion Arm
EX-HD51-KYD 25**