

Fixture Type:

Project Name

Location:

Date:

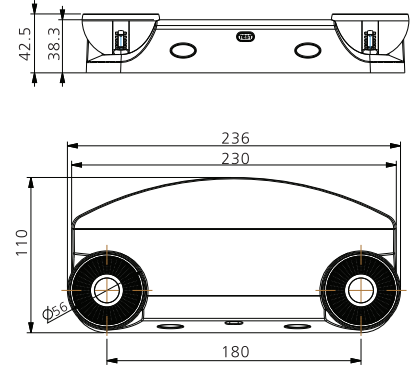
EMC Series Emergency Light

Features

- Injection-molded thermoplastic ABS housing, UL 94V-0 flame rating
- Easy and quick installation
- Suitable for wall mount and universal J-box mounting
- 120 - 277V AC input
- 2pc 1W ultra bright LED lamp heads for emergency mode
- Built-in long life 3.6V 1000mAh Nickel cadmium battery for minimum 90 minutes
- Maximum 24 hours for full recharge time
- Adjustable lamp-head
- Provide with test switch and AC-ON indicator
- Damp location listed

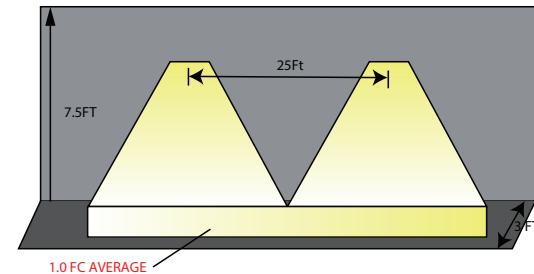


Dimensions



Product Performance Standard

| | | | |
|---------------------|-------------------------|--------------------------------------|-----------------------------|
| Size | 11" L x 4" H x 2 1/2" W | Voltage | 120-277Vac |
| Weight | 1 lb | LED Lifespan | 50,000 Hrs |
| Mounting | Wall Mount/Ceiling | Input Power | 2W |
| Color Temp | 6000K | Battery | Nickel Cadmium |
| Luminous | Up to 200lm | Warranty | 5 Years |
| Packing Info | 12pcs/Box | Ambient Operation Temperature | 0C° (32°F) ~40C° (104°F) |



| | | |
|-----------------|--------------------|----------------------------|
| Mounting Height | Illumination Level | Multiple Luminaire Spacing |
| 7.5FT | 1 FT Avg | 25 FT |

Ordering Guide

Exmple : LEDEMC7032-JL

Fixture Type

Description

LEDEMC7032-JL

White Finish, Dual Head Adjustable Emergency Light, NiCard Battery, UL Listed