

Fixture Type:

Project Name:

Location:

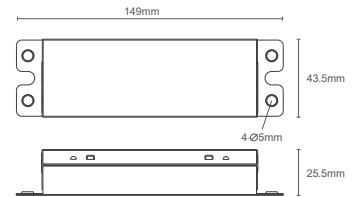
Date:

Features

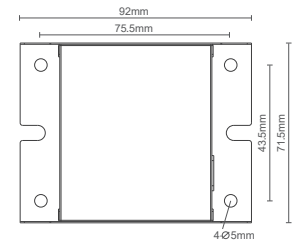
- Use in damp and dry environment
- For use on a wide ranges of LED fittings to convert them from standard to emergency fitting
- Additional relay that can control standard LED driver
- Deep discharge protection
- Connector between emergency kit and battery has the function of polarity reversal protection
- Used with LiFePO4 battery suits for LED fitting with external led driver



Dimension



Emergency driver



Battery pack

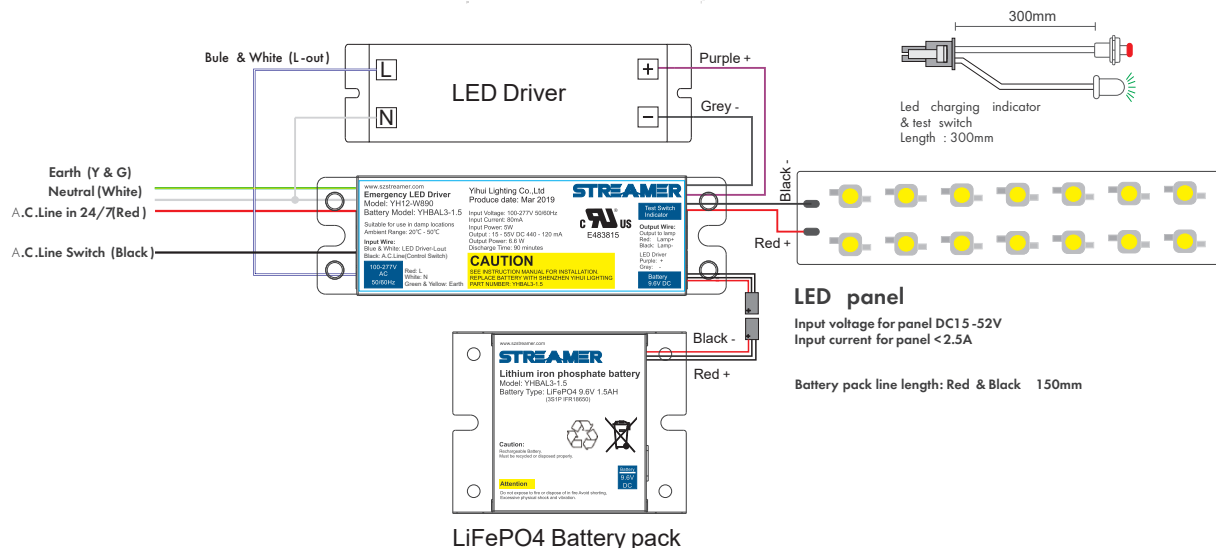
Product Performance Standard

SKU	EMBK8WL-S-INT01	Recharge Time	12 Hours
Voltage	100-277VAC	Discharge Time	90 Minutes
Battery Pack capacity	LifePO4 9.6V 1500mAH	Lumen Factor	100lm/W
Output Power	8W	Min Ambient Range	0 C°
Output Current	60mA	Max Ambient Range	50 C°

Wiring Diagram

Length :

- Earth (Green & Yellow) 300mm
- Neutral (White) 300mm
- AC. Line (Red) 300mm
- AC. Line (Black) 300mm
- Blue & White (Lin /Lout) 300mm
- Purple 300mm
- Grey 300mm
- Red(LED panel) 300mm
- Black(LED panel) 300mm
- Red & Black (To battery) 150mm



LED panel

Input voltage for panel DC15-52V
Input current for panel < 2.5A

Battery pack line length: Red & Black 150mm