

# DD4 Series

LED 5CCT 6" Disk Downlight with Motion Sensor

**Fixture Type:**

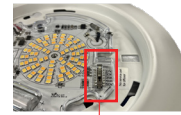
**Project Name:**

**Location:**

**Date:**

## Features

- 6" LED disk downlight
- Diffused polycarbonate lens controls direct glare from the LEDs
- Simple snap in installation for J-box
- Die-cast aluminum construction with a powder coat paint finish
- 15W with 1000 lumen output
- Selectable color temperature 5CCT :  
2700/3000/3500/4000/5000K
- Integrated PIR motion sensor and adjustable timer function  
1min/5min/10min
- Suitable for wet location

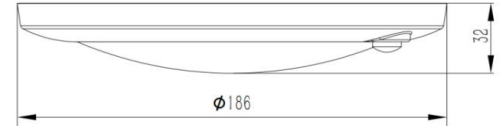
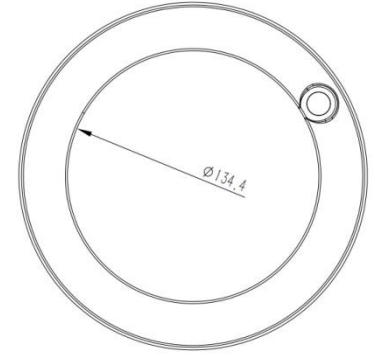


Ajustable timer switch  
1min/5min/10min

5CCT 2700K/3000K/  
3500K/4000K/5000K



## Dimensions

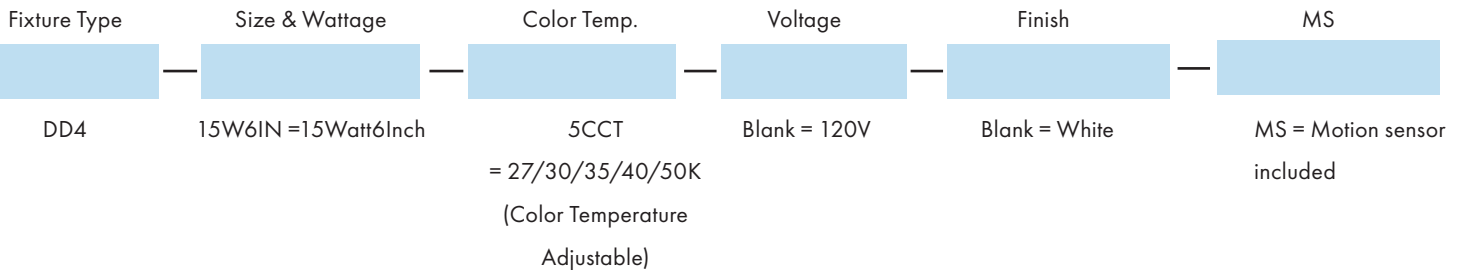


## Product Performance Standard

<b>Size</b>	6"	<b>Power Factor</b>	90%
<b>Weight</b>	2lb	<b>Life Span</b>	50,000 Hrs
<b>Mounting</b>	Surface mount/retrofit	<b>Dimmable</b>	Non dimmable
<b>Color Temp</b>	5CCT	<b>Efficacy</b>	up to 67 lm/W
<b>CRI</b>	80	<b>Warranty</b>	5 Years
<b>Input Voltage</b>	120V	<b>Ambient Operation Temperature</b>	-15C° (-4°F) ~ 40° (104°F)

## Ordering Guide

Example: DD4-15W6IN5CCTMS



# DD4 Series

LED 5CCT 6" Disk Downlight with Motion Sensor

**Fixture Type:**

**Project Name:**

**Location:**

**Date:**

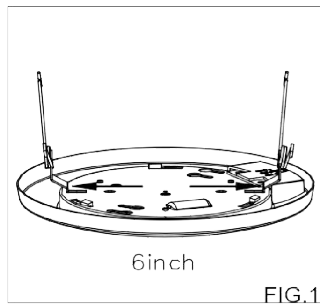
## Product Information

**5000K**

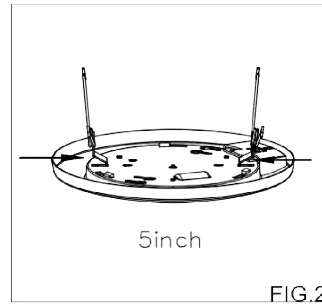
WATTAGE	LUMEN	EFFICACY
15W	1000 lm	67 lm/W

## Installation

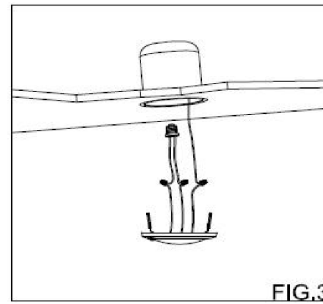
For 6 inch barrel



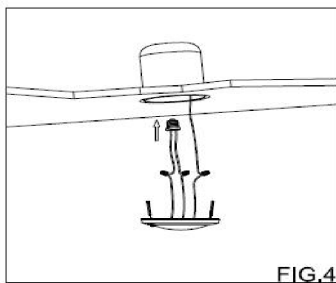
For 5 inch barrel



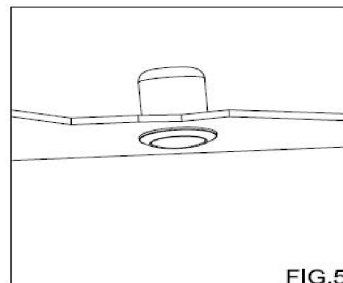
Connect wires  
(white to white; black to black ,  
copper wire to copper wire )



Thread the socket  
adapter into the socket



After installation, clamp and  
put the spring hoop into the  
container



Set the CCT switch as you need

