

Fixture Type:

Project Name:

Location:

Date:

Features

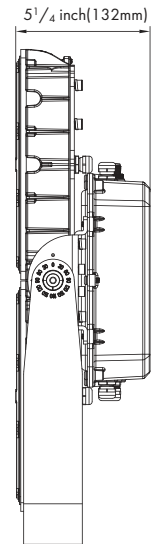
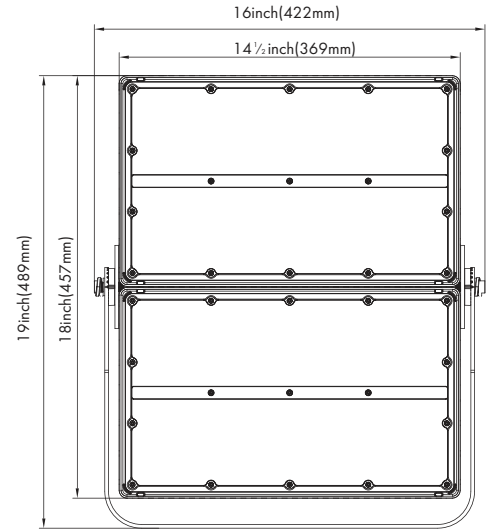
- Double extra-large LED flood light with standard 7H*6V (Standard lens) and 4H*4V lens available.
- 1-10V dimming driver
- Rugged die-cast aluminum housing
- Vented housing separated LEDs module from driver, maximizing fixture lifespan and performance
- Door frame seals to housing with a continuous extruded silicone gasket
- Trunnion mount option
- Compatible with photocell



Product Performance Standard

Size	18" L X 14 1/2" W X 5 1/4" H	Power Factor	≥90%
Weight	31 lb	LED Lifespan	100,000 Hrs
IP Rate	IP65	Dimmable	1-10V Dimmable
Color Temp	4000K-5000K	Photometry	7H*6V / 4H*4V
CRI	70	Warranty	5 Years
Input Voltage	120-277V / 347-480V	Ambient Operation Temperature	-40C° (-40°F) ~40C° (104°F)

Dimension



Ordering Guide

Example: LEDXXLFL 350W

Fixture Type	Wattage	Color Temp.	Voltage	Finish	Mounting	NEMA	Optional Accessories
LEDXXLFL	350W	40K=4000K 50K=5000K	Blank = 120-277V HV = 347 -480V	Standard finish: Blank = Dark Bronze 1 Premium finish: BK = Black WH = White	TM = Trunnion	Blank = 7H*6V 344 = 4H*4V	Blank = No Accessories 2PC = Photocell (-WPPC)

Notes: 1. Premium finish incur on additional cost, contact factory for MOQ and availability.
2. Photocell is only available for low voltage fixture
3. 7HX6V is the standard lens. 4HX4V lens, consult factory for availability

Fixture Type:

Project Name:

Location:

Date:

Product Information

4000K			5000K	
WATTAGE	LUMEN	EFFICACY	LUMEN	EFFICACY
350W	48000lm	137lm/W	49500lm	141lm/W

EPA

Item							
	1	2 @90°	2 @120°	2@180°	3 @90°	3 @120°	4 @90°
350W	0.536	1.061	1.278	1.072	1.597	1.805	1.597

Optional Accessories



Internal Photocell

-SKU: WPPC

-Internal photocell is field installed or pre-installed by request.

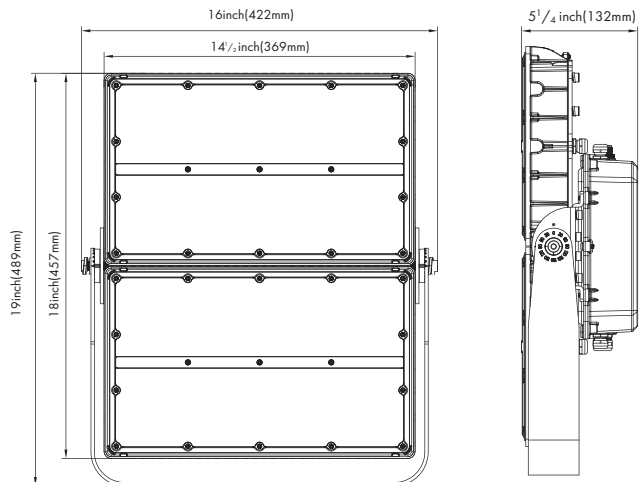
For the accessories detail, please visit www.lironlighting.com/product_categories/add-on-accessories

Mounting Options



Trunnion Mount

-SKU: TM



Net Weight
350W: 31.272 lb

Fixture Type:

Project Name:

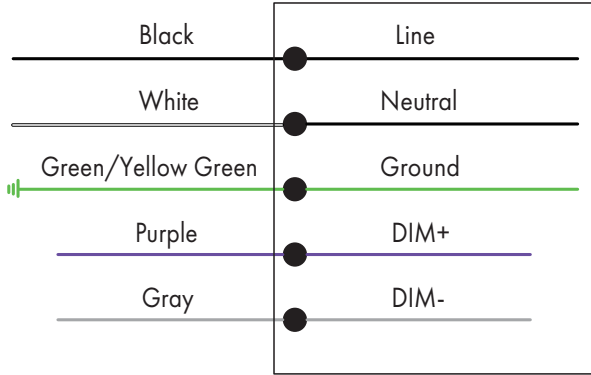
Location:

Date:

Wiring Diagram

CORD/ SUPPLY WIRING

LUMINAIRE



Scan the QR code or visit www.lironlighting.com/product/ledxxlfl for the complete luminaire installation guide.

Note:
