

Fixture Type:

Project Name:

Location:

Date:

Features

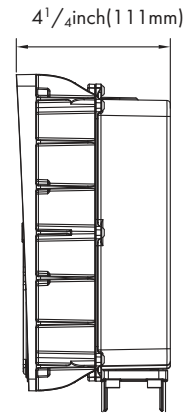
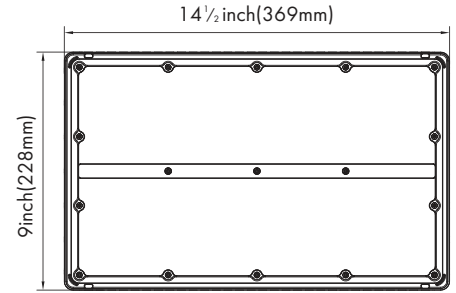
- Extra Large LED flood light with 7H*6V(standard) or 4H*4V NEMA distributions
- 1-10V dimming driver
- Rugged die-cast aluminum housing
- Vented housing separated LEDs module from driver, maximizing fixture lifespan and performance
- Door frame seals to housing with a continuous extruded silicone gasket
- Slipfitter or trunnion mount option
- Compatible with photocell



Product Performance Standard

Size	9L" X 14½W" X 4¼"H	Power Factor	≥90%
Weight	14 lb	LED Lifespan	50,000 Hrs
IP Rate	IP65	Dimmable	1-10V Dimmable
Color Temp	4000K-5000K	Photometry	7H*6V / 4H*4V
CRI	70	Warranty	5 Years
Input Voltage	120-277V/347-480V	Ambient Operation Temperature	-40C° (-40°F) ~40C° (104°F)

Dimension



Ordering Guide Example: LEDXLFL 135W 40K

Fixture Type	Wattage	Color Temp.	Voltage	Finish	Mounting	NEMA	² Optional Accessories
LEDXLFL	135W	40K=4000K	Blank = 120-277V	Standard finish:	TM = Trunnion	Blank = 7H*6V	Blank = No Accessories
	200W	50K=5000K	HV = 347-480V	Blank = Dark Bronze	SP = Slipfitter	³ 44 = 4H*4V	PC = Photocell (-WPPC)
				¹ Premium finish: BK = Black WH = White			

Notes: 1. Premium finish incur on additional cost, contact factory for MOQ and availability.
2. Photocell is only available for low voltage fixture
3. 7HX6V is the standard lens. 4HX4V lens, consult factory for availability

Fixture Type:

Project Name:

Location:

Date:

Product Information

4000K			5000K	
WATTAGE	LUMEN	EFFICACY	LUMEN	EFFICACY
135W	17500lm	130lm/W	17600lm	130lm/W
200W	24600lm	128lm/W	24800lm	128lm/W

Optional Accessories



Internal Photocell

-SKU: WPPC

-Internal photocell is field installed or pre-installed by request.

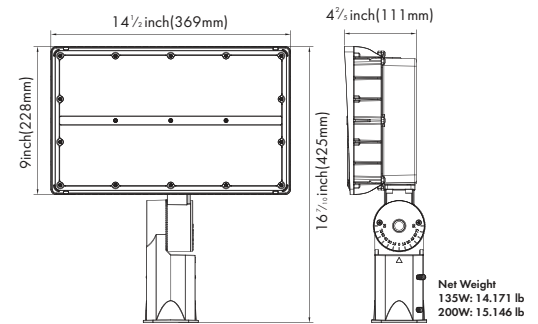
For the accessories detail, please visit www.lironlighting.com/product_categories/add-on-accessories

Mounting Options



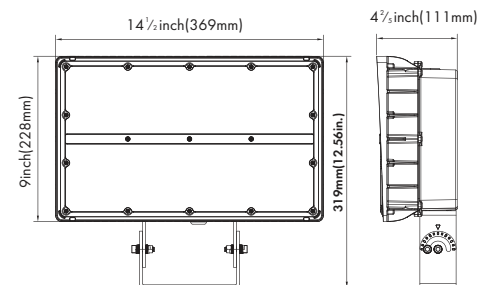
Slipfitter Mount

-SKU: SP



Trunion Mount

-SKU: TM



Net Weight
135W: 13.431 lb
200W: 14.405 lb

Fixture Type:

Project Name:

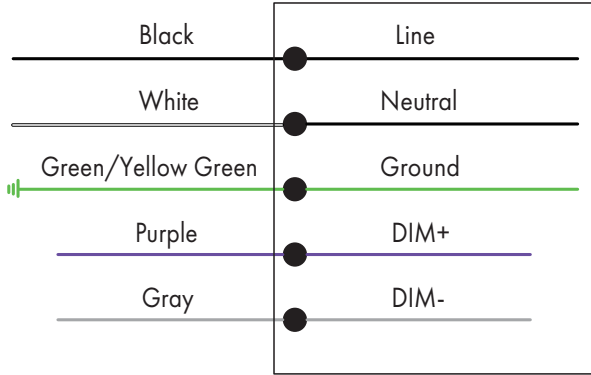
Location:

Date:

Wiring Diagram

CORD/ SUPPLY WIRING

LUMINAIRE



Scan the QR code or visit
www.lironlighting.com/products/ledxfl
 for the complete luminaire installation guide.

Note:
