

Fixture Type:

Project Name:

Location:

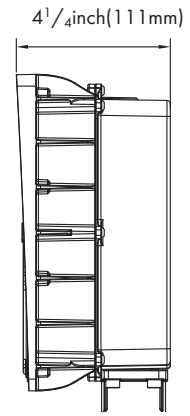
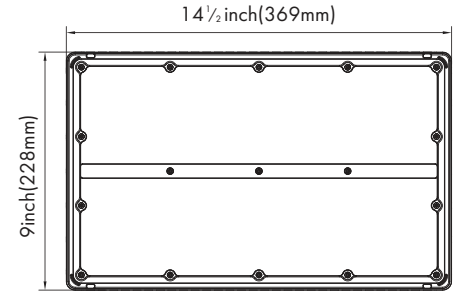
Date:

Features

- Extra Large LED flood light with 7Hx6V (standard) or 4Hx4V NEMA distributions
- 1-10V dimming driver
- Rugged die-cast aluminum housing
- Vented housing separated LEDs module from driver, maximizing fixture lifespan and performance
- Door frame seals to housing with a continuous extruded silicone gasket
- Slipfitter or trunnion mount option
- Compatible with photocell



Dimension



Product Performance Standard

Size	9L" X 14 1/2W" X 4 1/4"H	Power Factor	≥90%
Weight	14 lb	LED Lifespan	50,000 Hrs
IP Rate	IP65	Dimmable	1-10V Dimmable
Color Temp	4000K-5000K	Photometry	7Hx6V / 4Hx4V
CRI	70	Warranty	5 Years
Input Voltage	120-277V/347-480V	Ambient Operation Temperature	-40C° (-40°F) ~40C° (104°F)

Ordering Guide

Example: LEDXLFL 135W 40K

Fixture Type	Wattage	Color Temp.	Voltage	Finish	Mounting	NEMA	² Optional Accessories
LEDXLFL	135W	40K=4000K	Blank = 120-277V	Standard finish:	TM = Trunnion	Blank = 7Hx6V	Blank = No Accessories
	200W	50K=5000K	HV = 347-480V	Blank = Dark Bronze	SP = Slipfitter	³ 44 = 4Hx4V	PC = Photocell (-WPPC)
				¹ Premium finish:			
				BK = Black			
				WH = White			

Notes: 1. Premium finish incur on additional cost, contact factory for MOQ and availability.
 2. Photocell is only available for low voltage fixture
 3. 7HX6V is the standard lens. 4HX4V lens, consult factory for availability

Fixture Type:

Project Name:

Location:

Date:

Product Information

4000K			5000K	
WATTAGE	LUMEN	EFFICACY	LUMEN	EFFICACY
135W	17500lm	130lm/W	17600lm	130lm/W
200W	24600lm	128lm/W	24800lm	128lm/W

Optional Accessories



Internal Photocell

-SKU: WPPC

-Internal photocell is field installed or pre-installed by request.

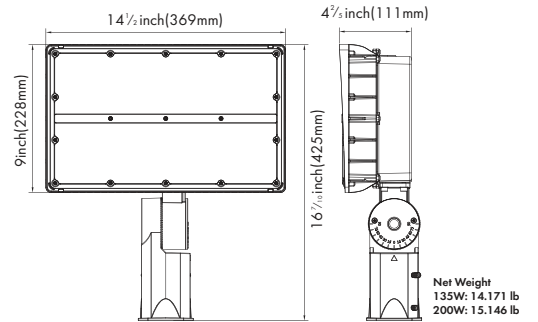
For the accessories detail, please visit www.lironlighting.com/product_categories/add-on-accessories

Mounting Options



Slipfiter Mount

-SKU: SP



Trunion Mount

-SKU: TM

