

**Fixture Type:**

**Project Name:**

**Location:**

**Date:**

## Features

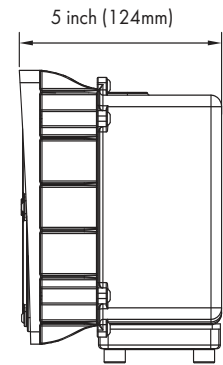
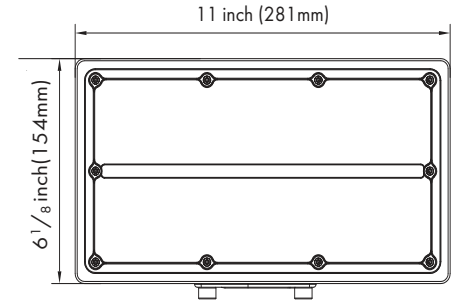
- Large LED flood light with 7Hx6V NEMA distributions
- 1-10V dimming driver
- Rugged die-cast aluminum housing
- Vented housing separated LEDs module from driver, maximizing fixture lifespan and performance
- Door frame seals to housing with a continuous extruded silicone gasket
- Slipfitter or trunnion mount
- Compatible with photocell



## Product Performance Standard

|                      |                         |                                      |                                |
|----------------------|-------------------------|--------------------------------------|--------------------------------|
| <b>Size</b>          | 6 1/8" L X 11" W X 5" H | <b>Power Factor</b>                  | ≥90%                           |
| <b>Weight</b>        | 7 lb                    | <b>LED Lifespan</b>                  | 50,000 Hrs                     |
| <b>IP Rate</b>       | IP65                    | <b>Dimmable</b>                      | 1-10V Dimmable                 |
| <b>Color Temp</b>    | 4000K-5000K             | <b>Photometry</b>                    | 7Hx6V                          |
| <b>CRI</b>           | 70                      | <b>Warranty</b>                      | 5 Years                        |
| <b>Input Voltage</b> | 120-277V/347-480V       | <b>Ambient Operation Temperature</b> | -40C° (-40°F)<br>~40C° (104°F) |

## Dimension



## Ordering Guide

Example: LEDLFL 70W 40K

| Fixture Type | Wattage     | Color Temp.            | Voltage                           | Finish   | Mounting                         | Optional Accessories                              |
|--------------|-------------|------------------------|-----------------------------------|--|----------------------------------|---|
| LEDLFL       | 70W<br>100W | 40K=4000K<br>50K=5000K | Blank = 120-277V<br>HV = 347-480V | Standard finish:<br>Blank = Dark Bronze<br>1 Premium finish:<br>BK = Black<br>WH = White | TM = Trunnion<br>SP = Slipfitter | Blank = No Accessories<br>2PC = Photocell (-WPPC) |

Note: 1. Premium finish incur on additional cost, contact factory for MOQ and availability.  
2. Photocell only suitable for standard voltage 120-277V.

**Fixture Type:**

**Project Name:**

**Location:**

**Date:**

## Product Information

| 4000K   |         |          | 5000K   |          |
|---------|---------|----------|---------|----------|
| WATTAGE | LUMEN   | EFFICACY | LUMEN   | EFFICACY |
| 70W     | 8900lm  | 127lm/W  | 9000lm  | 127lm/W  |
| 100W    | 13300lm | 133lm/W  | 13400lm | 133lm/W  |

## Optional Accessories



### Internal Photocell

-SKU: WPPC

-Internal photocell is field installed or pre-installed by request.

For the accessories detail, please visit [www.lironlighting.com/add-on-accessories](http://www.lironlighting.com/add-on-accessories)

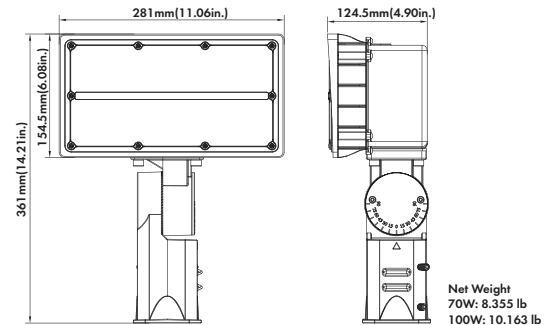
## Mounting Options



### Slipfiter Mount -

SKU: SP

- Fit 2-3/8" horizontal tenon arm



### Trunion Mount

-SKU: TM

