

**Fixture Type:**

**Project Name:**

**Location:**

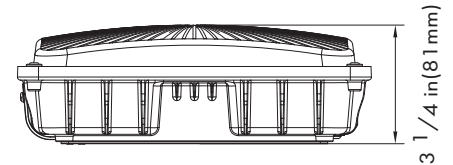
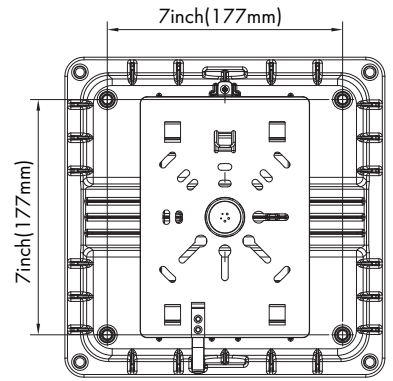
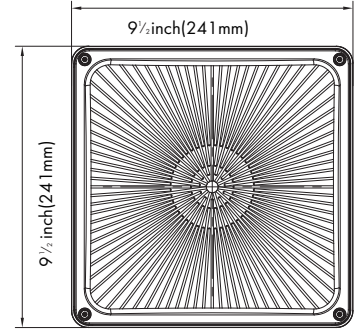
**Date:**

## Features

- Low profile, rugged die-cast aluminum housing
- Dark bronze powder coat finish
- UV stabilized polycarbonate optical lens
- Standard surface mount or J box mount
- 3/4" pendant mount available as an option



## Dimension



## Product Performance Standard

|                      |                          |                                      |                                |
|----------------------|--------------------------|--------------------------------------|--------------------------------|
| <b>Size</b>          | 9 1/2" X 9 1/2" X 3 1/4" | <b>Power Factor</b>                  | ≥90%                           |
| <b>Weight</b>        | 4 lb                     | <b>LED Lifespan</b>                  | 50,000 Hrs                     |
| <b>IP Rate</b>       | IP65                     | <b>Dimmable</b>                      | Non Dimmable                   |
| <b>Color Temp</b>    | 4000K-5000K              | <b>Photometry</b>                    | Parking Garage                 |
| <b>CRI</b>           | 70                       | <b>Warranty</b>                      | 5 Years                        |
| <b>Input Voltage</b> | 120-277V                 | <b>Ambient Operation Temperature</b> | -40C° (-40°F)<br>~45C° (113°F) |

## Ordering Guide Example: LEDCNP 27W 40K

| Fixture Type | Wattage    | Color Temp.            | Voltage          | Finish  |
|--------------|------------|------------------------|------------------|---|
| LEDCNP       | 27W<br>40W | 40K=4000K<br>50K=5000K | Blank = 120-277V | Standard finish:<br>Blank = Dark Bronze<br>¹Premium finish:<br>BK = Black<br>WH = White |

Note: 1. Premium finish incur on additional cost, contact factory for MOQ and availability.



# CNP Series Square Canopy

**Fixture Type:**

Project Name:

Location:

Date:

## Product Information

| 4000K   |        |          | 5000K  |          |
|---------|--------|----------|--------|----------|
| WATTAGE | LUMEN  | EFFICACY | LUMEN  | EFFICACY |
| 27W     | 3750lm | 130lm/W  | 3800lm | 130lm/W  |
| 40W     | 5350lm | 139lm/W  | 5450lm | 141lm/W  |