

PST2 Series

Architectural Post Top Light

Fixture Type:

Project Name:

Location:

Date:

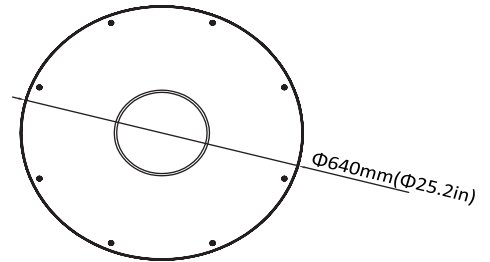
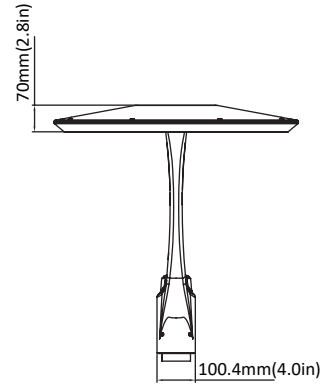
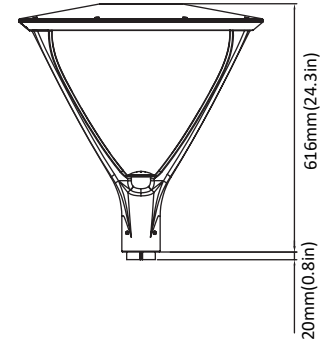
Features

- Architectural double arm post top
- Rugged die-cast aluminum housing
- Dark bronze powder coat finish with polycarbonate lens
- Wattage selectable from 45W to 130W with efficacy of up to 122 lm/W
- CCT adjustable 3000K/4000K/5000K
- Zero up light and low glare at angles
- Easy installation on 2-3/8" or 3" diameter round pole
- Universal input voltage 120-277V



Switch for wattage & 3CCT selectable

Dimensions

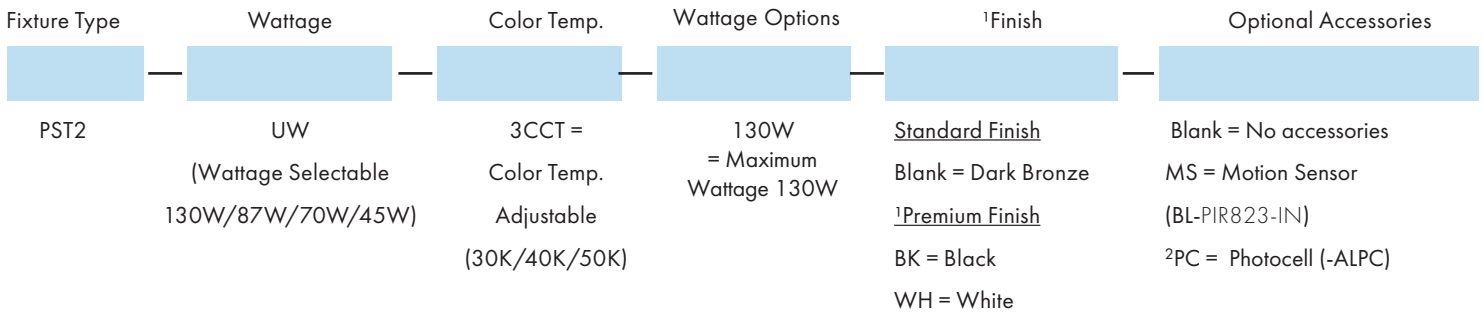


Product Performance Standard

Size	25"x24"x2.8"	Power Factor	90%
Weight	5lb	Life Span	50,000 Hrs
IP Rate	IP65	Dimmable	1-10V Dimmable
Color Temp	3CCT 30/40/50K	Efficacy	Up to 122 lm/W
CRI	80	Warranty	5 Years
Input Voltage	120-277V	Ambient Operation Temperature	-40C° (-40°F) ~ 40° (104°F)

Ordering Guide

Example: PST2-UW3CCT-130W



Note: 1. Premium finish incur an additional cost. Contact factory for MOQ and availability.
2. Photocell is require factory special installation, please contact us for more information.

PST2 Series

Architectural Post Top Light

Fixture Type:

Project Name:

Location:

Date:

Product Information

		4000K		5000K	
WATTAGE	LUMEN	EFFICACY	LUMEN	EFFICACY	
45W	5400lm	120lm/W	5500lm	130lm/W	
70W	8400lm	120lm/W	8500lm	130lm/W	
87W	10500lm	121lm/W	10600lm	122lm/W	
130W	15600lm	120lm/W	15800lm	122lm/W	

Optional Accessories



Twist Lock Photocell

- SKU: ALPC
- Photocell is factory install only, please contact us for more information.

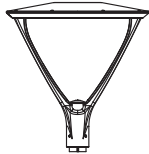


PIR Motion Sensor

- SKU: BL-PIR823-IN
- Multi level control based on motion and /or daylight contribution.
- Daylight sensor function.
- Internal motion sensor is pre-installed by request

For the accessories detail, please visit www.lironlighting.com/product_categories/add-on-accessories

EPA OF POST TOP

Item	
EPA	0.9696