

LEDAPK Series

Architectural Area Light

Fixture Type:

Project Name

Location:

Date:

Features

- Slim, low profile design minimized wind load requirements
- Rugged die cast aluminum housing with weather-tight integral LED driver compartment
- Dark bronzed polyester powder coat paint
- Premium 5050 SMD LEDs
- Optics are available IES type III, IV and V distributions
- Mounting available for round pole, square pole, wall mount and trunnion mount
- Integral 10kV surge suppression protection standard
- Optional backlight control shield
- Compatible with motion sensor and photocell

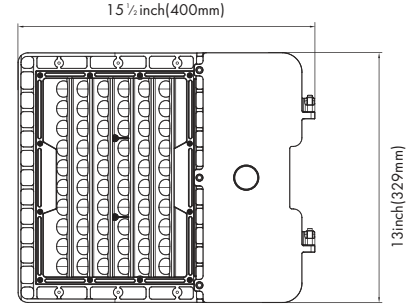
100W/150W/200W



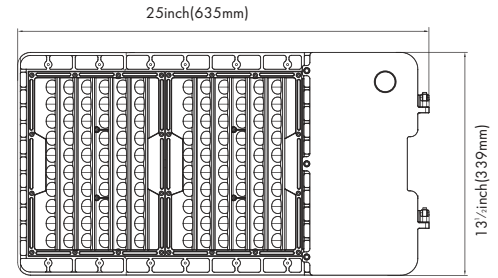
240W/300W/350W



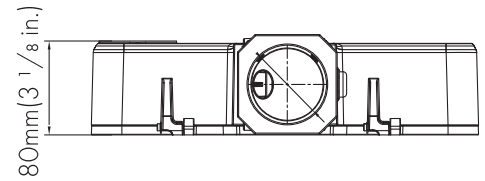
Dimensions



100W/150W/200W



240W/300W/350W



Product Performance Standard

Size:	15 1/2" L / 25" L	Power Factor:	90%
Weight:	15 lb/25lb	LED Life Span:	100,000 Hrs
IP Rate:	IP65	Dimmable:	1-10V Dimmable
Color Temp:	4000K-5000K	THD:	20%
CRI:	70	Distribution Type:	Type III/IV/V
Input Voltage:	120-277V or 347-480V	Ambient Operation Temperature:	-40°C (-40°F) ~45°C (113°F)

Ordering Guide

Example: LEDAPK100W50K4

Fixture Type	Wattage	Color Temp.	Voltage	Optical	Finish	Mounting	Optional Accessories ²
LEDAPK	100W	40K = 4000K	Blank = 120-277V	3 = Type III	Standard Finish:	WM = Wall Mount	Blank = No accessories
	150W	50K = 5000K	HV = 347-480V	4 = Type IV	Blank = Dark Bronze	AM = Arm mount	PC = Photocell
	200W			5 = Type V	¹ Premium Finish:	SP = Slipfitter	(ALPC)
	240W				BK = Black	³ TM = Trunnion Mount	(ALPC-HV)
	300W				WH = White		MS = Motion Sensor ²
	350W						(BL-PIR823-IN)

Note: 1. Premium finish color incur additional cost, consult factory for the availability
 2. Motion sensor is only available for low voltage fixture
 3. Photocell is not support for trunnion mount

Fixture Type:

Project Name

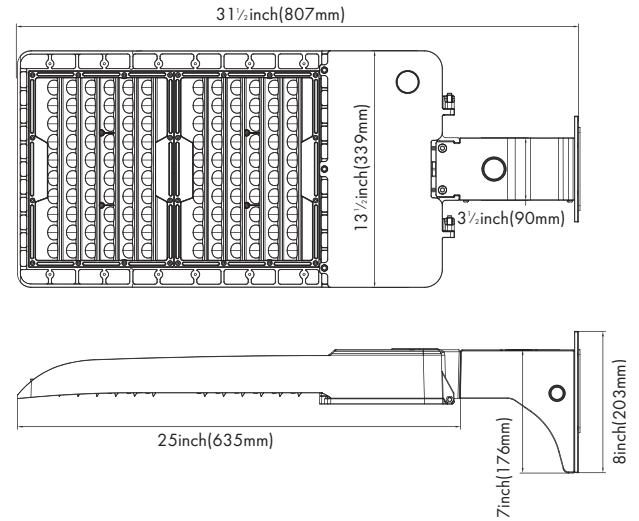
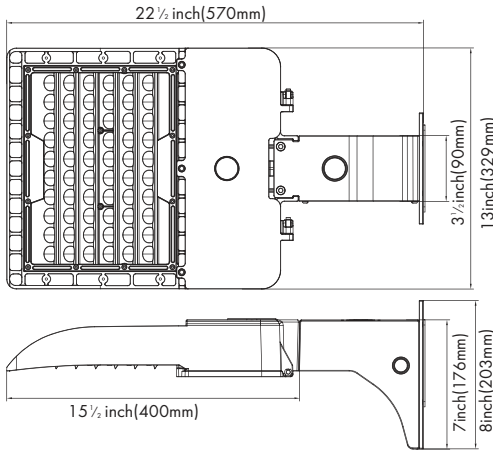
Location:

Date:

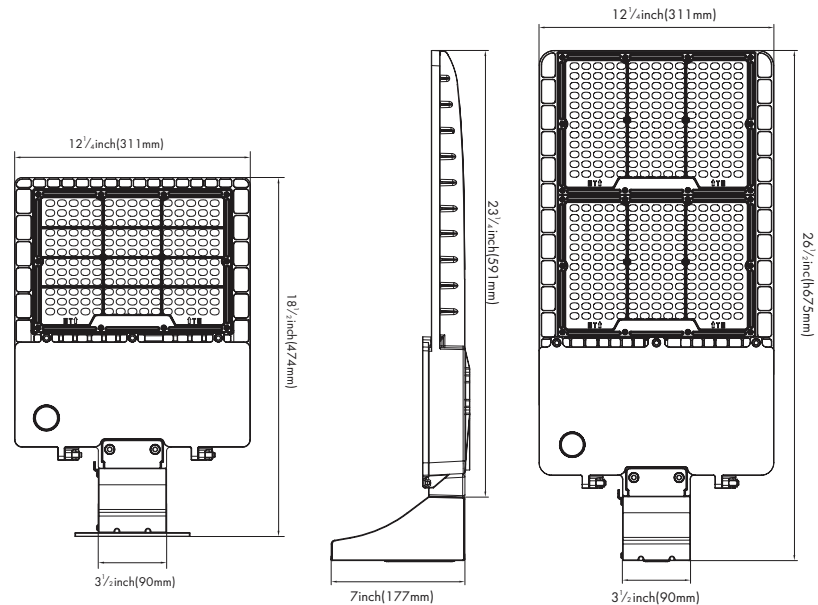
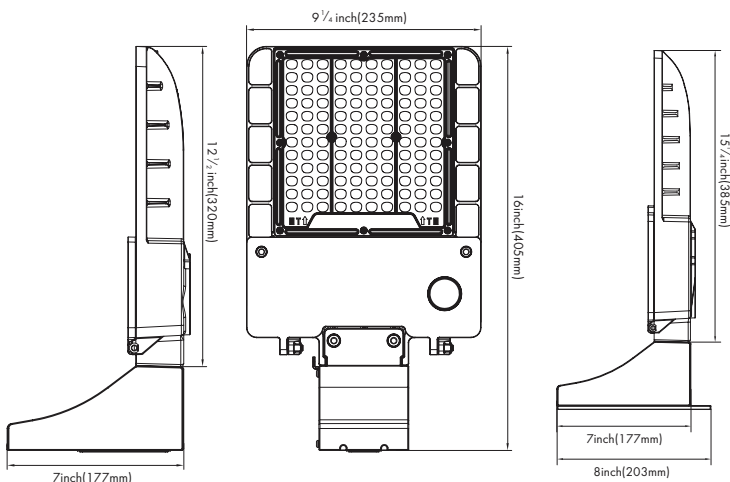
Mounting Options



Arm Mount - Standard versatile mounting arm is simple to install and can be used with existing poles for retrofit installations. (3" , 4" and 5" Square and Round poles)



Wall Mount - Wall mount is easy to install for direct wall mounting with 1/2' conduit wiring or standard J box mounting.



Fixture Type:

Project Name

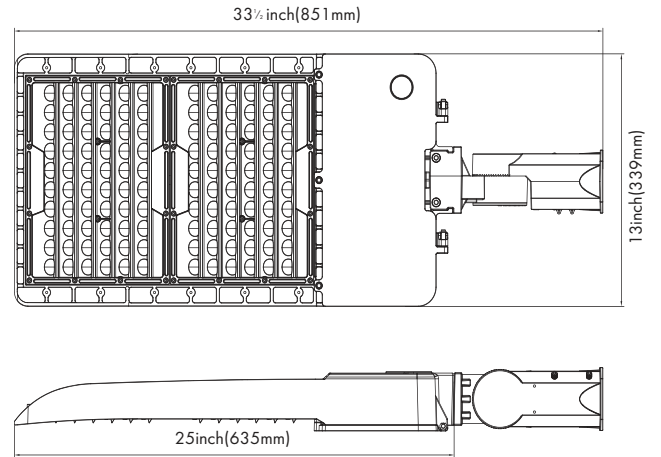
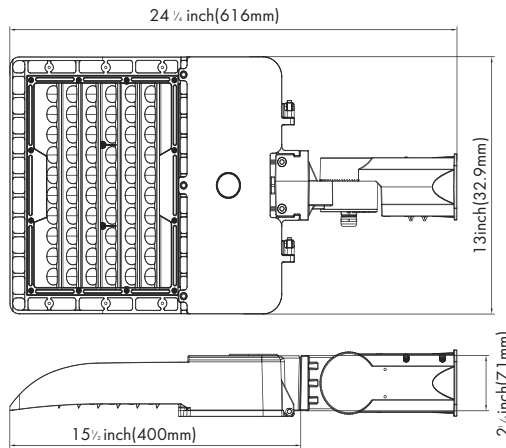
Location:

Date:

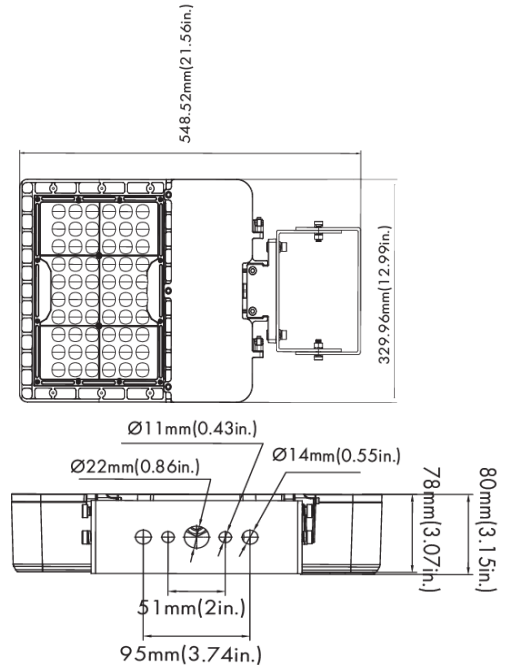
Mounting Options



Slipfitter Mount (SPAPK)- An optional cast aluminum arm adapter secures fixture head to nominal 2-3/8" O.D. horizontal steel tenon arm.



Trunnion Mount (TM-APK)- Easy installation trunnion mount for any flat surface with Trunnion Mount. Adjustable angle allows custom beam direction. (Not support for photocell)



Multi Direction Mount (UNVMAPK)

Fixture Type:

Project Name

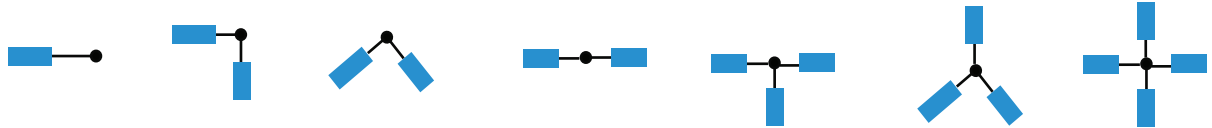
Location:

Date:

Performance Data

DIST. TYPE	WATTAGE	4000K		5000K	
		LUMEN	EFFICACY	LUMEN	EFFICACY
III	100W	14200lm	142lm/W	14200lm	142lm/W
IV	100W	14200lm	142lm/W	14200lm	142lm/W
V	100W	14800lm	148lm/W	14800lm	148lm/W
III	150W	21200lm	141lm/W	21200lm	141lm/W
IV	150W	21200lm	141lm/W	21200lm	141lm/W
V	150W	22200lm	148lm/W	22200lm	148lm/W
III	200W	28000lm	140lm/W	28000lm	140lm/W
IV	200W	28000lm	140lm/W	28000lm	140lm/W
V	200W	28000lm	144lm/W	28000lm	144lm/W
III	240W	34000lm	142lm/W	34000lm	142lm/W
IV	240W	34000lm	142lm/W	34000lm	142lm/W
V	240W	35500lm	148lm/W	35500lm	148lm/W
III	300W	42500lm	142lm/W	42500lm	142lm/W
IV	300W	42500lm	142lm/W	42500lm	142lm/W
V	300W	43700lm	146lm/W	43700lm	146lm/W
III	350W	50000lm	143lm/W	50000lm	143lm/W
IV	350W	50000lm	143lm/W	50000lm	143lm/W
V	350W	51000lm	146lm/W	51000lm	146lm/W

EPA of Area Light:



100W/150W/200W	0.4418	0.7145	0.8813	0.8836	1.0548	1.0135	1.0548
240W/300W/350W	0.5614	0.8471	1.105	1.1228	1.294	1.2503	1.294

Amps Draw:

	120V	208V	240V	277V	347V	480V
100W	0.83	0.48	0.42	0.36	0.29	0.21
150W	1.25	0.72	0.63	0.54	0.43	0.31
200W	1.67	0.96	0.83	0.72	0.58	0.42
240W	2.00	1.15	1.00	0.87	0.69	0.50
300W	2.50	1.44	1.25	1.08	0.86	0.63
350W	2.92	1.68	1.46	1.26	1.01	0.73

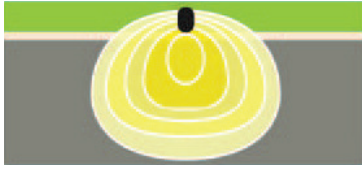
Fixture Type:

Project Name

Location:

Date:

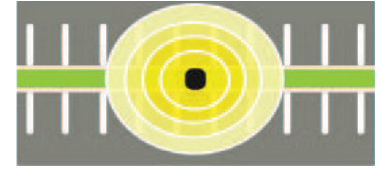
Distribution Type



Type 3 - optics produce an asymmetrical pattern that directs the majority of the light forward and equally on both sides of the luminaire. In a back to back configuration, it creates rectangular pattern which can extend pole spacings



Type 4 - is suitable for applications where light is primarily required forward with minimal backlight. Typical installations include perimeter poles.



Type 5 - optics produce a symmetrical square distribution pattern that distributes light equally on all sides of the luminaire. Type 5 luminaires is universal for most area lighting application.

Optional Accessories



Photocell

- SKU: ALPC / ALPC-HV(for high voltage)
- Dusk to dawn 3 PIN twist lock photocell
- Switch life is greater than 5000 cycles
- Reduce maintenance cost and energy consumption
- UL List global safety certification



Motion Sensor

- SKU: BL-PIR823-IN
- Internal installed PIR Motion Sensor
- Provides multi-level control based on motion and daylight contribution
- It controls 0-10V VDC LED Driver
- Rated for wet and cold locations



Glare Shield

- SKU: GLARESHIELD-APK-M/L
- External installed back light control shield



Glare Full Visor

- SKU: GLARESHIELD-APK-M/L-FULL
- External installed back light control shield

For the accessories detail, please visit www.lironlighting.com/product_categories/add-on-accessories

LEDAPK Series

Architecture Area Light

Fixture Type:
Project Name
Location:
Date:

Mountings with Photocell



Arm/Wall Mount
(100W/150W/200W)



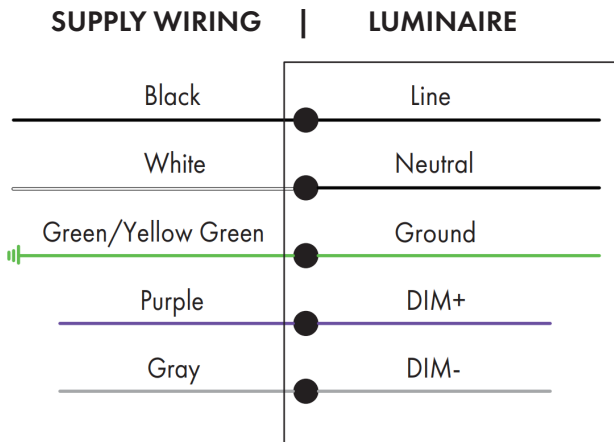
Arm/Wall Mount
(240W/300W/350W)



Slipfitter Mount

*Yoke mount does not support photocell.

Wiring Diagram



Scan the QR code or visit
www.lironlighting.com/product/ledapk
 for the complete luminaire installation guide.