

R2CNP Series

LED Round Canopy

Fixture Type:

Project Name

Location:

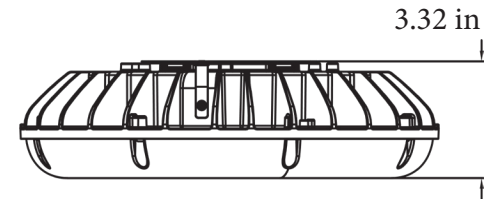
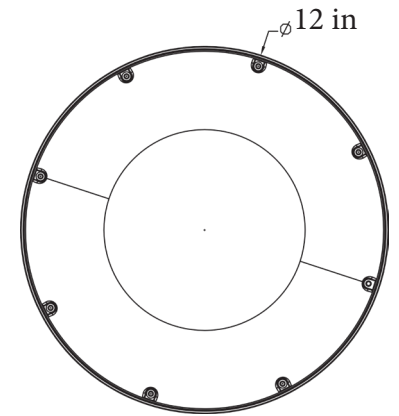
Date:

Features

- Low profile, rugged die-cast aluminum housing
- White powder coat finish
- UV stabilized polycarbonate optical lens
- 1-10V dimming driver
- Standard surface mount or J box mount
- 3/4" pendant mount available as an option
- Compatible with motion sensor and emergency battery



Dimensions



Product Performance Standard

Size	12 X 3 inch	Power Factor	90%
Weight	6 lb	Life Span	50,000 Hrs
IP Rate	IP65	Dimmable	1-10V Dimmable
Color Temp	4000K/5000K	Efficacy	Up to 129 lm/W
CRI	70	Warranty	10 Years
Input Voltage	100-277V/347-480V	Ambient Operation Temperature	-40C° (-40°F) ~ 45C° (113°F)

Ordering Guide

Example: LEDR2CNP 45W 50K

Fixture Type	Wattage	Color Temp.	Voltage	Finish	Optional Accessories
LEDR2CNP	30W 45W 60W 90W	40K = 4000K 50K = 5000K	Blank = 100-277V HV = 347-480V	Blank = White	Blank = No accessories MS = Motion Sensor (BL-PIR823-IN) EM = Emergency Battery Backup (-EMBK-CNP-WH)

R2CNP Series

LED Round Canopy

Fixture Type:

Project Name

Location:

Date:

Product Information

WATTAGE	4000K		5000K	
	LUMEN	EFFICACY	LUMEN	EFFICACY
30W	3900 lm	130 lm/W	3900 lm	130 lm/W
45W	5850 lm	130 lm/W	5850 lm	130 lm/W
60W	7800 lm	130 lm/W	7800 lm	130 lm/W
90W	11700 lm	130 lm/W	11700 lm	130 lm/W

Optional Accessories



Internal Motion Sensor

- SKU: BL-PIR823-IN

- Internal motion sensor is field installed or pre-installed by request



External Emergency Battery Backup

- SKU: EMBK-CNP-WH

- External battery backup is field installed or pre-installed by request

- Delivery 900 lumen for 90 minutes emergency operation

For the accessories detail, please visit www.lironlighting.com/product_categories/add-on-accessories