

Fixture Type:

Project Name:

Location:

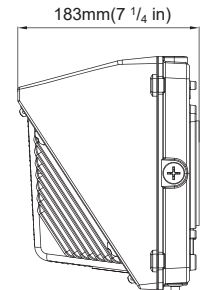
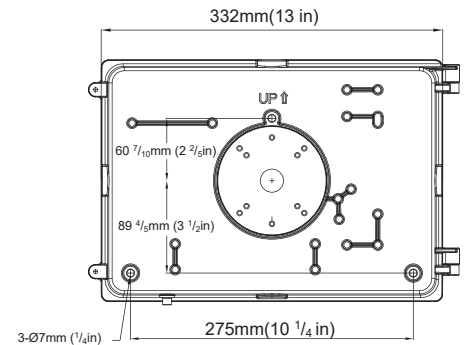
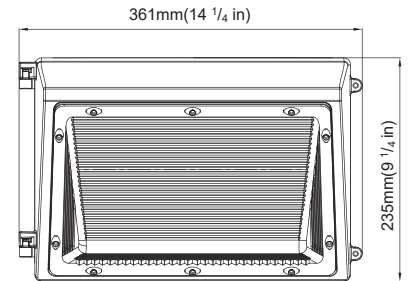
Date:

Features

- Rugged die cast aluminum housing and seals to housing gasket with stainless steel screws
- Dark bronze powder coat finish
- Polycarbonate optical lens with UV stabilizer
- 1/2 inch threaded hole for easier wire connections
- J box or surface mounting
- Compatible with internal photocell
- Standard DLC 5.1 Listed



Dimension



Product Performance Standard

Size	14 1/4" L x 7 1/4" W x 9 1/4" H	Power Factor	90%
Weight	6 lb	LED Lifespan	50,000 Hrs
IP Rate	IP65	Dimmable	Non Dimmable
Color Temp	4000K-5000K	Photocell	YES
CRI	70	Warranty	5 Years
Input Voltage	120-277V / 347- 480V	Ambient Operation Temperature	-40C° (-40°F) ~ 40C° (104°F)

Ordering Guide Example: LEDWP 90W 50K

Fixture Type	Wattage	Color Temp.	Voltage	Finish	² Optional Accessories
TWP1L (LEDWP)	90 W 125W	40K=4000K 50K=5000K	Blank = 120-277V HV= 347-480V	Standard finish: Blank = Dark Bronzed Premium finish: BK = Black WH = White	Blank = No Accessories PC = Photocell (-WPPC)

Note: 1. Premium finish incur on additional cost, contact factory for MOQ and availability.

Fixture Type:

Project Name:

Location:

Date:

Product Information

4000K			5000K	
WATTAGE	LUMEN	EFFICACY	LUMEN	EFFICACY
90W	10000lm	111lm/W	10500lm	117lm/W
125W	14500lm	116lm/W	15000lm	120lm/W

Optional Accessories



Internal Button Photocell

-SKU: WPPC

-Internal photocell is field installed or pre-installed by request

Fixture Type:

Project Name:

Location:

Date:

Installation Guide

1. Junction box Mounting

- Loosen screws and remove the front case set carefully from the back plate.
(Angle between front case and back plate varies from 0 degree to 45 degree.
Push up to take down the front case.)
- Remove 1/2" plug in center (B) for wiring, the fixture supports standard 3 1/4" and 4" Junction box.
- Attach the back plate on the wall, use the supplied gaskets for a weather tight seal.
- Finish wiring (Black for Line, White for Neutral and Yellow Green for Ground).
- Replace the lens set on the hinges, make connections and close the lens set then tighten the screws.

2. Conduit Mounting

- Loosen screws and remove the front case set carefully from the back plate.
(Angle between front case and back plate varies from 0 degree to 45 degree.
Push up to take down the front case.)
- Remove 1/2" plug from where you intend to feed conduit .
- Drilling out the holes (C) to secure it on the wall with choosing proper screws.
- Finish wiring (Black for line, white for Neutral and Yellow-Green for Ground).
- Replace the lens set on the hinges, make connections and close the lens set then tighten the screws.

3. Outdoor Flush Mounting

- Loosen screws and remove the front lens set carefully from the back plate.
- B Hole 1/2" dia. Screw the hole where you intend to connect the wire from the wall.
- Drilling out the holes (C) to secure it on the wall by choosing the proper screws.
- Finish wiring (Black for line, white for Neutral and Yellow-Green for Ground)
- Replace the lens set on the hinges, make connections and close the lens set then tighten the screws.

Note: To ensure waterproofing seal, apply weatherproof silicone sealant around the edge of the wall mounting box and junction box. This is especially important with an uneven wall surface. Silicone all plugs and unused conduit entries

