

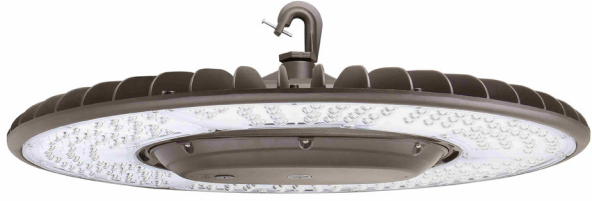
UHB5 Series

LED UFO HIGH BAY

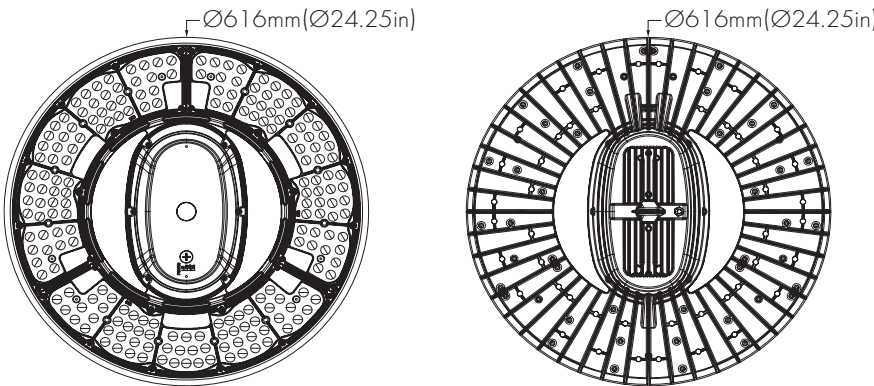
Fixture Type:
Project Name
Location:
Date:

Features

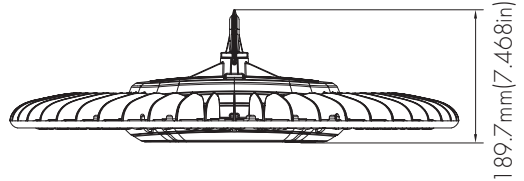
- Ultra-high luminous flux large round high bay for use large indoor environments with a clearance of up to 30 FT.
- Two wattage options 350W and 410W. Featuring wattage selectable allow you to customize the wattage on-site to suit your specific lighting needs.
- Suitable for high operating temperature up to 65°C (149°F) for below 300W.
- Durable die-cast aluminum housing with heat dissipating fins gives superior thermal performance.
- Premium powder coat dark bronze finish provides resistance to corrosion and weathering.
- Standard hook mount installation come with safty hook and 6' power cable. Optional 3/4" conduit size pendant mount.
- Optional plug and play motion sensor for reducing energy consumption and operating costs.



Dimensions



Weight:
 350W: 7.858kg(17.324lbs)
 410W: 8.833kg(19.473lbs)



Specification

Material	Durable, die-cast aluminum housing	Efficacy	Up to 171 lm/W
Lens	Polycarbonate lens	LED Life Span	100,000 hrs based on TM-21 calculation
Beam angle	120 degree	Dimmable	0-10V Dimming
IColor Temp	4000K or 5000K	Lumen Package	26,600 lm to 72,000lm
CRI	70	Warranty	5 Years
Input Voltage	120-277V/347-480V	Ambient Operation Temperature	Above 300W -40°C (-40°F) to 55°C (131°F) Below 300W -40°C (-40°F) to 65°C (149°F)
Installation	Power Cord Length 6FT Hook mount (Default) 3/4" conduit size pendant mount (Optional)	Listing	UL Listed IP65

UHB5 Series

LED UFO HIGH BAY

Fixture Type:

Project Name

Location:

Date:

Ordering Guide

Example: UB5-UW50K-HV-350W

Fixture Type	Wattage	Color Temp.	Voltage	Maximum Wattage
UHB5	UW = Wattage Selectable	40K =4000K 50K =5000K	Blank =120-277V HV =347-480V	350W =Maximum Wattage 350W 410W =Maximum Wattage 410W

Optional Accessories

Motion Sensor



MS01 (Default)
(SKU:HD09V-PIR)
=12VDC Plug and Play PIR
manually setup capable
motion sensor 3.5mm audio
plug.

MS02
(SKU:BL-ANT5-4T-MIC)
= 12/24V Plug and play 3
pin microwave motion sensor
3.5mm audio plug.

Emergency Battery



EM
(SKU:EMBK-UHB-32W)
=32W Emergency battery
backup,
External field install.

UHB5 Series

LED UFO HIGH BAY

Fixture Type:

Project Name

Location:

Date:

Product Information

UHB5-350W		4000K		5000K	
WATTAGE	Operation Temperature	LUMEN	EFFICACY	LUMEN	EFFICACY
350W	-40°C (-40°F) to 55°C (131°F)	62,000 lm	177lm/W	62,000 lm	177lm/W
280W	-40°C (-40°F) to 65°C (149°F)	51,000 lm	182lm/W	51,000 lm	182lm/W
210W	-40°C (-40°F) to 65°C (149°F)	39,000 lm	186lm/W	39,000 lm	186lm/W
140W	-40°C (-40°F) to 65°C (149°F)	19,000 lm	189lm/W	19,000 lm	189lm/W

UHB5-410W		4000K		5000K	
WATTAGE	Operation Temperature	LUMEN	EFFICACY	LUMEN	EFFICACY
410W	-40°C (-40°F) to 55°C (131°F)	72,000 lm	176lm/W	72,000 lm	176lm/W
328W	-40°C (-40°F) to 55°C (131°F)	59,000 lm	180lm/W	59,000 lm	180lm/W
246W	-40°C (-40°F) to 65°C (149°F)	45,500 lm	185lm/W	45,500 lm	185lm/W
164W	-40°C (-40°F) to 65°C (149°F)	31,000 lm	189lm/W	31,000 lm	189lm/W

UHB5 Series

LED UFO HIGH BAY

Fixture Type:
Project Name
Location:
Date:

Optional Accessories

Motion Sensor:



PIR Plug and Play Manually Adjustable Motion Sensor 12V 3.5mm audio plug SKU:HD09V-PIR

- 3.5mm audio plug passive infrared motion sensor.
- With daylight harvesting and photocell function.
- The rotating switch is built into the motion sensor and allows you to manually adjust the standby dimming level and hold time without needing a remote control.
- Configure setting by remote control HD06R (sold separately).
- Default setting Detection Area - 100%, Hold time - 5S, Daylight Threshold disable Standby Period - 0S, Standby Dimming Level - 10%.



Microwave Plug and Play Motion Sensor 12/24V 3.5mm audio plug SKU: BL-ANT5-T4-MIC

- 3.5mm audio plug microwave motion sensor 12-24V DC
- Factory default setting: 100% sensitivity, Hold time 5min, Dimming level: 30%, Dimming time: 60mins.

Emergency Battery Backup:

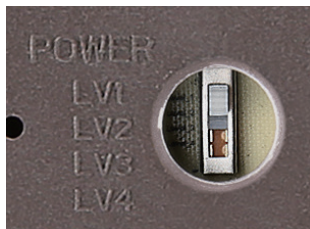


External Emergency Battery Backup

- **SKU:EMBK-UHB-32W**
- External battery backup is field install.
- 90 minutes emergency operation, provide up to 4,200 lm

WATTAGE SELECTABLE

This fixture has the function of adjusting the lumens output on-site.



WATTAGE SELECT			
LV4	LV3	LV2	LV1
Each model supports 4 positions wattage regulation : LV1, LV2, LV3, LV4			



Plug-and-Play Sensor (optional)
Sensor allows for security and energy saving.